

THIS DRAWING IS UNPUBLISHED.

RELEASED FOR PUBLICATION

© COPYRIGHT

ALL RIGHTS RESERVED.

LOC HB

DIST

REVISIONS

P	LTR	DESCRIPTION	DATE	DWN	APVD
C		TE LOGO CHANGE; ECO-18-008295	30-MAY-18	TOD	K.T
D		OBSOLETE PN; ECO-19-007441	21-AUG-19	TOD	K.T

D

C

B

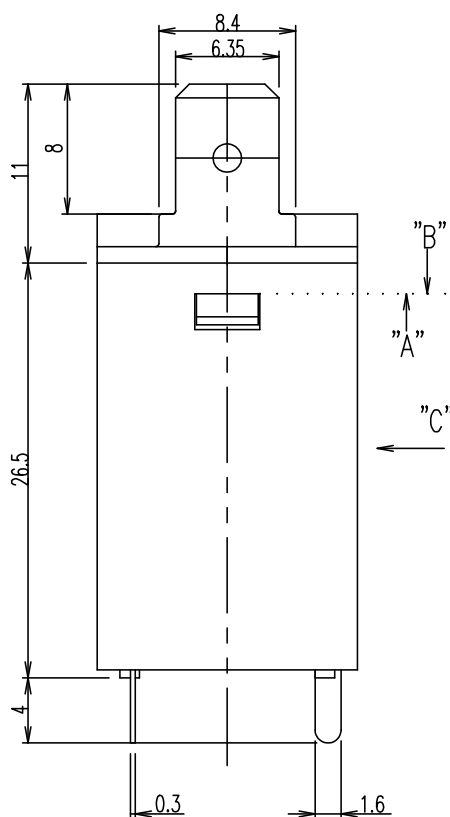
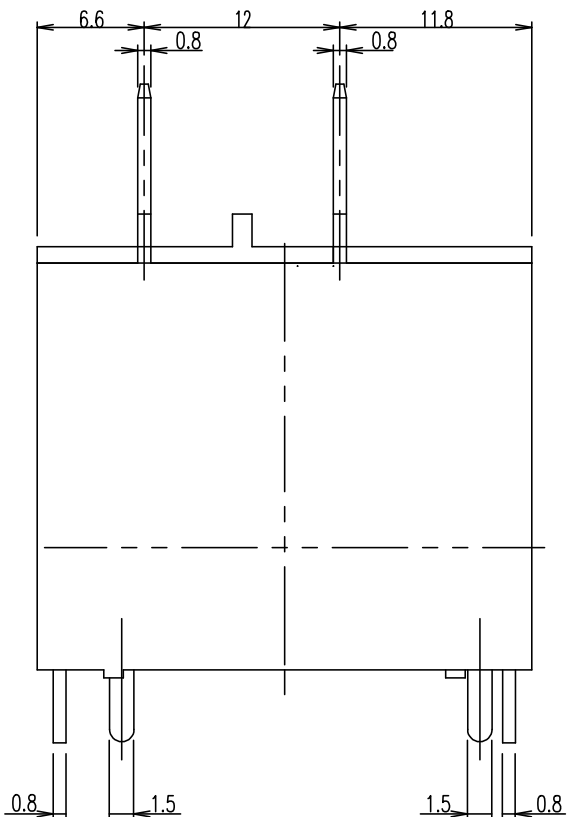
A

D

C

B

A

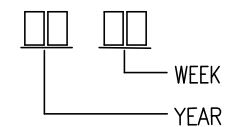


OBSOLETE

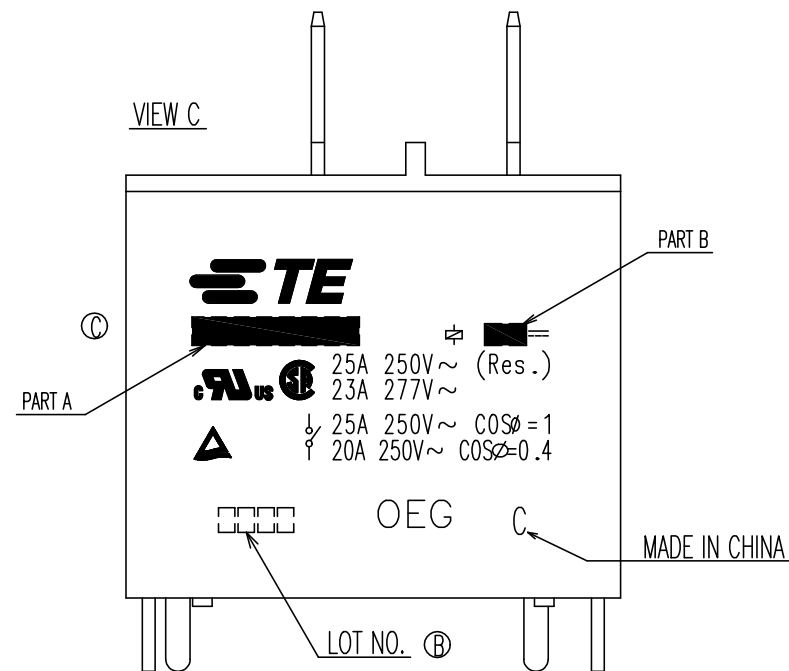
Diagram dimension	Tolerance
0.99mm max.	±0.1mm
1 - 2.99mm	±0.2mm
3mm min.	±0.3mm

ⓑ NOTE:

LOT NO. SYSTEM AS FOLLOWING:



VIEW C



DIMENSIONS: mm		TOLERANCES UNLESS OTHERWISE SPECIFIED:		DWN	H.SASAKI	TE Connectivity							
		0 PLC ± 1 PLC ± 2 PLC ± 3 PLC ± 4 PLC ± ANGLES ±		CHK	N.FUNAYAMA				NAME PCF-D1M CUSTOMER DRAWING				
MATERIAL SEE MATERIAL TABLE		FINISH -		APVD	A.NAGAI	SIZE	A3	CAGE CODE				00779	DRAWING NO
				CUSTOMER DRAWING	SCALE 3:1			SHEET 1 OF 2	REV D				

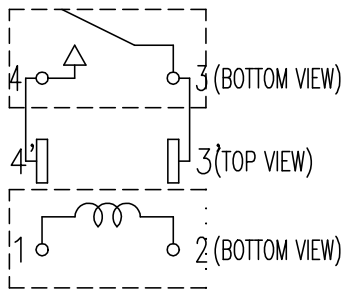
LOC
HB

DIST

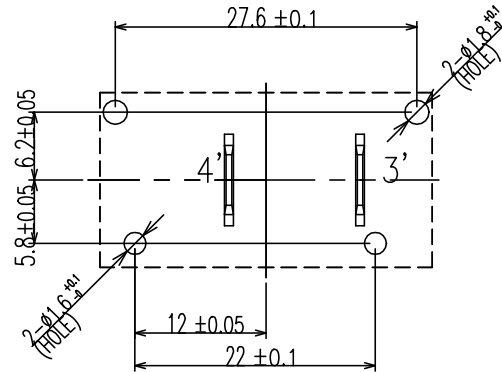
REVISIONS

P	LTR	DESCRIPTION	ECN	DATE	DWN	APVD

CONNECTION DIAGRAM



DRILLING DIAGRAM (BOTTOM VIEW)



OBSOLETE

Ⓞ OBSOLETE	2-1419146-4	PCF-148D1M,000	48V	PCF-148D1M	f
Ⓞ OBSOLETE	9-1419129-5	PCF-124D1M,000	24V	PCF-124D1M	e
Ⓞ OBSOLETE	9-1419129-2	PCF-112D1M,000	12V	PCF-112D1M	d
Ⓞ OBSOLETE	2-1419146-3	PCF-109D1M,000	9V	PCF-109D1M	c
Ⓞ OBSOLETE	2-1419146-2	PCF-106D1M,000	6V	PCF-106D1M	b
Ⓞ OBSOLETE	2-1419146-1	PCF-105D1M,000	5V	PCF-105D1M	a
STATUS	PART NO	DESCRIPTION	PART B	PART A	ITEM

RELAY TYPE

		EPOXY RESIN	SEAL	18
		POLYURETHANE Cu WIRE	MAGNETIC WIRE	17
UL 94V-0		PPS	CARD	16
UL 94V-0		PBT	CASE	15
UL 94V-0		PBT	BASE	14
UL 94V-0		PBT	BOBBIN	13
	SOLDER DIP	Cu ALLOY	COIL TERMINAL R	12
	SOLDER DIP	Cu ALLOY	COIL TERMINAL L	11
		STAINLESS	HINGE SPRING	10
		Aq ALLOY	STATIONARY CONTACT	9
		Aq ALLOY	MOVABLE CONTACT	8
		Cu ALLOY	STATIONARY SPRING	7
		Cu ALLOY	MOVABLE SPRING	6
	SOLDER DIP	Cu ALLOY	STATIONARY TERMINAL	5
	SOLDER DIP	Cu ALLOY	MOVABLE TERMINAL	4
	Ni PLATED	STEEL	CORE	3
	Ni PLATED	STEEL	ARMATURE	2
	Ni PLATED	STEEL	YOKE	1
INCOMBUSTIBILITY	TREATMENT	MATERIAL	DESCRIPTION	ITEM

<p>DIMENSIONS: mm</p>		<p>TOLERANCES UNLESS OTHERWISE SPECIFIED:</p> <p>0 PLC ±</p> <p>1 PLC ±</p> <p>2 PLC ±</p> <p>3 PLC ±</p> <p>4 PLC ±</p> <p>ANGLES ±</p>		<p>DWN</p> <p>CHK</p> <p>APVD</p>		<p>NAME</p> <p>PCF-D1M CUSTOMER DRAWING</p>	
<p>MATERIAL SEE MATERIAL TABLE</p>		<p>FINISH</p> <p>—</p>		<p>PRODUCT SPEC</p> <p>—</p>		<p>APPLICATION SPEC</p> <p>—</p>	
<p>CUSTOMER DRAWING</p>		<p>WEIGHT</p> <p>—</p>		<p>SIZE</p> <p>A3</p>		<p>CAGE CODE</p> <p>00779</p>	
<p>SCALE</p> <p>3:1</p>		<p>DRAWING NO</p> <p>2-1419146-1</p>		<p>RESTRICTED TO</p> <p>—</p>		<p>SHEET</p> <p>2 OF 2</p>	
<p>REV</p> <p>D</p>		<p>SCALE</p> <p>3:1</p>		<p>SHEET</p> <p>2 OF 2</p>		<p>REV</p> <p>D</p>	

TE TE Connectivity