

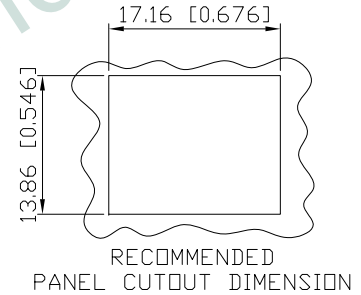
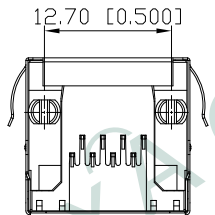
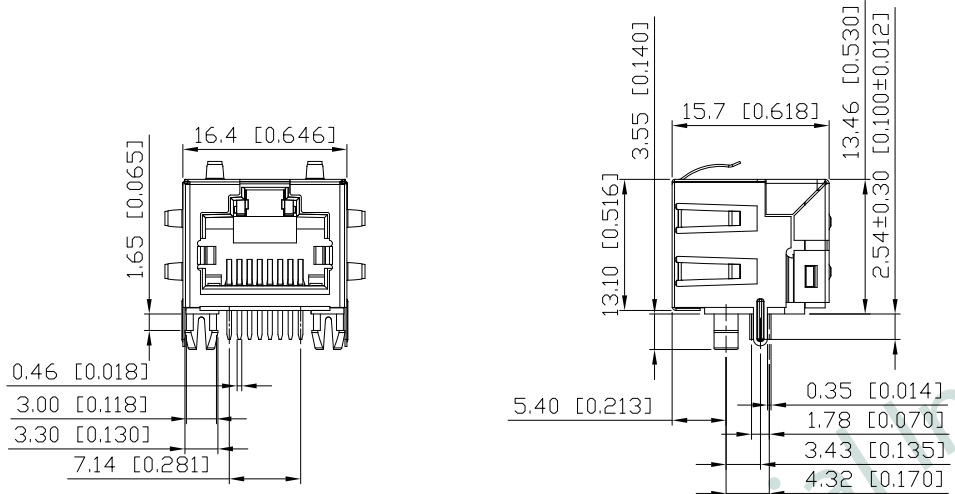
1. MECHANICAL DIMENSIONS :

REV.	DATE	DESCRIPTION
01	Aug. 21, '18	1st RELEASE



NOTES:

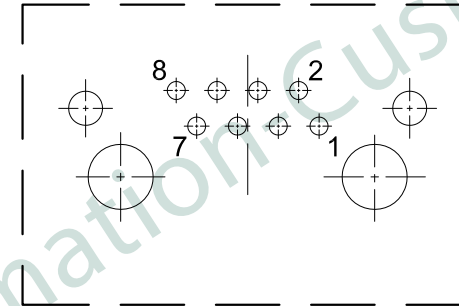
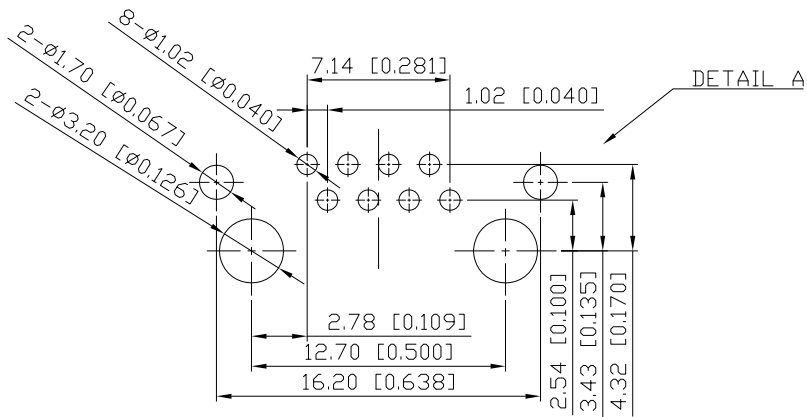
- MATERIAL:
HOUSING: HIGH THERMOPLASTIC, UL94V-0, BLACK
CONTACTS: T=0.35*0.46mm PHOS-BRONZE,
30u" GOLD PLATING ON CONTACT AREA,
NICKEL UNDERPLATING OVERALL
SHIELD: T=0.2mm COPPER ALLOY, NICKEL PLATING
- OPERATING TEMPERATURE: -40°C~+85°C
- INSERTION FORCE: 4 POUNDS MAX.
EXTRACTION FORCE: 4 POUNDS MAX.
- DURABILITY: 750 MATING CYCLED MIN.
- CAVITY CONFORMS TO FCC RULES AND REGULATIONS PART 68,
SUBPART F.
- UNSPECIFIED TOLERANCE: .XX ±0.25[0.010]
.X ±0.30[0.012]



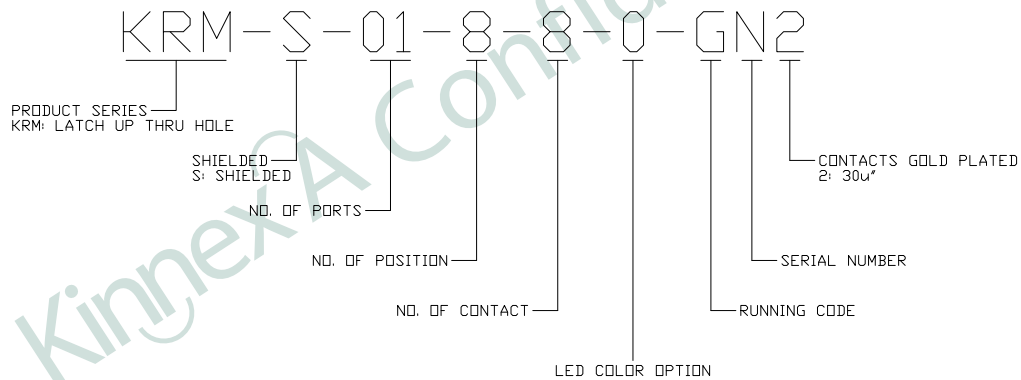
PART NO		KRM-S-01-8-8-0-GN2		
TITLE	RJ45 8P8C, W/O LED, SHIELDED			
REV : 01				
UNIT	DRAWN	CHKD	DATE	SHEET
mm[inch]	CINDY	VINCENT	Aug. 21, '18	1 of 4

ROHS Compliant

2. PCB LAYOUT :

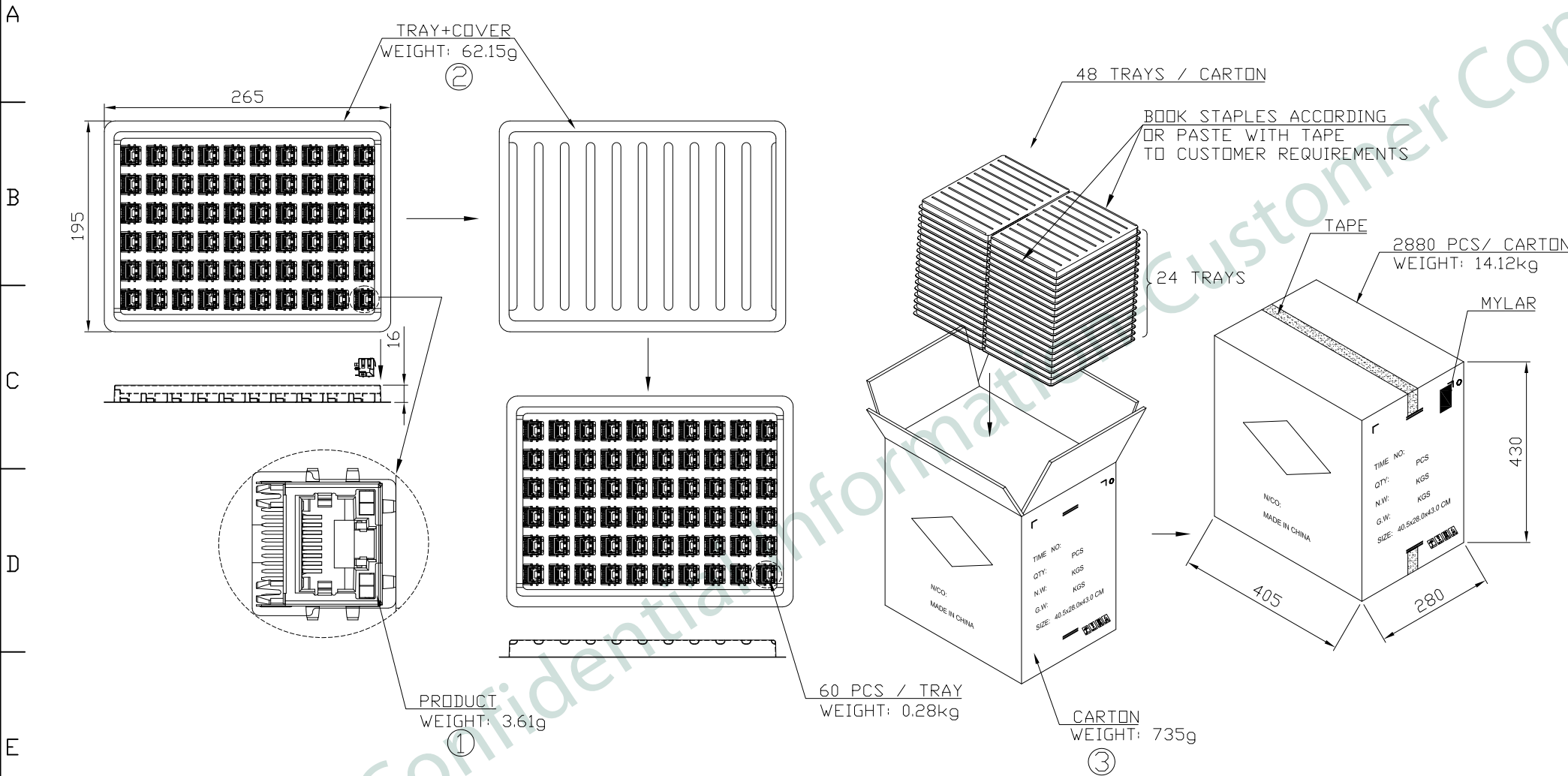


SUGGESTED PCB LAYOUT
(TOP VIEW) SCALE 2:1
DIMENSIONAL TOLERANCE: .XX ±0.08[0.003]



PART NO		KRM-S-01-8-8-0-GN2		
TITLE	RJ45 8P8C, W/O LED, SHIELDED			
REV : 01				
UNIT	DRAWN	CHKD	DATE	SHEET
mm[inch]	CINDY	VINCENT	Aug. 21, '18	2 of 4

3. MECHANICAL DIMENSIONS :

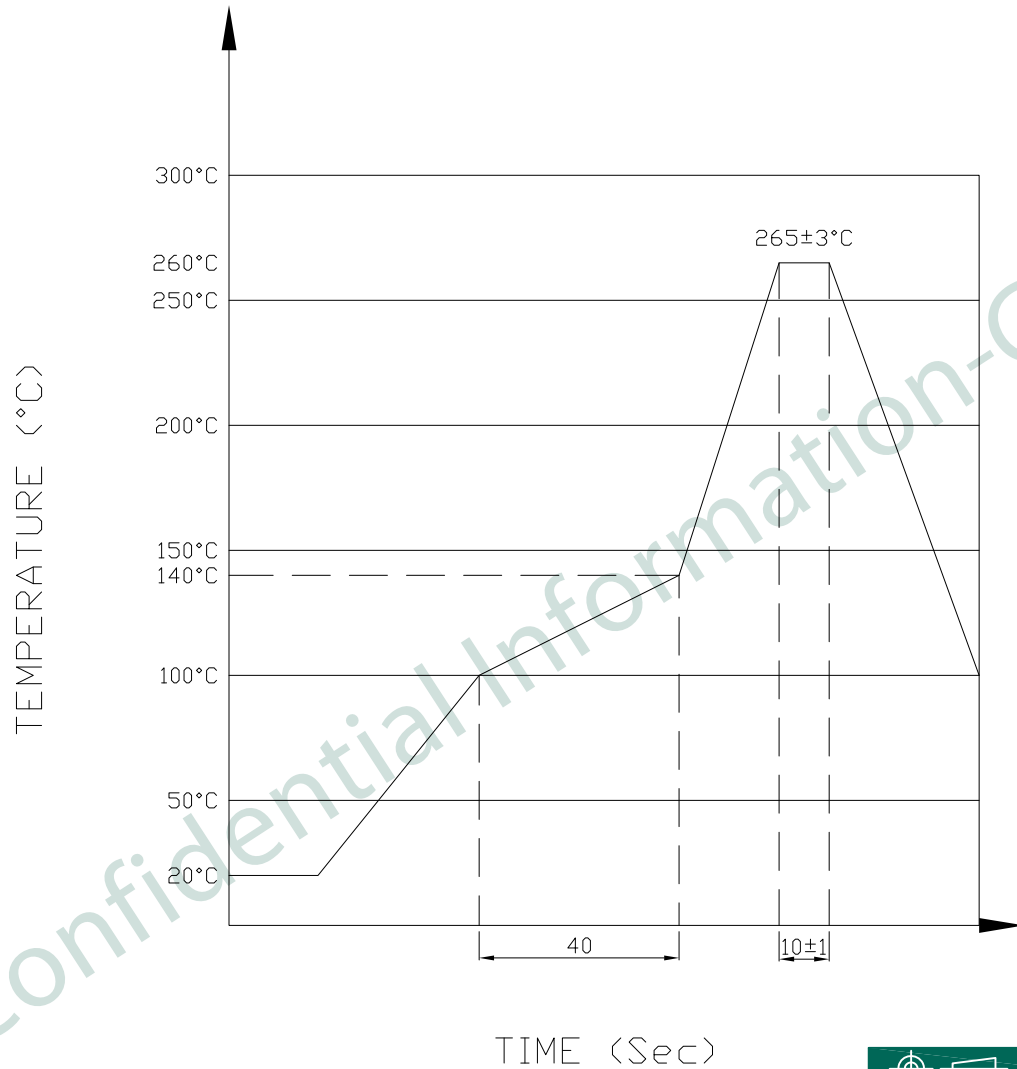


NO.	DEFINITION	PIECE WEIGHT
1	PRODUCT	3.61g
2	TRAY&COVER	62.15g
3	CARTON	735g

PART NO		KRM-S-01-8-8-0-GN2		
TITLE	RJ45 8P8C, W/O LED, SHIELDED			
REV : 01				
UNIT	DRAWN	CHKD	DATE	SHEET
mm[inch]	CINDY	VINCENT	Aug. 21, '18	3 of 4

ROHS Compliant

4. PROFILE OF WAVE SOLDER :



The measuring point for the specified temperature shall be on the soldered part of the lead

PART NO KRM-S-01-8-8-0-GN2				
TITLE	RJ45 8P8C, W/O LED, SHIELDED			
REV : 01				
UNIT	DRAWN	CHKD	DATE	SHEET
mm[inch]	CINDY	VINCENT	Aug. 21, '18	4 of 4