

Material and Finish

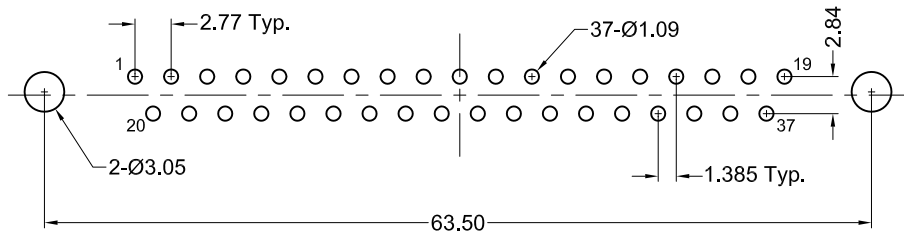
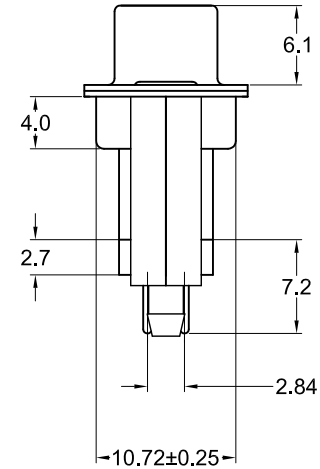
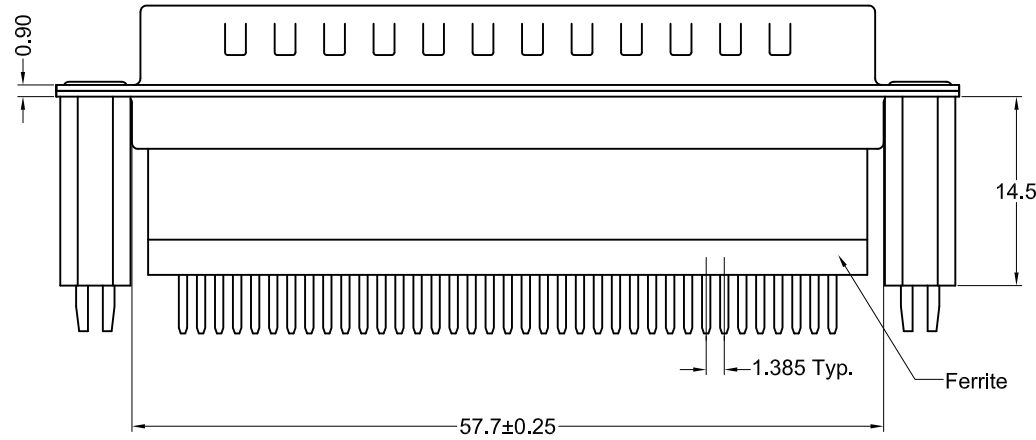
Shell: steel, Nickel Plated
 Insulator: PBT with glass-fiber reinforcement, UL 94V-0 rated, color - black

Contact Material: brass

Contact Plating Options:
 Standard: gold flash on contact area, tin on soldertails with entire contact nickel underplated
 15 Option: 15u" gold on contact area, tin on soldertails with entire contact nickel underplated
 30 Option: 30u" gold on contact area, tin on soldertails with entire contact nickel underplated

Electrical Specifications

Rated Current: 2A
 Rated Voltage: 30V RMS
 Dielectric Withstanding Voltage: 1000V AC (rms) for 1 min.
 Insulation Resistance: more than 1000 Megohm at 500V DC
 Contact Resistance: 13 milliohm max.
 Operating Temperature: -55°C to +105°C



Recommended PCB Layout (Top View)

Ordering Information	
Part Number	Contact Area Plating Finish
KF88X-CD-37P-BR	Gold Flash (standard option)
KF88X-CD-37P-BR15	15u" Gold (15 option)
KF88X-CD-37P-BR30	30u" Gold (30 option)

Ferrite Specifications	
Measured Value(OHM)	Test Frequency
20 MIN.	25 MHz.
50 MIN.	100 MHz.



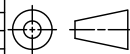
Tolerances
X.X ± 0.25
X.XX ± 0.15
Unless Stated Otherwise

REV.	DATE	DESCRIPTION	REV. BY	CHK. BY	DRAWN BY	DATE
A1	02/03/11	New Drawing	S. Vien	H. MA	S. Vien	04/01/10
A2	12/31/17	ECO#17-035	H. MA	C. Furumasu		

KF88X-CD-37P-BR

Vertical D-Sub, RoHS Compliant

Ferrite, 37 Pin Male, Boardlocks



UNITS
mm