

Customer Information Sheet

IF IN DOUBT - ASK

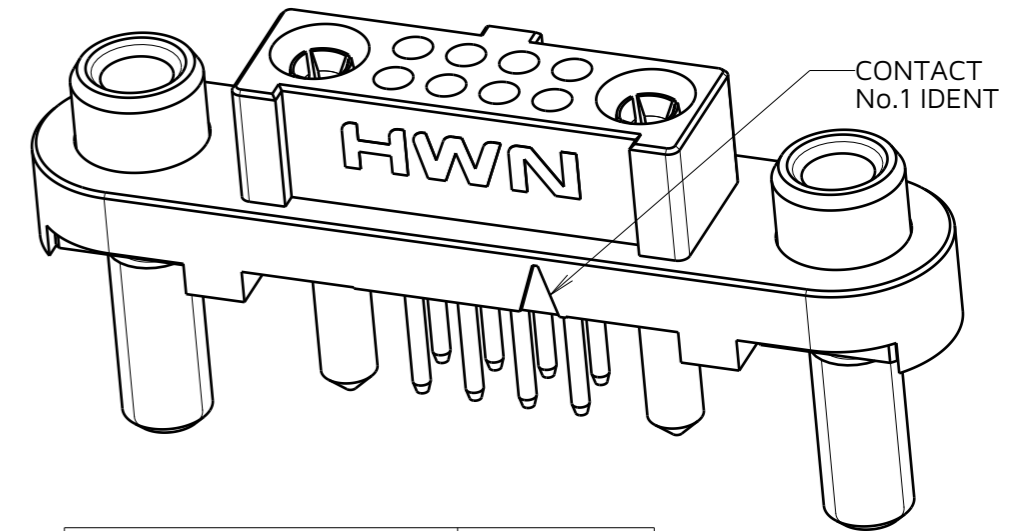
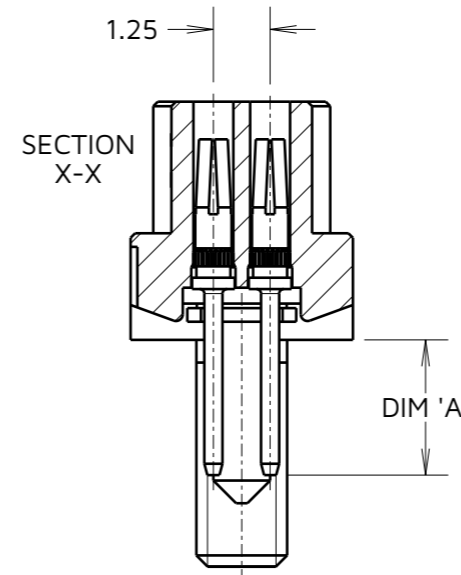
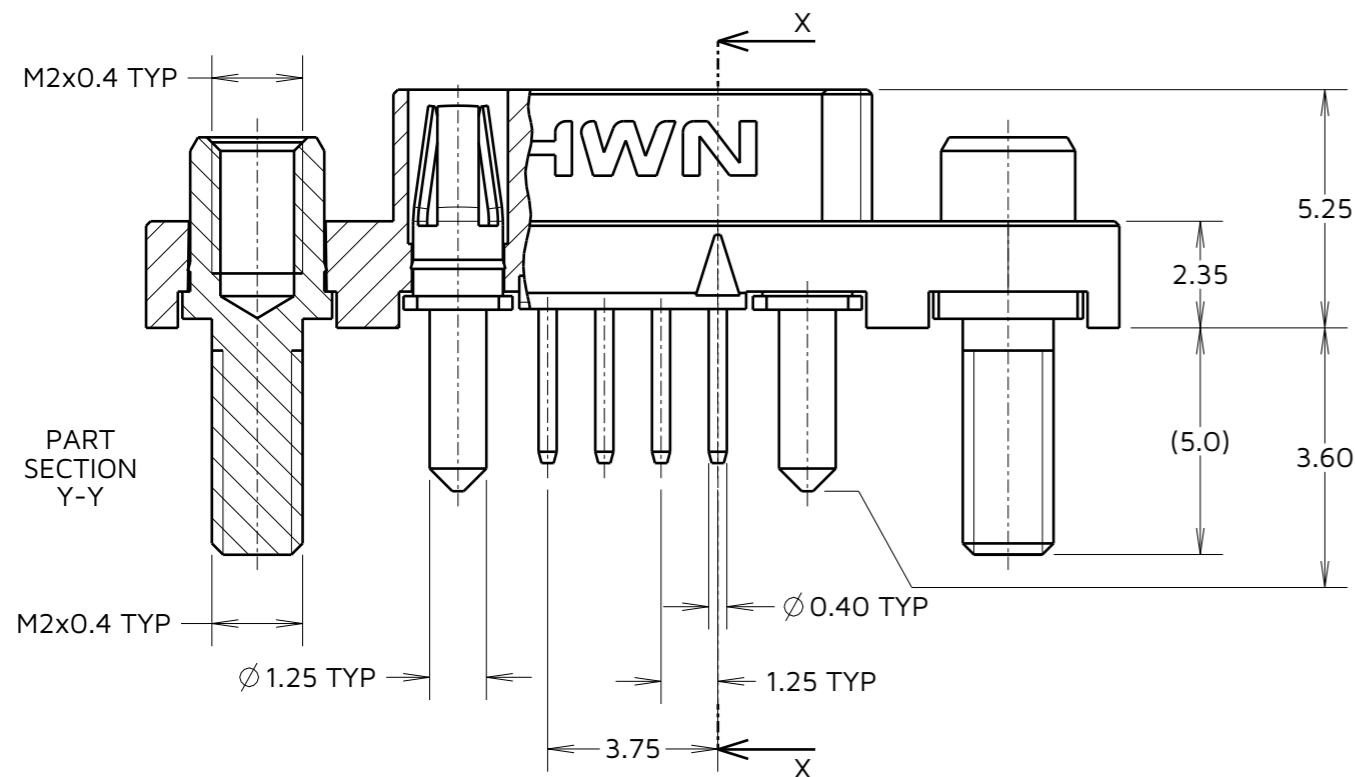
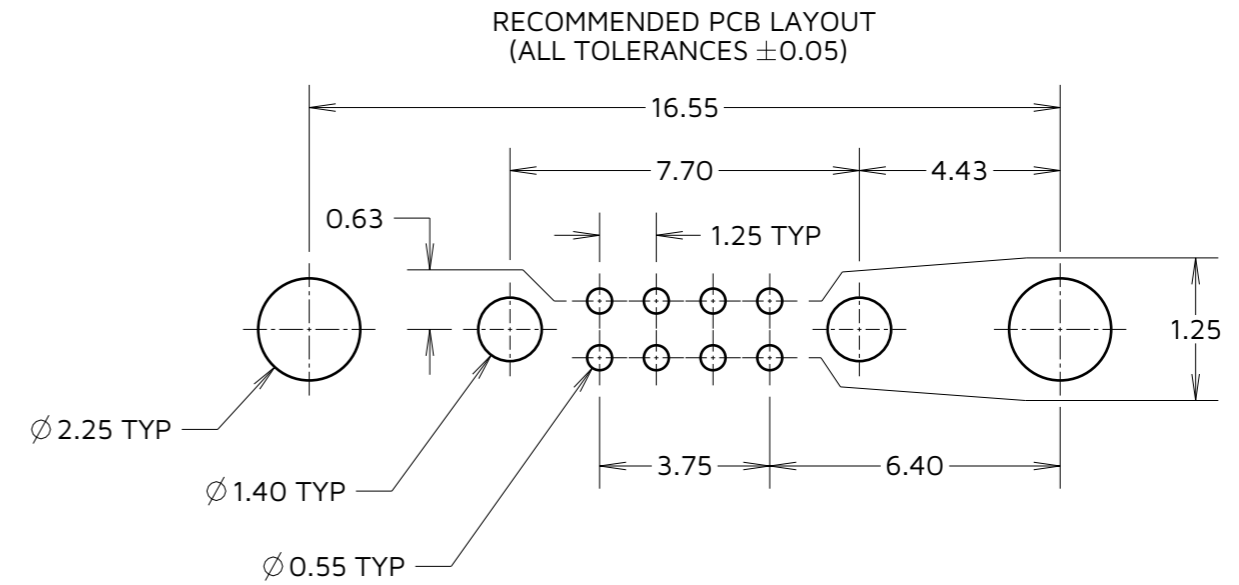
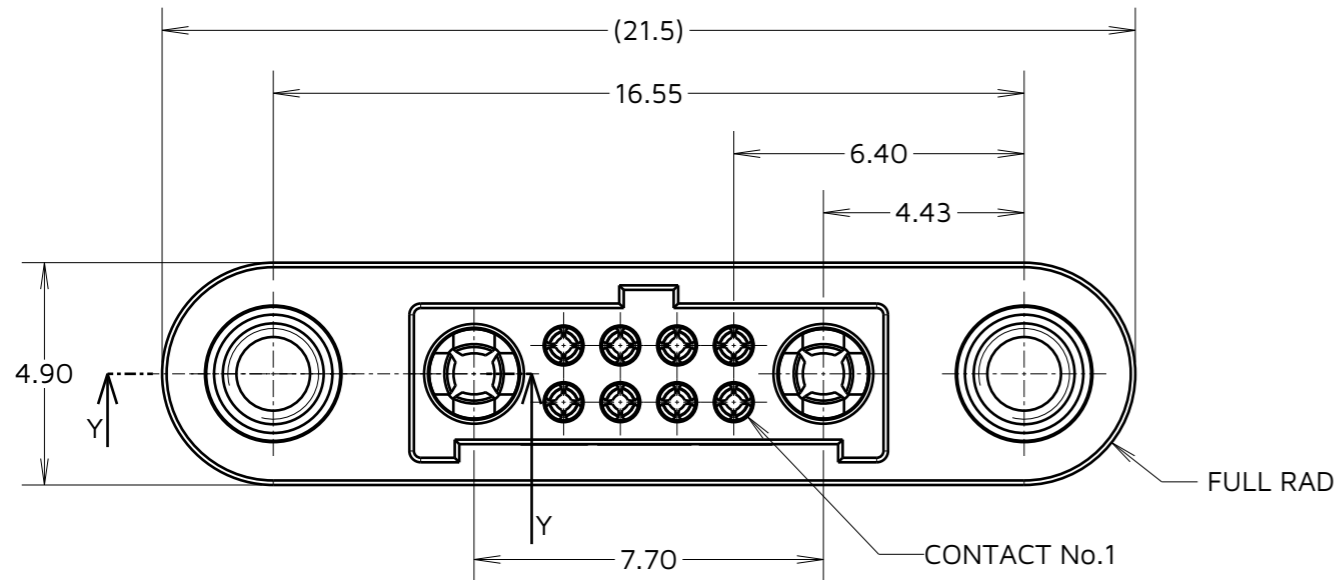
©

NOT TO SCALE

THIRD ANGLE PROJECTION

ALL DIMENSIONS IN mm

ORDER CODE:
G125-FVX0805F3-1AB1ABP
 3.00mm PC-TAILS = V1



ASSEMBLY P/No.	DIM 'A'
G125-FV10805F3-1AB1ABP	3.00

CONNECTOR AND PCB LAYOUT DETAILS ONLY
 SEE SHEET 5 FOR TAPE STRIP DETAILS

NOTES:

- FOR MATERIALS, FINISH AND SPECIFICATIONS SEE COMPONENT SPECIFICATION C125XX (LATEST ISSUE) FOR FULL SPECIFICATION.
- FOR BOARD MOUNT NUTS ORDER SEPARATELY PART NUMBER:
 G125-4500000B HEXAGONAL THIN NUT - BAG OF 12 OR
 G125-4510000B ROUND SLOTTED NUT - BAG OF 12.

MGP	2	18.05.23	32485
NAME	ISS.	DATE	CN/CO
APPROVED: MGP			
CHECKED: RTP			
DRAWN: MARK G PLESTED			
ASSEMBLY DRG:			

HARWIN

www.harwin.com

TOLERANCES
 X. = ±1mm
 X.X = ±0.50mm
 X.XX = ±0.20mm
 X.XXX = ±0.01mm
 ANGLES = ±5°
 UNLESS STATED

THIS DRAWING AND ANY INFORMATION OR DESCRIPTIVE MATTER SET OUT HEREON ARE CONFIDENTIAL AND COPYRIGHT PROPERTY OF THE HARWIN GROUP AND MUST NOT BE DISCLOSED, LOANED, COPIED OR USED FOR MANUFACTURING, TENDERING OR FOR ANY OTHER PURPOSE WITHOUT THEIR WRITTEN PERMISSION.

MATERIAL:
 SEE ABOVE

TITLE:
**G125 MT SERIES FEMALE
 VERTICAL PC TAIL CONNECTOR**

DRAWING NUMBER:
G125-FVX0805F3-1AB1ABP

Customer Information Sheet

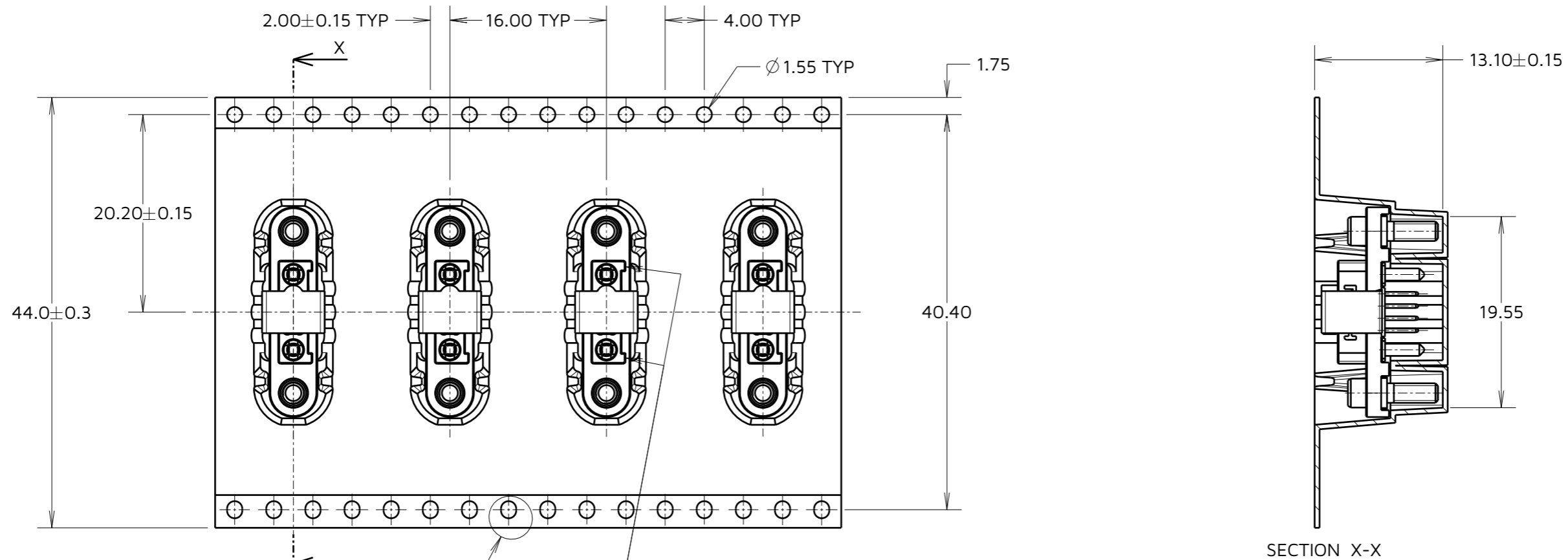
IF IN DOUBT - ASK

©

NOT TO SCALE

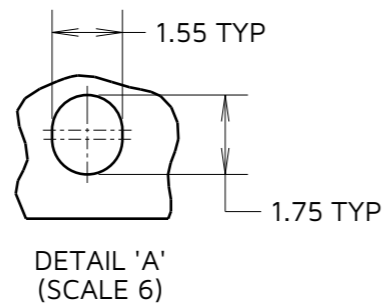
THIRD ANGLE PROJECTION

ALL DIMENSIONS IN mm

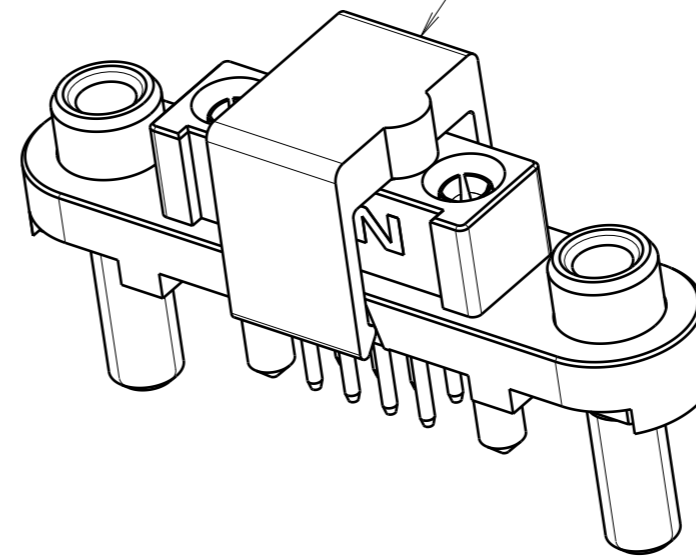


ELONGATED SPROCKET HOLE SEE DETAIL 'A'

THE POLARISING FEATURES ARE NEAREST THE FREE END WHEN ON A REEL.



PICK & PLACE CAP 4.3 x 6.3mm.
1.65mm ABOVE CONNECTOR BODY.



TAPE STRIP DETAILS ONLY, SEE SHEET 4
FOR CONNECTOR AND PCB LAYOUT DETAILS

- NOTES:
- COMPONENTS ARE ORIENTATED IN TAPE POCKETS AS SHOWN.
 - COMPONENTS ARE SUPPLIED IN STRIPS OF TAPE WITH A QUANTITY OF 10 CONNECTORS PER STRIP.
 - LARGE QTY'S MAY BE SHIPPED ON A REEL AND MAY NOT HAVE A LEADER.
 - FOR PARTS ON A REEL SUITABLE FOR AUTOMATIC MACHINE PLACEMENT PLEASE ORDER G125-FVX0805F3-1AB1ABR.

MGP	2	18.05.23	32485
NAME	ISS.	DATE	CN/CO
APPROVED: MGP			
CHECKED: RTP			
DRAWN: MARK G PLESTED			
ASSEMBLY DRG:			

HARWIN

www.harwin.com

TOLERANCES
X. = ±1mm
X.X = ±0.50mm
X.XX = ±0.20mm
X.XXX = ±0.01mm
ANGLES = ±5°
UNLESS STATED

THIS DRAWING AND ANY INFORMATION OR DESCRIPTIVE MATTER SET OUT HEREON ARE CONFIDENTIAL AND COPYRIGHT PROPERTY OF THE HARWIN GROUP AND MUST NOT BE DISCLOSED, LOANED, COPIED OR USED FOR MANUFACTURING, TENDERING OR FOR ANY OTHER PURPOSE WITHOUT THEIR WRITTEN PERMISSION.

MATERIAL:
SEE ABOVE

TITLE:
G125 MT SERIES FEMALE
VERTICAL PC TAIL CONNECTOR

DRAWING NUMBER:
G125-FVX0805F3-1AB1ABP

SHT
5 OF 5