

Front adapters - FLKM S115/S7/FLK50/PLC/SO137 - 2306294

Please be informed that the data shown in this PDF Document is generated from our Online Catalog. Please find the complete data in the user's documentation. Our General Terms of Use for Downloads are valid (<http://phoenixcontact.com/download>)



Converter for SIMATIC® S5-115 on 50- pos. FLK strip over which an S7 control can be coupled. Conversion: 6ES5 420-7LA11 / 6ES5 430-7LA11 on 6ES7 321-1BL00-0AA0 or 6ES5 441-7LA11 / 6ES5 451-7LA11 on 6ES7 322-1BL00-0AA0

Product description

The old SIMATIC® S5 115 plug is plugged into the VARIOFACE-S5-S7 adapter, the connection to SIMATIC® S7 400 or SIMATIC® S7 300 is via a VARIOFACE system cable, e.g. FLK 50/EZ-DR/.../KONFEK and the VARIOFACE front adapter for SIMATIC® S7 FLKM 50-PA-S400 or FLKM 50-PA-S300.



Key commercial data

Packing unit	1 pc
Custom tariff number	85369010
Country of origin	Germany

Technical data

General

Nominal voltage U_N	24 V AC/DC
Max. permissible current	1 A (per path)
Max. permissible total current	2 A (per byte)
Connection type, connector	IDC/FLK pin strip (2.54 mm)
Number of connectors	1
No. of positions, connector	50
Mounting position	any
Standards/regulations	DIN EN 50178
	IEC 62103
Rated surge voltage / insulation	0.5 kV / basic insulation
Rated insulation voltage	50 V
Pollution degree	2
Surge voltage category	II

Front adapters - FLKM S115/S7/FLK50/PLC/SO137 - 2306294

Technical data

Ambient conditions

Ambient temperature (operation)	-20 °C ... 50 °C
Ambient temperature (storage/transport)	-20 °C ... 70 °C

Supported controller

Controller	SIEMENS S5-115 U
- suitable I/O card	6ES5 420-7LA11
	6ES5 430-7LA11
	6ES5 441-7LA11
	6ES5 451-7LA11

Classifications

eCl@ss

eCl@ss 4.0	27250313
eCl@ss 4.1	27250313
eCl@ss 5.0	27250313
eCl@ss 5.1	27250313
eCl@ss 6.0	27249205
eCl@ss 7.0	27249205
eCl@ss 8.0	27249205

ETIM

ETIM 2.0	EC000237
ETIM 3.0	EC000237
ETIM 4.0	EC000237
ETIM 5.0	EC002584

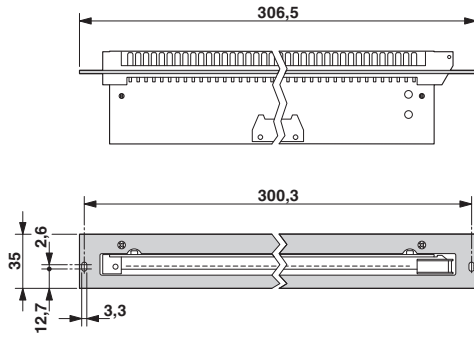
UNSPSC

UNSPSC 6.01	30211824
UNSPSC 7.0901	39121421
UNSPSC 11	39121421
UNSPSC 12.01	39121421
UNSPSC 13.2	39121421

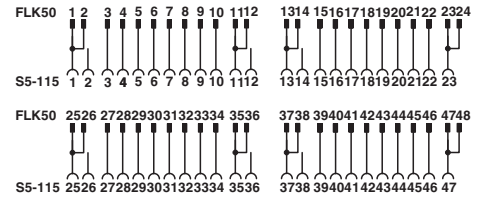
Drawings

Front adapters - FLKM S115/S7/FLK50/PLC/SO137 - 2306294

Dimensioned drawing



Circuit diagram



Connection scheme: FLKM S115/S7/FLK50/PLC/SO137