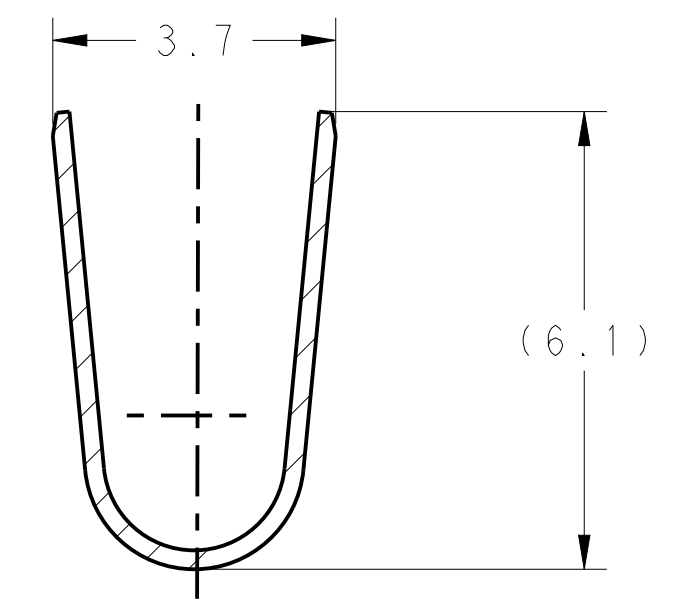
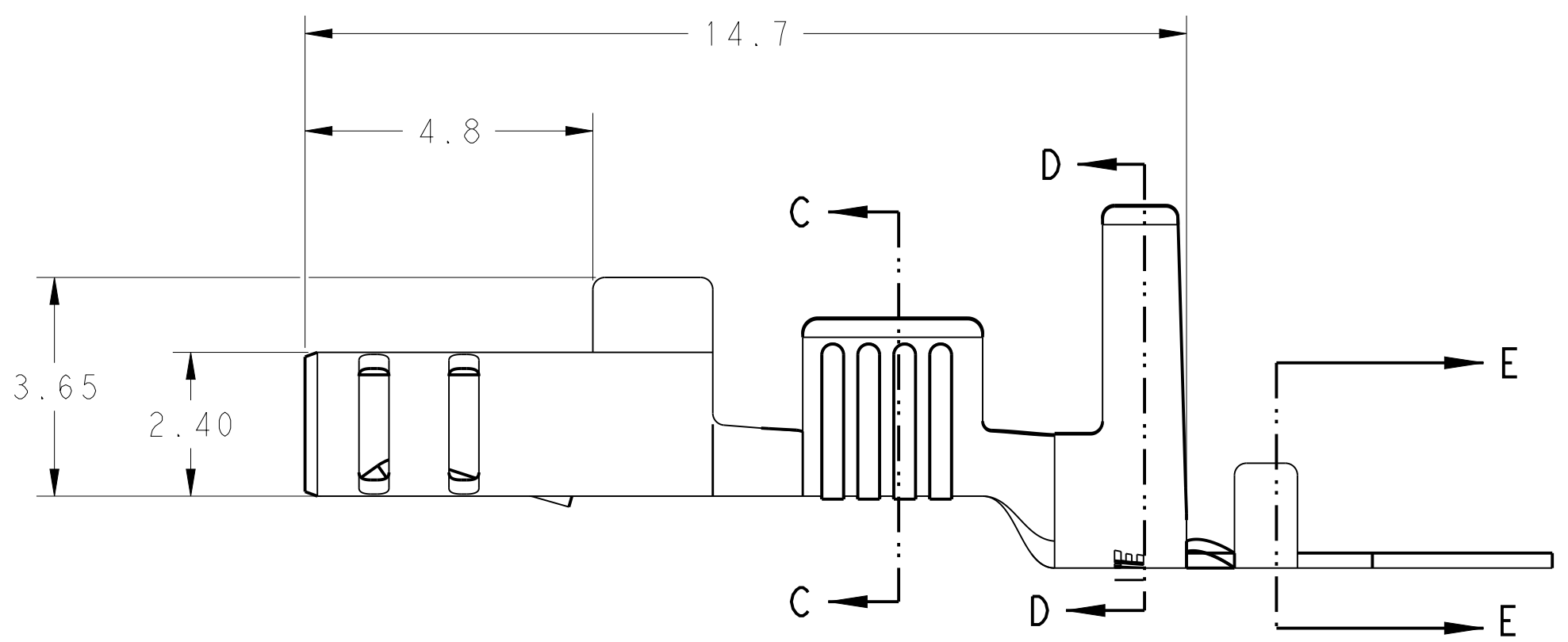
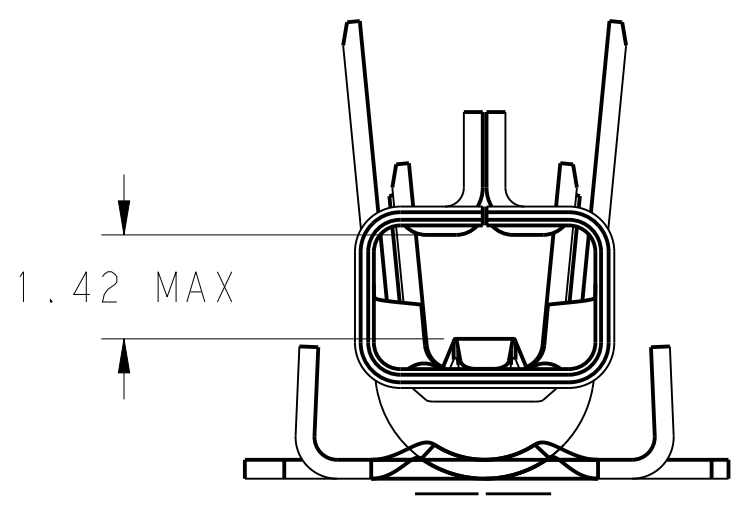
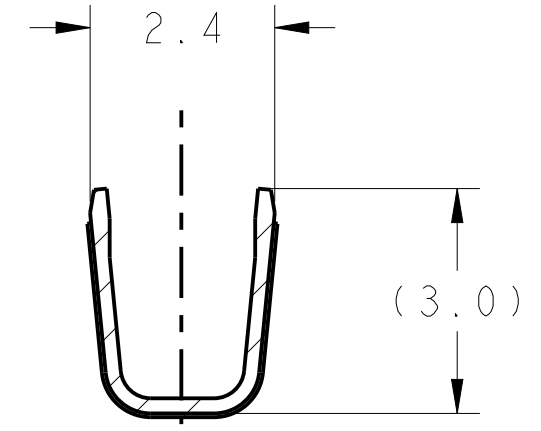
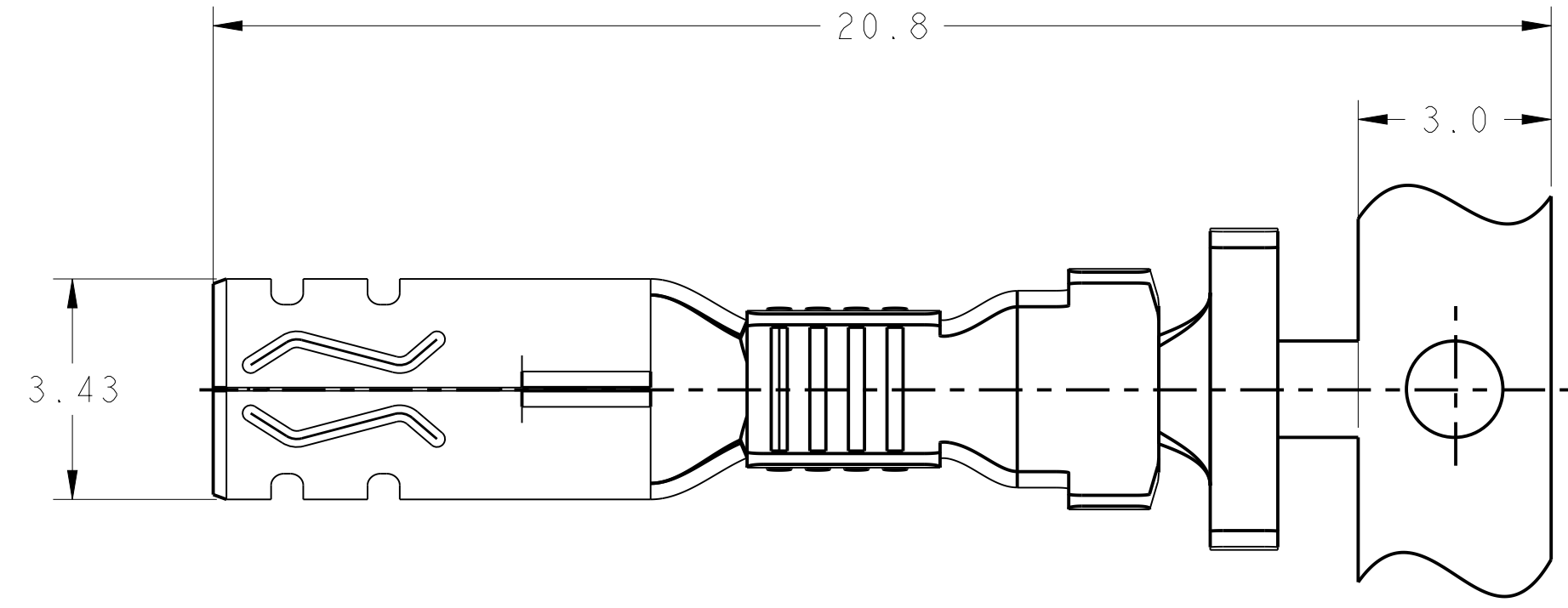
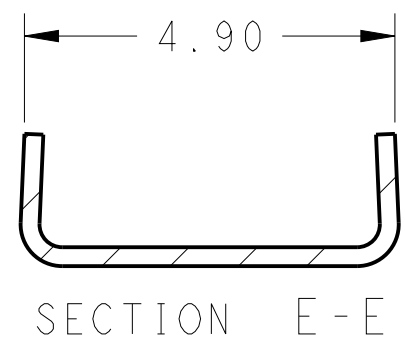
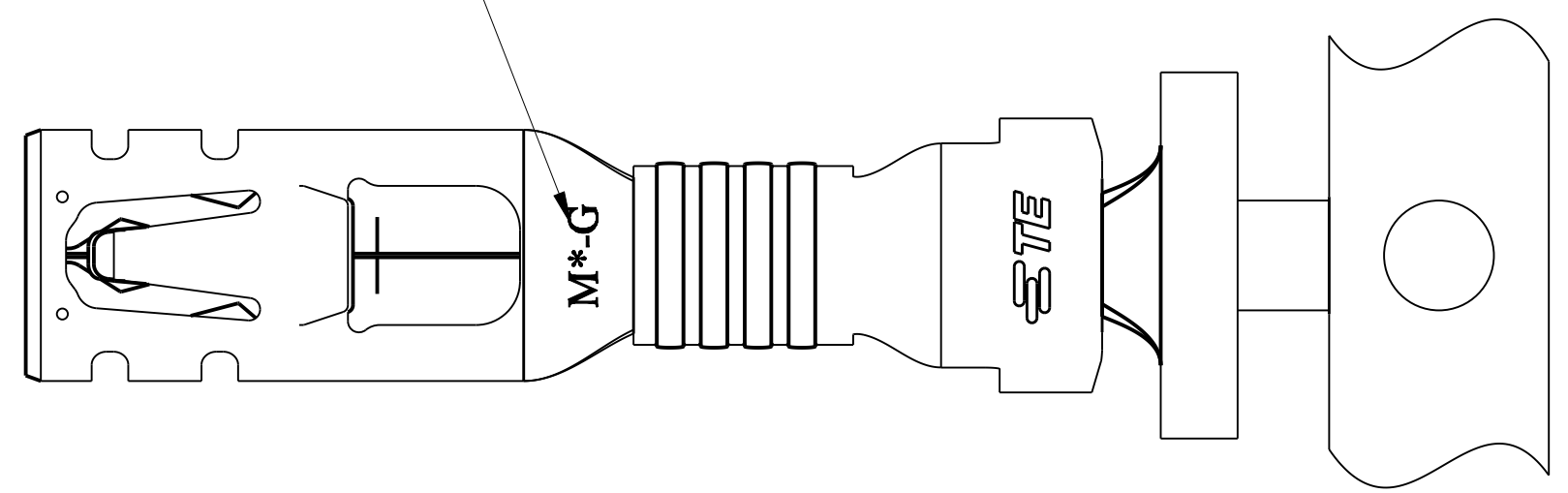


THIS DRAWING IS UNPUBLISHED. RELEASED FOR PUBLICATION 20  
 © COPYRIGHT 20 BY - ALL RIGHTS RESERVED.

REVISIONS				
P	LTR	DESCRIPTION	DATE	APVD
E		REVISED PER ECR-21-100678	08APR2021	SS VS



MATERIAL/SIZE MARK



1. MATERIAL: COPPER ALLOY, PRE TIN PLATING.
2. RECOMMENDED WIRE RANGE: 2x20 AWG, 1x18+1x22 AWG (TOTAL CMA 2000-2620) COPPER STRANDED
3. APPLICABLE INSULATION DIAMETER: 2.2-2.8 MM EACH WIRE
4. APPLICABLE MATED PLUG HOUSING P/N:  
 \*-1971773-\*/\*-1971776-\*/\*-1971876-\*/  
 /\*-2232265-\*/\*-2232266-\*/\*-2232357-\*

- SUPERSEDED BY 1971237-2
- WIRE SIZE INDICATOR "G" = 2x20 AWG, 1x18+1x22 AWG

HIGH(150°C)	M0-G	1971237-2
STANDARD(105°C)	M4	1971237-1
TEMP. RATING	MAT/SIZE MARK	PART NO

THIS DRAWING IS A CONTROLLED DOCUMENT.

DIMENSIONS:	TOLERANCES UNLESS OTHERWISE SPECIFIED:	DWN TOMMY WU 9AUG2012	TE Connectivity
mm	0 PLC ±	CHK HAPYE WU 9AUG2012	
	1 PLC ±0.5	APVD YUHHONG MAO 9AUG2012	
	2 PLC ±0.30	PRODUCT SPEC 108-106118	
	3 PLC ±	APPLICATION SPEC 114-106118	
	4 PLC ±	WEIGHT -	
MATERIAL	FINISH	Customer Drawing	

NAME: RECEPTACLE CONTACT POWER TRIPLE LOCK

SIZE: A2 CAGE CODE: 00779 DRAWING NO: 1971237 RESTRICTED TO: -

SCALE: 5:1 SHEET 1 OF 1 REV E