

- NOTES:
1. MATERIALS: HOUSING - LIQUID CRYSTAL POLYMER (LCP)
GLASS-FILLED, UL94V-0
TERMINALS - HIGH PERFORMANCE COPPER ALLOY
 2. FINISH: 30μ IN MIN. GOLD IN CONTACT AREA, SELECTIVE MATTE TIN ON PCB TAILS, NICKEL OVERALL.
 3. REFER TO MOLEX PRODUCT SPECIFICATION PS-170540-999 FOR PERFORMANCE SPECIFICATIONS AND ADDITIONAL PCB INFORMATION.
 4. THIS PART CONFORMS TO CLASS B REQUIREMENTS OF MOLEX COSMETIC SPEC PS-45499-002.
 5. PARTS PACKAGED PER PK-70873-760.
 6. SEE SHEETS 2 & 3 FOR PART NUMBERS AND BOARD RELATIONSHIPS.
 7. FOR GROUNDED GUIDE PINS USE DIA. 3.56 ± 0.08 (PTH)
DIA. 3.66 (DRILL) AND DIA 6.5 (PAD).
 8. MINIMUM CIRCUIT BOARD THICKNESS: 1.0mm
 9. KEEP OUT ZONE FOR BP HOUSING LENGTH INCLUDES AN ADDITIONAL 1.0mm TO ACCOMMODATE FOR SPACE REQUIRED BY DC FRONT HOUSING.
 10. REFER TO MOLEX PCB ROUTING GUIDE AS-76060-990 FOR ANTIPAD AND ROUTING RECOMMENDATIONS.
 11. CONNECTORS SUPPLIED WITH A 2-56 UNC-2A SCREW.
 12. "THESE DIMENSIONS REPRESENT THE AREA NEEDED TO ACCOMMODATE CONNECTOR INSERTION AND REPAIR ON THE PC BOARD. THIS IS REFERRED TO AS THE "CONNECTOR KEEP OUT ZONE" AND DOES NOT REPRESENT THE ACTUAL PERIMETER OF THE CONNECTOR. WHEN LAYING OUT A PC BOARD FOR CONNECTORS STACKED TOGETHER, USE A 1.9mm PROGRESSION."

THIS DRAWING CONTAINS INFORMATION THAT IS PROPRIETARY TO MOLEX ELECTRONIC TECHNOLOGIES, LLC AND SHOULD NOT BE USED WITHOUT WRITTEN PERMISSION

MIGRATED TO NX EC NO: 168852 DRWN: ABABU01 CHKD: CD REV APPR: GGA	2017/10/13	GENERAL TOLERANCES (UNLESS SPECIFIED)	DIMENSION UNITS	SCALE			
	2017/11/30	ANGULAR TOL ± 2.0 °	MM	5:1			
	2017/12/01	4 PLACES ±	DRWN BY	DATE	IMPACT 6-PAIR 85-OHM RIGHT GUIDED BACKPLANE SALES ASSEMBLY DRAWING		
		3 PLACES ±	JBINGHAM	2010/09/24			
		2 PLACES ± 0.13	CHKD BY	DATE	PRODUCT CUSTOMER DRAWING		
	1 PLACE ± 0.25	JBINGHAM	2010/09/24				
	0 PLACES ±	APPR BY	DATE	SERIES MATERIAL NUMBER CUSTOMER 170535 SEE CHART GENERAL MARKET			
	DRAFT WHERE APPLICABLE MUST REMAIN WITHIN DIMENSIONS	JLAURX	2013/02/07				
		DRAWING SIZE	THIRD ANGLE PROJECTION	DOCUMENT NUMBER DOC TYPE DOC PART SHEET NUMBER SD-170535-0003 PSD 001 1 OF 3			
		D					

PART NUMBER LOGIC

170535-****

MODULE TYPE
 5 = GUIDE RIGHT, MATTE TIN
 9 = GUIDE RIGHT END WALL, MATTE TIN

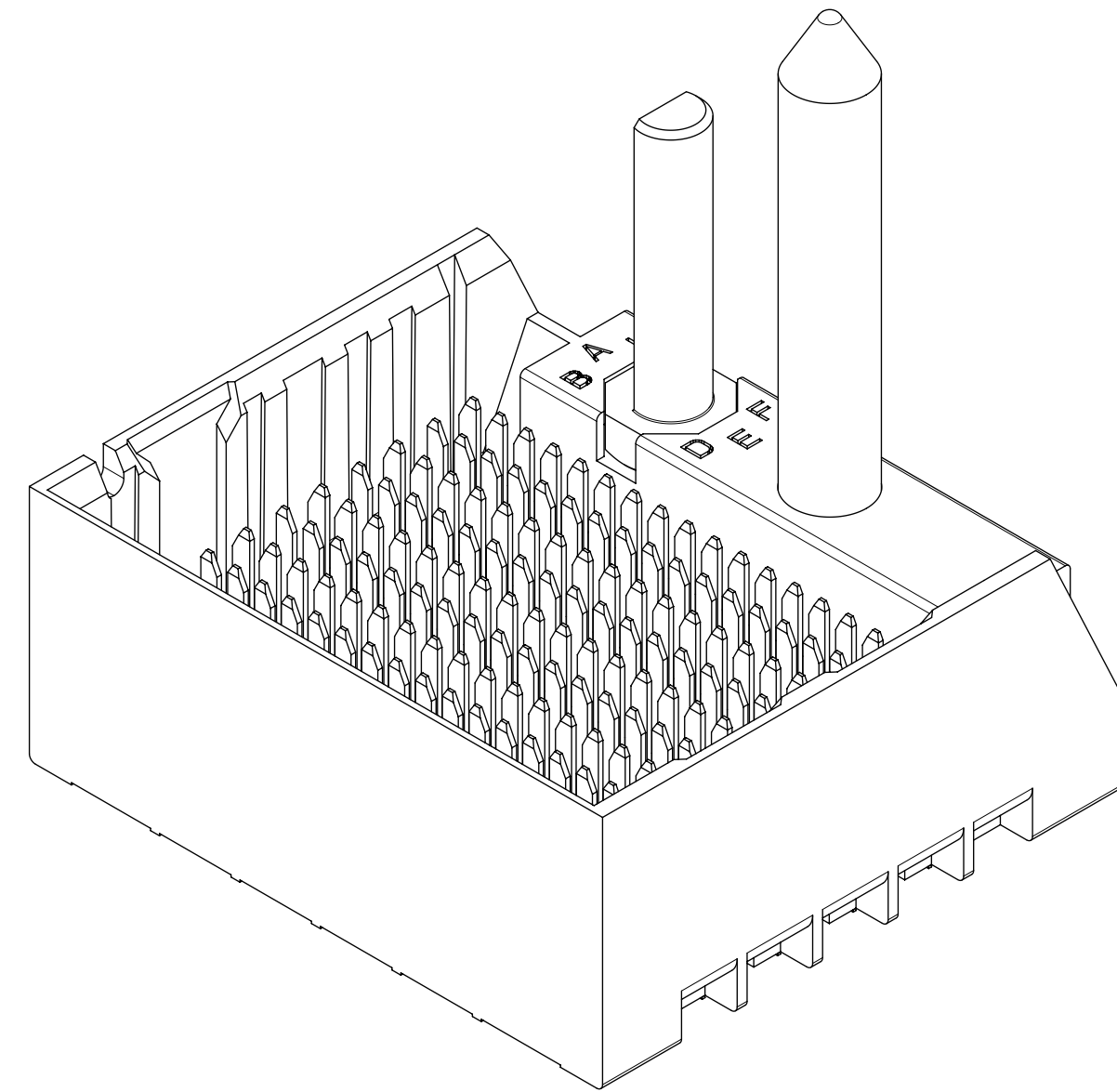
OF COLUMNS
 8 = 8 COLUMN
 1 = 10 COLUMN
 4 = 14 COLUMN
 6 = 16 COLUMN

PIN LENGTH (P)
 3 = 4.50 (SHORT COMPLIANT, 0.46±0.05 PTH)
 4 = 4.90 (SHORT COMPLIANT, 0.46±0.05 PTH)
 5 = 5.50 (SHORT COMPLIANT, 0.46±0.05 PTH)
 6 = 4.50 (MICRO COMPLIANT, 0.39±0.05 PTH)
 7 = 4.90 (MICRO COMPLIANT, 0.39±0.05 PTH)
 8 = 5.50 (MICRO COMPLIANT, 0.39±0.05 PTH)

KEY ORIENTATION
 0 = NO KEY
 1 = A
 2 = B
 3 = C
 4 = D
 5 = E
 6 = F
 7 = G
 8 = H

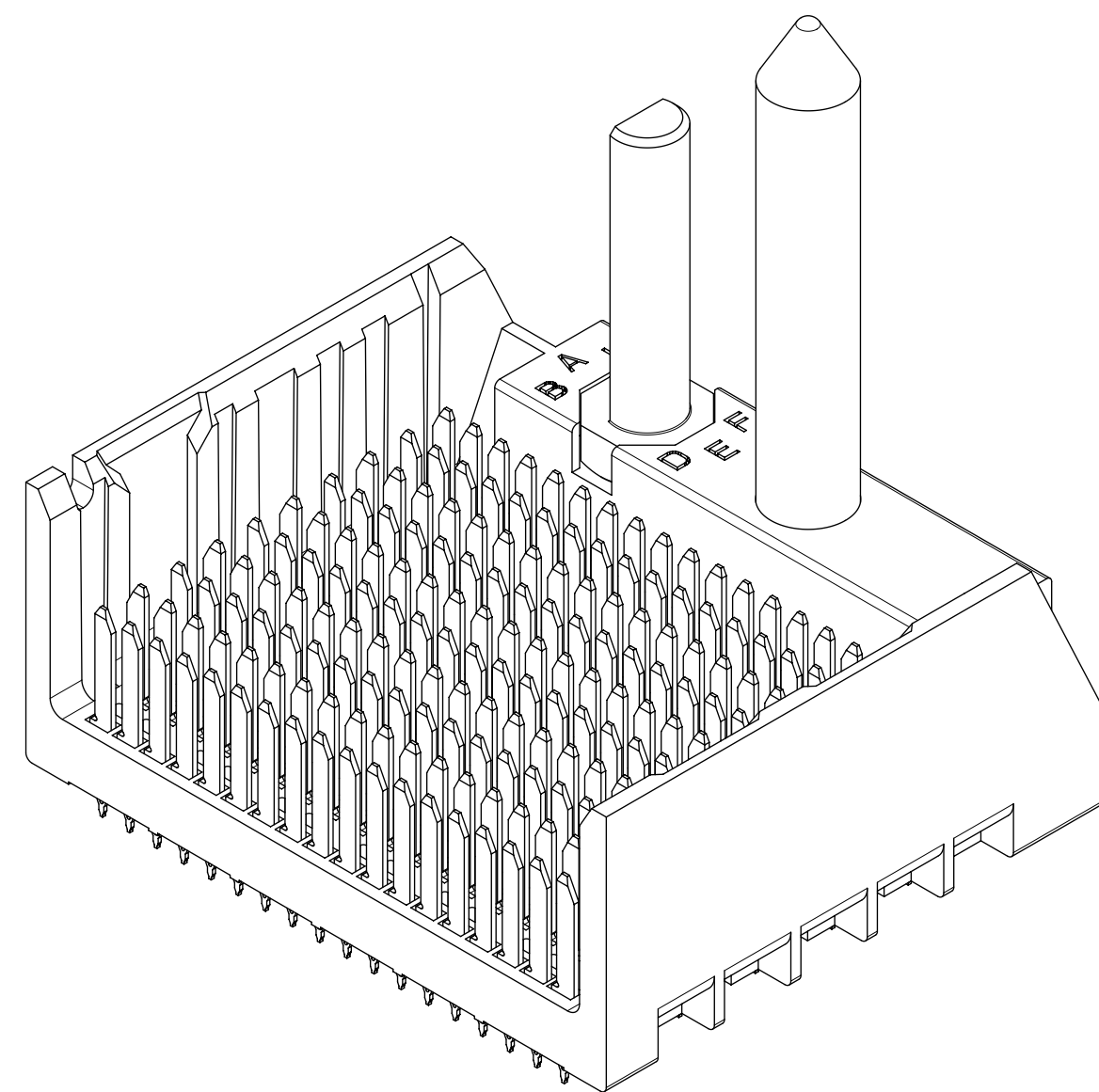
PART NUMBER CHART

MATERIAL NUMBER	# OF COLUMNS	# OF DIFF. PAIR	DIM. A	DIM. B	GUIDE RIGHT END WALL OPTION
170535-98**	8	48	23.1	13.30	
170535-91**	10	60	26.9	17.10	
170535-94**	14	84	34.5	24.70	
170535-96**	16	96	38.3	28.50	



GUIDE RIGHT
END WALL
OPTION

MATERIAL NUMBER	# OF COLUMNS	# OF DIFF. PAIR	DIM. A	DIM. B	GUIDE RIGHT OPEN WALL OPTION
170535-58**	8	48	21.7	13.30	
170535-51**	10	60	25.5	17.10	
170535-54**	14	84	33.1	24.70	
170535-56**	16	96	36.9	28.50	

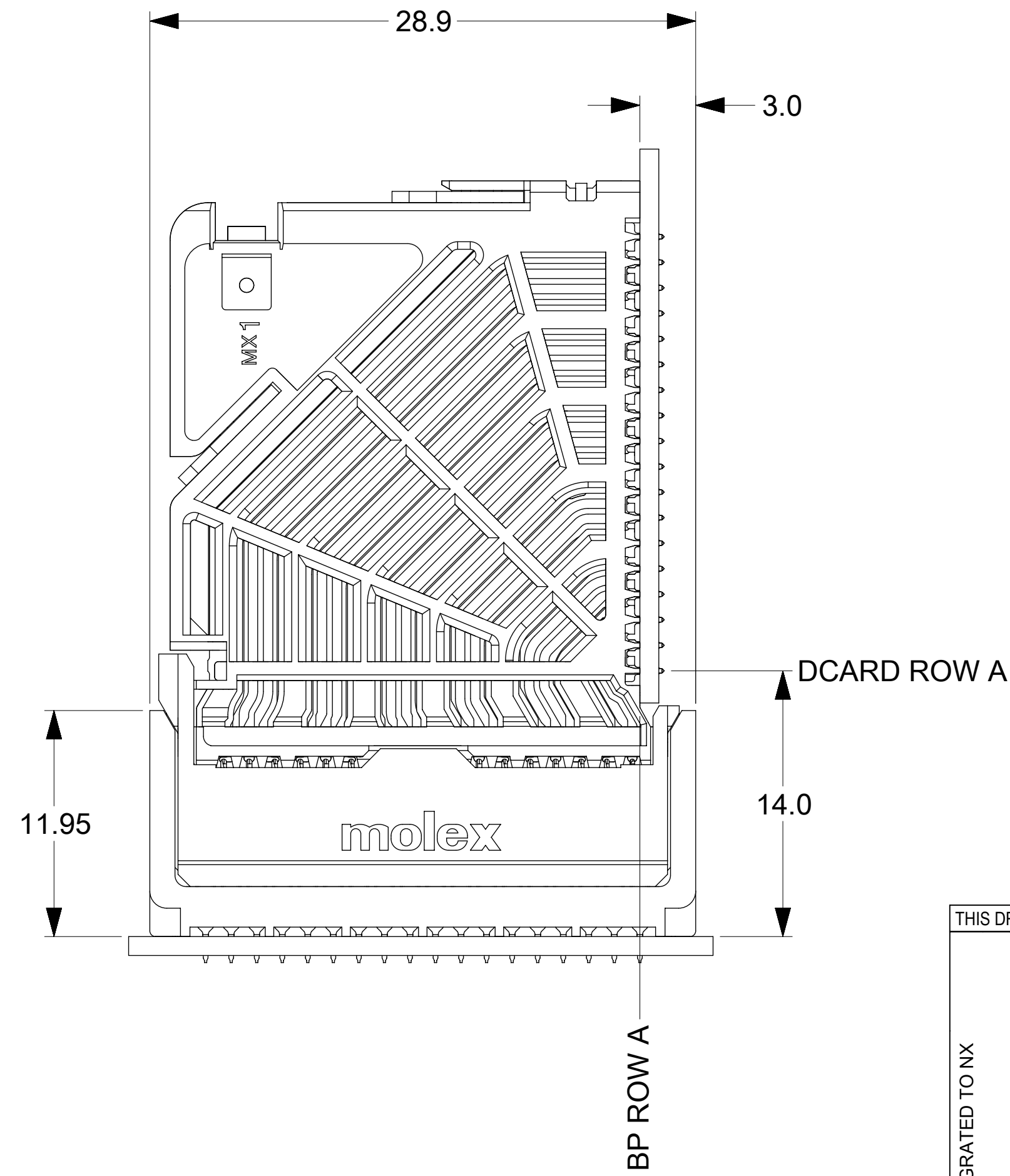
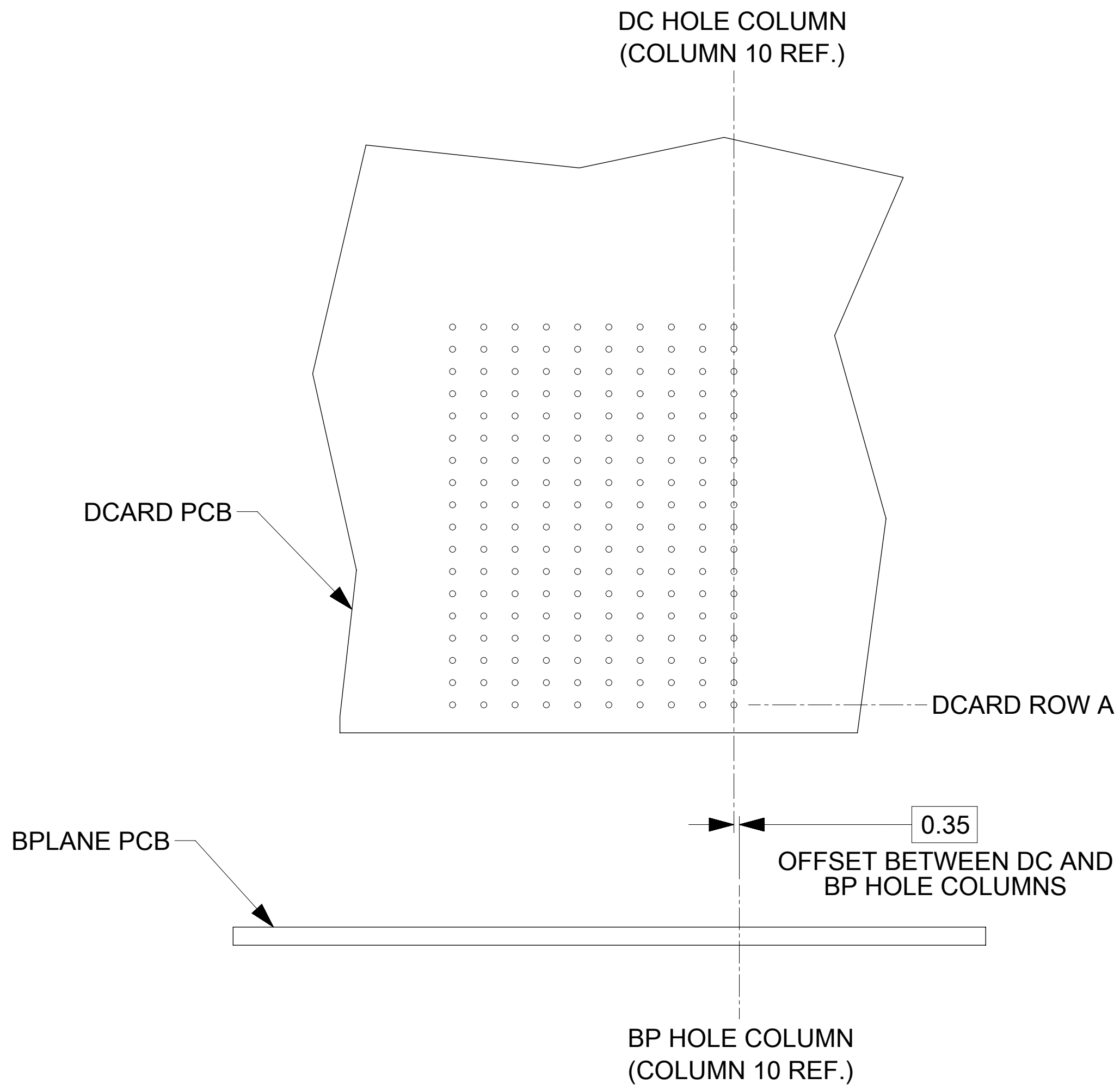
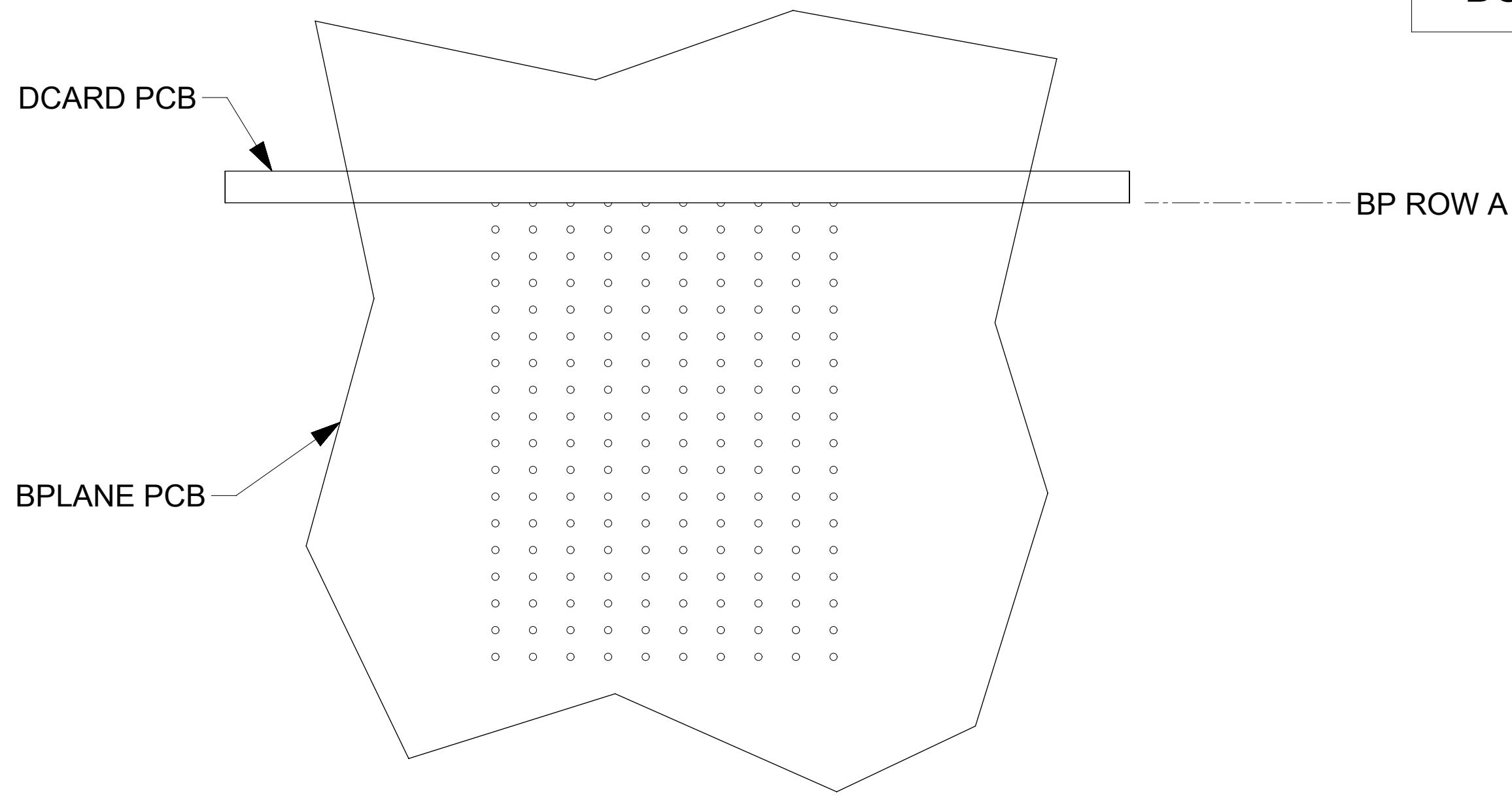


GUIDE RIGHT
OPEN WALL
OPTION

THIS DRAWING CONTAINS INFORMATION THAT IS PROPRIETARY TO MOLEX ELECTRONIC TECHNOLOGIES, LLC AND SHOULD NOT BE USED WITHOUT WRITTEN PERMISSION

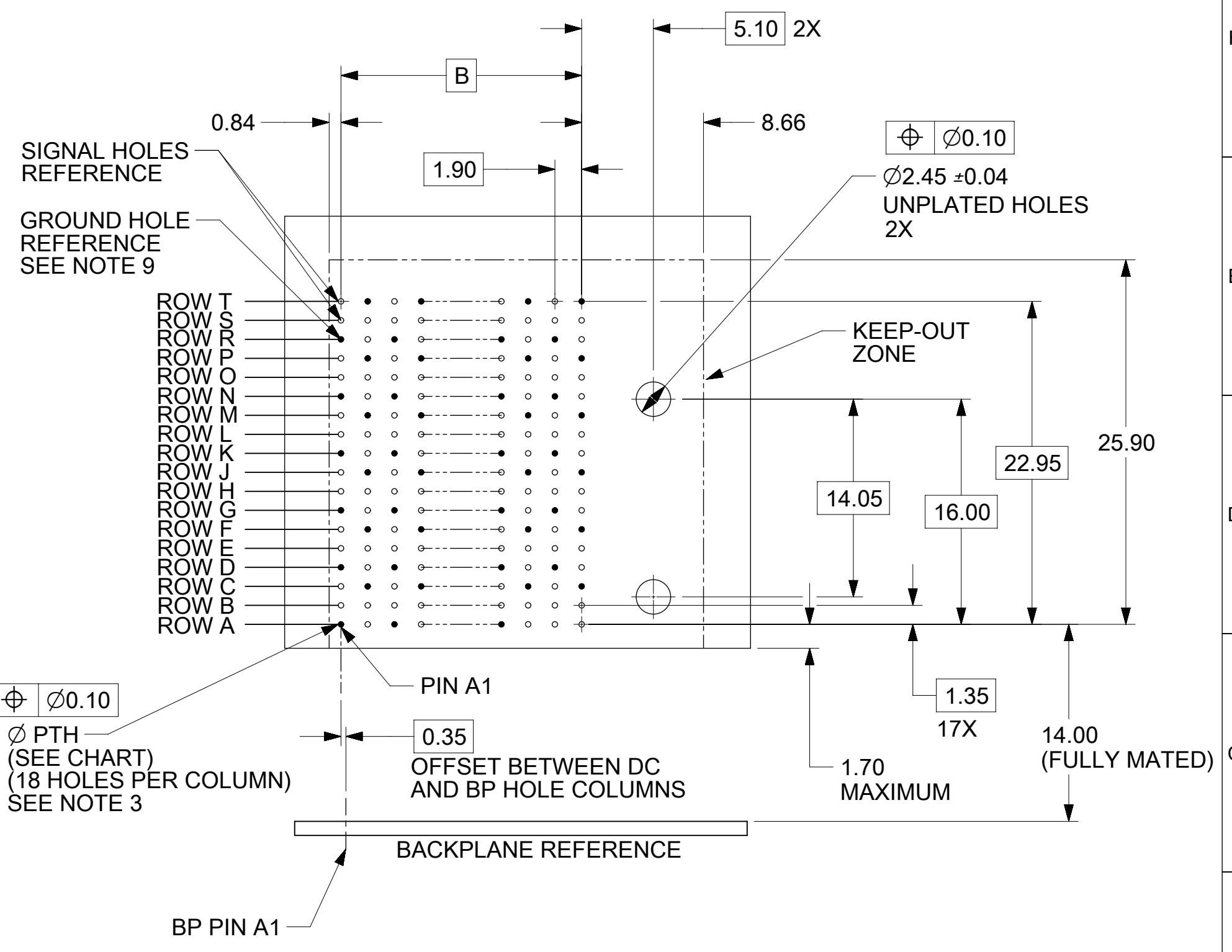
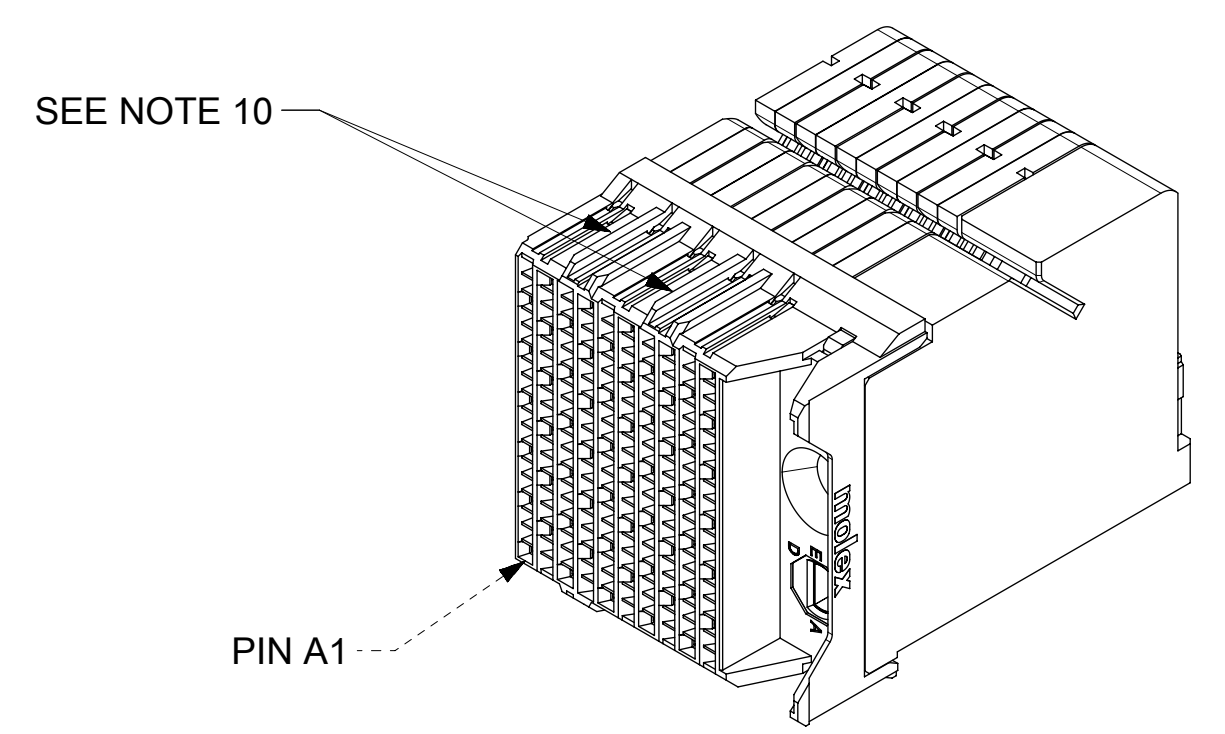
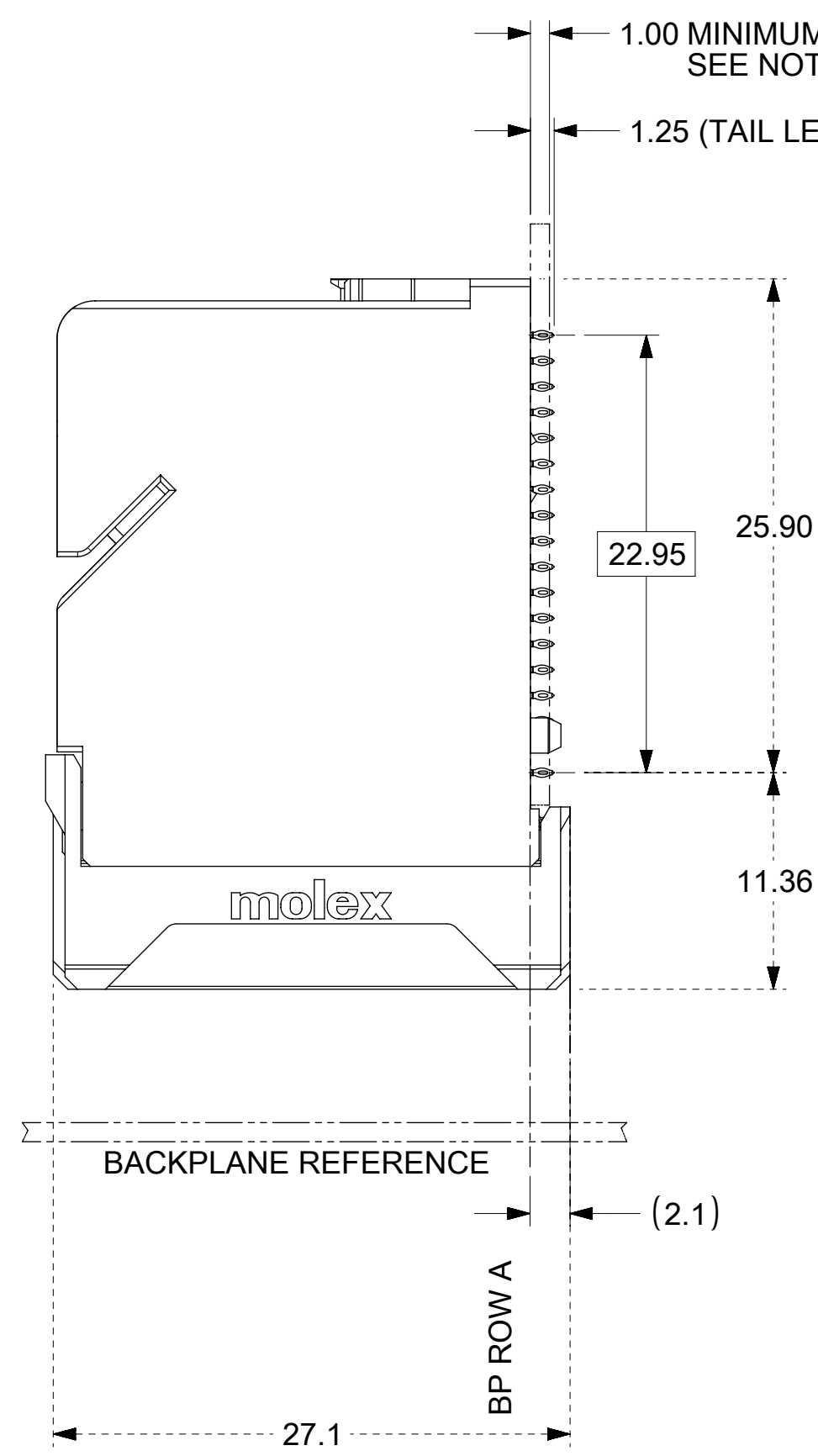
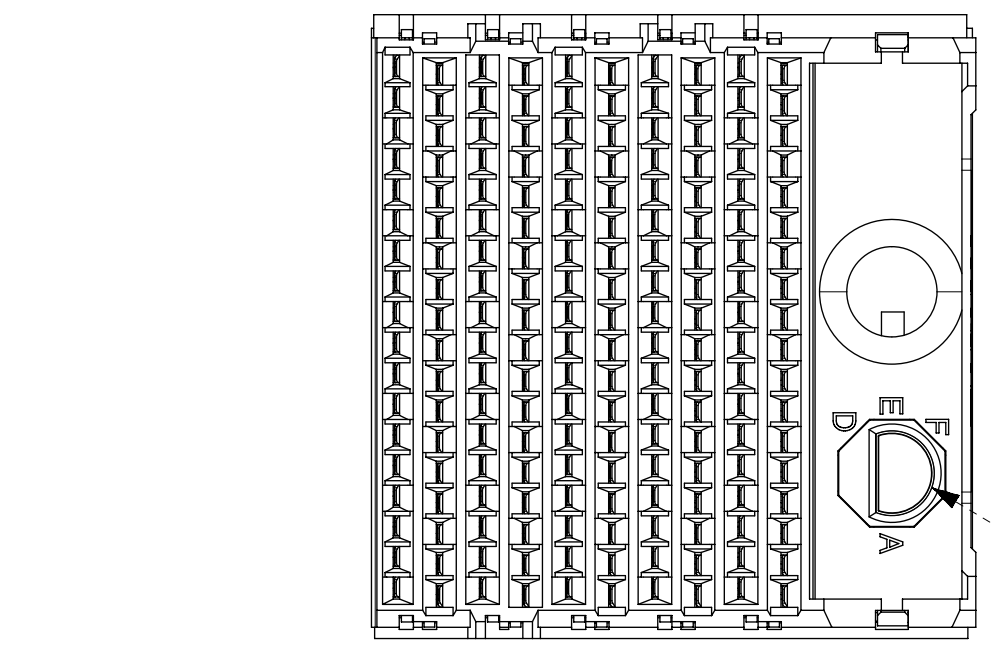
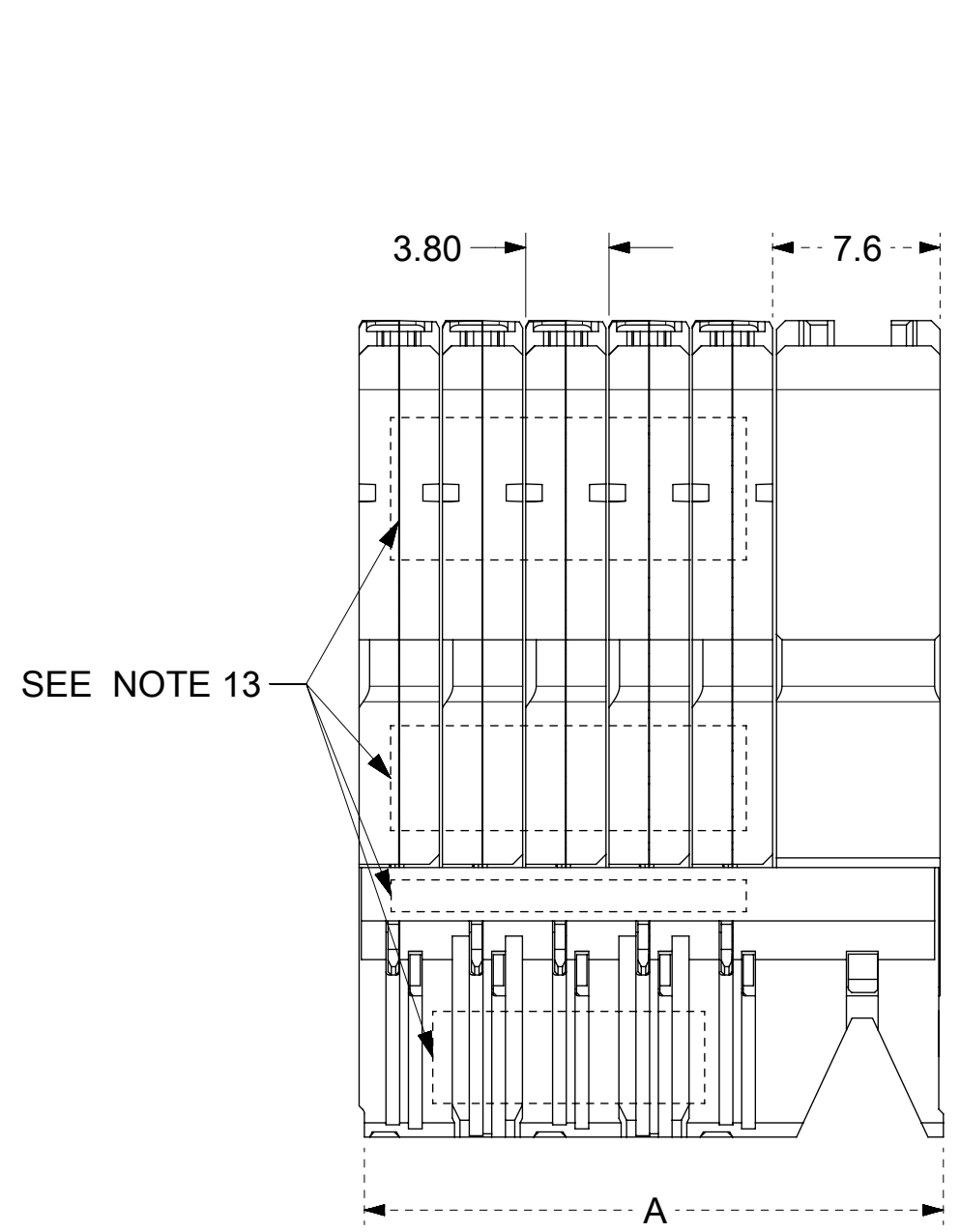
MIGRATED TO NX	EC NO: 168852	2017/10/13	GENERAL TOLERANCES (UNLESS SPECIFIED)	DIMENSION UNITS	SCALE	molex IMPACT 6-PAIR 85-OHM RIGHT GUIDED BACKPLANE SALES ASSEMBLY DRAWING PRODUCT CUSTOMER DRAWING	
	DRWN: ABABU01	2017/11/30	ANGULAR TOL ± 2.0 °	MM	4:1		
	CHKD: CD	2017/12/01	4 PLACES ±	DRWN BY	DATE		JBINGHAM 2010/09/24
	REV APPR: GGA		3 PLACES ±	CHKD BY	DATE		JBINGHAM 2010/09/24
			2 PLACES ± 0.13	APPR BY	DATE		JLAURX 2013/02/07
		1 PLACE ± 0.25	DRAWING SIZE	THIRD ANGLE PROJECTION	D	SERIES MATERIAL NUMBER CUSTOMER	
		0 PLACES ±	DRAFT WHERE APPLICABLE MUST REMAIN WITHIN DIMENSIONS			170535 SEE CHART GENERAL MARKET	
RELEASE STATUS	P1	RELEASE DATE	01.12.2017 12:29:17			DOCUMENT NUMBER DOC TYPE DOC PART SHEET NUMBER	
						SD-170535-0003 PSD 001 2 OF 3	

IMPACT 6 PAIR
BOARD RELATIONSHIPS



THIS DRAWING CONTAINS INFORMATION THAT IS PROPRIETARY TO MOLEX ELECTRONIC TECHNOLOGIES, LLC AND SHOULD NOT BE USED WITHOUT WRITTEN PERMISSION

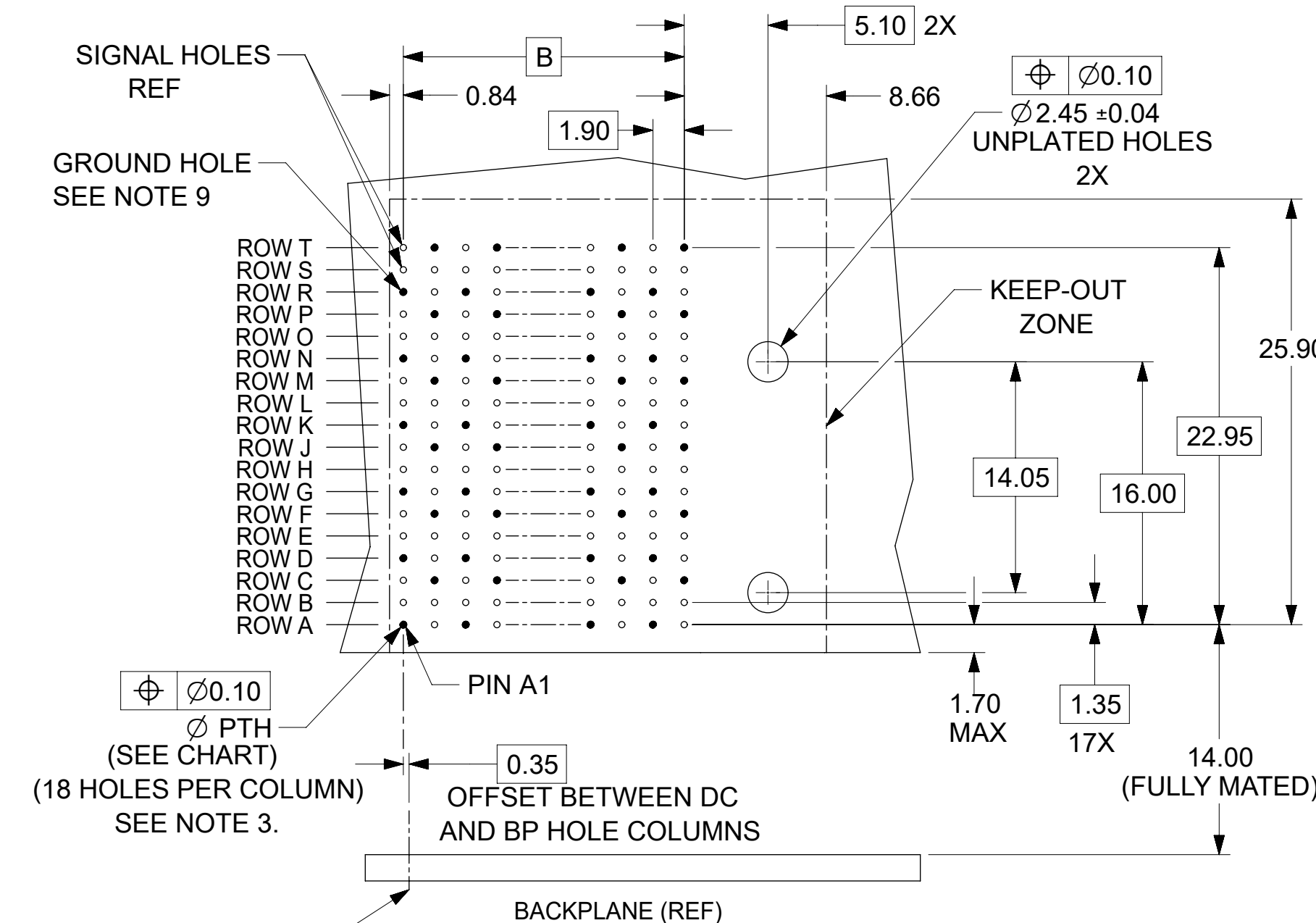
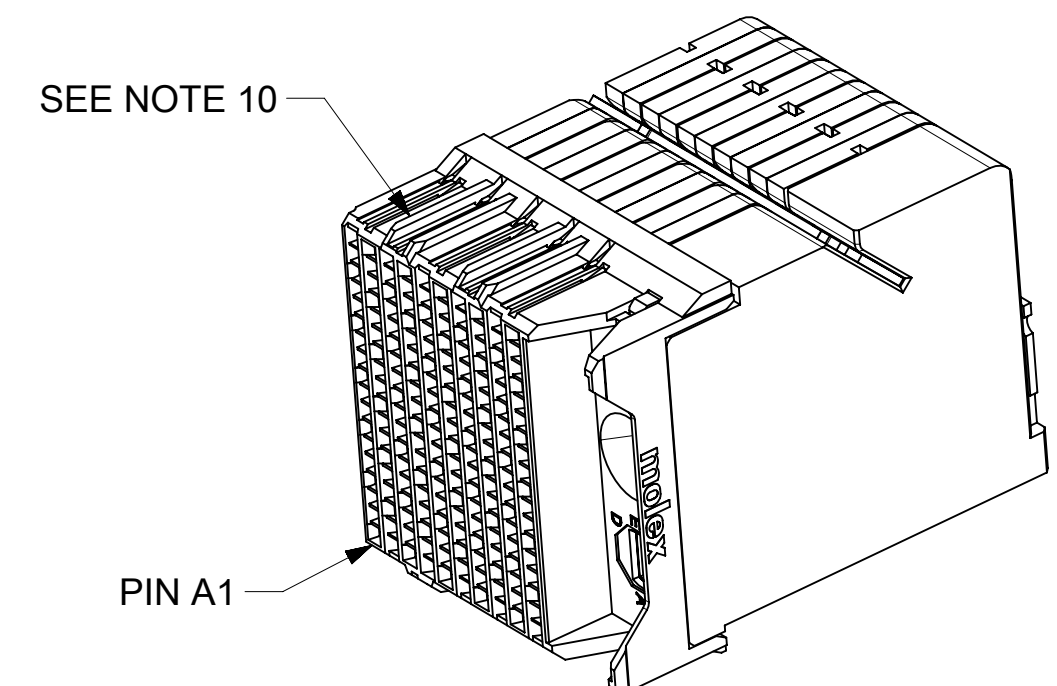
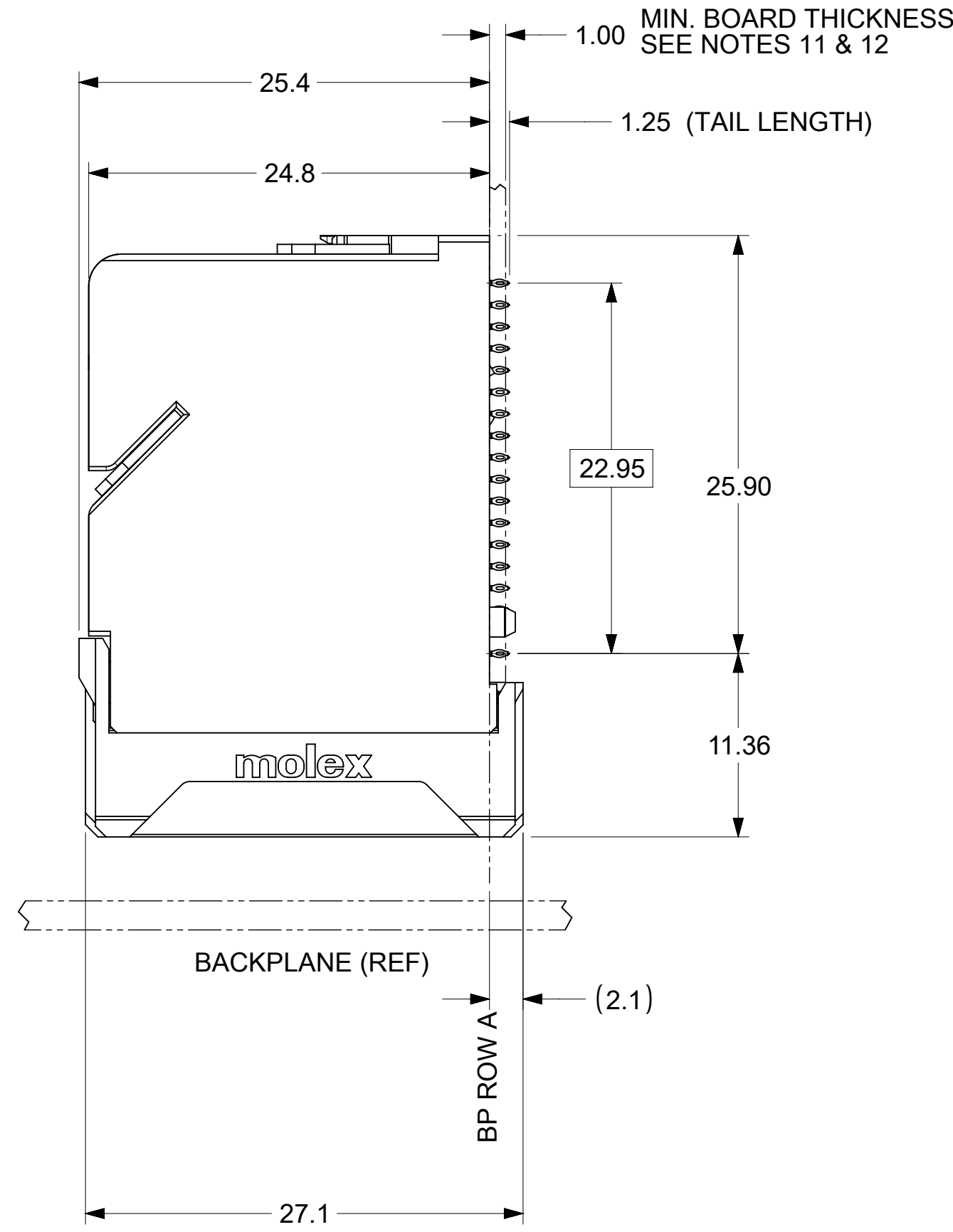
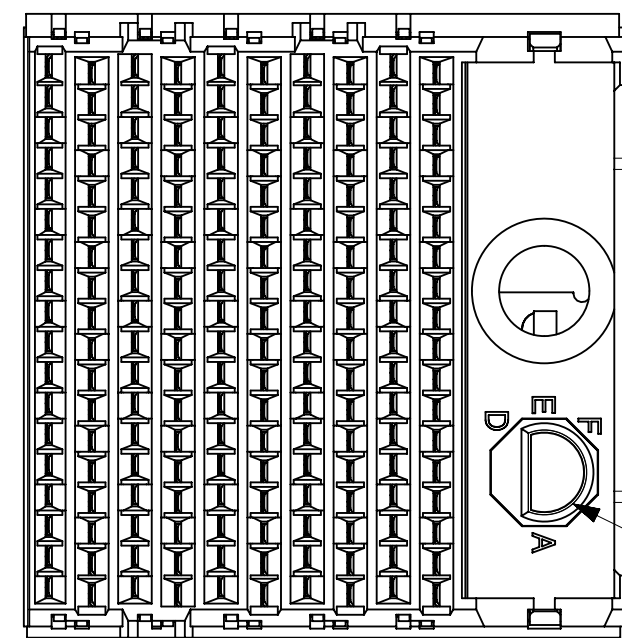
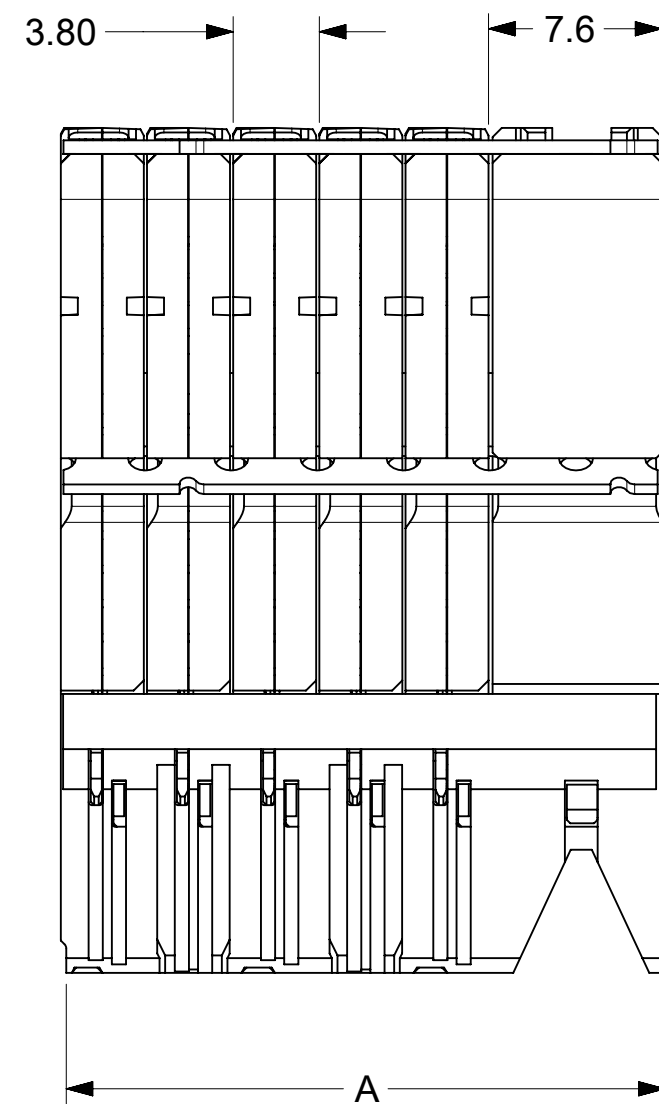
MIGRATED TO NX EC NO: 168852 DRWN: ABABU01 CHKD: CD REV APPR: GGA	2017/10/13	GENERAL TOLERANCES (UNLESS SPECIFIED)	DIMENSION UNITS	SCALE			
	2017/11/30	ANGULAR TOL ± 2.0 °	MM	4:1			
	2017/12/01	4 PLACES ±	DRWN BY	DATE	IMPACT 6-PAIR 85-OHM RIGHT GUIDED BACKPLANE SALES ASSEMBLY DRAWING		
		3 PLACES ±	JBINGHAM	2010/09/24			
		2 PLACES ± 0.13	CHKD BY	DATE	PRODUCT CUSTOMER DRAWING		
	1 PLACE ± 0.25	JBINGHAM	2010/09/24				
	0 PLACES ±	APPR BY	DATE	SERIES MATERIAL NUMBER CUSTOMER 170535 SEE CHART GENERAL MARKET			
	DRAFT WHERE APPLICABLE MUST REMAIN WITHIN DIMENSIONS	JLAURX	2013/02/07				
		DRAWING SIZE	THIRD ANGLE PROJECTION	DOCUMENT NUMBER DOC TYPE DOC PART SHEET NUMBER SD-170535-0003 PSD 001 3 OF 3			
		D					



- NOTES:
1. MATERIALS: HOUSING - LCP (LIQUID CRYSTAL POLYMER); GLASS FILLED, UL94-V0. TERMINALS - HIGH PERFORMANCE COPPER ALLOY.
 2. FINISH: 30 MICRINCHES MINIMUM GOLD IN CONTACT AREA; SELECTIVE MATTE TIN ON PCB TAILS; NICKEL UNDERPLATE OVERALL.
 3. REFER TO MOLEX PRODUCT SPECIFICATION PS-170540-999 FOR PERFORMANCE SPECIFICATIONS AND ADDITIONAL PCB INFORMATION.
 4. EACH SIGNAL WAFER CONTAINS 2 COLUMNS OF TERMINALS.
 5. PRODUCT IS PACKAGED PER PK-70873-589.
 6. THIS PART CONFORMS TO CLASS B REQUIREMENTS OF COSMETIC SPEC PS-45499-002.
 7. REFER TO MOLEX SALES DRAWINGS SD-170535-0003 AND RSD-170532-XXXX FOR THE MATED HEADER.
 8. REFER TO MOLEX PCB ROUTING GUIDE AS-76060-990 FOR ANTIPAD AND ROUTING RECOMMENDATIONS.
 9. GROUND PATHS ARE NOT DISCRETE CIRCUITS WITHIN CONNECTOR DUE TO PRESENCE OF PLUS CLIP.
 10. PART NUMBER 170540-5720 SHOWN ON DRAWING. KEYING FEATURES WILL CHANGE WITH COLUMN SIZE.
 11. MINIMUM BOARD THICKNESS IS 1.00mm FOR COMPLIANT PIN FUNCTIONALITY.
 12. WHEN USING MOLEX SUPPLIED #2-32 SCREW 73726-0000 (9.50 NOMINAL THREADABLE SCREW LENGTH). THE MAXIMUM BOARD THICKNESS IS 4.4mm.
 13. MARKING: LOCATED APPROXIMATELY AS SHOWN, PART NUMBER AND DATE CODE.

DAUGHTERCARD HOLE PATTERN (CONNECTOR SIDE)

SYMBOLS		THIS DRAWING CONTAINS INFORMATION THAT IS PROPRIETARY TO MOLEX ELECTRONIC TECHNOLOGIES, LLC AND SHOULD NOT BE USED WITHOUT WRITTEN PERMISSION		CURRENT REV DESC: ADD 14 COLUMN		
▽ = 0	mm	SCALE	3:1	molex IMPACT 6 PAIR PLUS 85OHM DAUGHTERCARD SIGNAL GUIDE RIGHT SALES DWG		
▽ = 0	GENERAL TOLERANCES (UNLESS SPECIFIED)		EC NO: 603057			
▽ = 0	ANGULAR TOL ± 0.5°		DRWN: DMORGAN 2018/04/06			
▽ = 0	4 PLACES ±		CHK'D: TELO 2018/08/28			
▽ = 0	2 PLACES ± 0.13		APPR: TELO 2018/08/28		PRODUCT CUSTOMER DRAWING	
▽ = 0	1 PLACE ± 0.25		INITIAL REVISION:		DOCUMENT NUMBER	
▽ = 0	0 PLACES ±		DRWN: KBENES 2012/08/20		SD-170540-0004	
▽ = 0	DRAFT WHERE APPLICABLE MUST REMAIN WITHIN DIMENSIONS		APPR: TELO 2012/08/23		DOC TYPE DOC PART REVISION	
▽ = 0	THIRD ANGLE PROJECTION		DRAWING SERIES		PSD 001 C	
▽ = 0	C-SIZE		170540		MATERIAL NUMBER CUSTOMER SHEET NUMBER	
▽ = 0	SEE TABLE		GENERAL MARKET		1 OF 2	



- NOTES:
1. MATERIALS: HOUSING - LIQUID CRYSTAL POLYMER (LCP), GLASS-FILLED, UL94V-0
TERMINALS - HIGH PERFORMANCE COPPER ALLOY
 2. FINISH: 10µIN MIN GOLD IN CONTACT AREA, SELECTIVE TIN
ON PCB TAILS, NICKEL OVERALL.
 3. REFER TO MOLEX PRODUCT SPEC PS-170540-999 FOR PERFORMANCE SPECIFICATIONS
AND ADDITIONAL PCB INFORMATION.
 4. EACH SIGNAL WAFER CONTAINS 2 COLUMNS OF TERMINALS.
 5. PRODUCT IS PACKAGED PER PK-70873-589.
 6. THIS PART CONFORMS TO CLASS B REQUIREMENTS OF COSMETIC SPEC PS-45499-002.
 7. REFER TO MOLEX SALES DRAWING SD-170535-0003 AND RSD-170532-XXXX FOR THE
MATING HEADERS.
 8. REFER TO MOLEX PCB ROUTING GUIDE AS-76060-990 FOR ANTIPAD AND ROUTING
RECOMMENDATIONS.
 9. GROUND PATHS ARE NOT DISCRETE CIRCUITS WITHIN CONNECTOR DUE TO PRESENCE
OF PLUS CLIP.
 10. PART NUMBER 170540-5720 SHOWN ON DRAWING. KEYING FEATURES WILL CHANGE
WITH COLUMN SIZE.
 11. MINIMUM BOARD THICKNESS IS 1.00 mm FOR COMPLIANT PIN FUNCTIONALITY.
 12. WHEN USING MOLEX SUPPLIED #2-32 SCREW 73726-0000 (9.50 NOMINAL
THREADABLE SCREW LENGTH), THE MAXIMUM BOARD THICKNESS IS 4.4 mm.

DAUGHTERCARD HOLE PATTERN (CONNECTOR SIDE)

THIS DRAWING CONTAINS INFORMATION THAT IS PROPRIETARY TO MOLEX ELECTRONIC TECHNOLOGIES, LLC AND SHOULD NOT BE USED WITHOUT WRITTEN PERMISSION									
DIMENSION UNITS		SCALE		CURRENT REV DESC: REMASTERED TO NX					
mm		NTS							
GENERAL TOLERANCES (UNLESS SPECIFIED)				EC NO: 705090 DRWN: YOGEEB 2021/12/13 CHK'D: YOGEEB 2022/02/10 APPR: LZENG 2022/05/13					
ANGULAR TOL ± 0.5°				IMPACT 6 PAIR PLUS 85OHM DC SIGNAL MAPS GUIDE RIGHT SALES DWG					
4 PLACES ±				PRODUCT CUSTOMER DRAWING					
3 PLACES ±				DOCUMENT NUMBER					
2 PLACES ± 0.13				SD-173120-0004					
1 PLACE ± 0.25				DOC TYPE DOC PART REVISION					
0 PLACES ±				PSD 001 A1					
DRAFT WHERE APPLICABLE MUST REMAIN WITHIN DIMENSIONS		THIRD ANGLE PROJECTION		DRAWING		SERIES		SHEET NUMBER	
				C-SIZE		173120		1 OF 2	

