

Contact insert module - HC-M-04-KT-M - 1417371

Please be informed that the data shown in this PDF Document is generated from our Online Catalog. Please find the complete data in the user's documentation. Our General Terms of Use for Downloads are valid (<http://phoenixcontact.com/download>)




Contact insert module, number of positions: 4xKOAX, power contacts: 0, control contacts: 4, Pin, Soldering and crimp connection, 50 V, 2 A, 0.14 mm² ... 2.5 mm², application: Signal



COMPLIANT

Key Commercial Data

Packing unit	5 pc
Minimum order quantity	5 pc
GTIN	 4 055626 112534
GTIN	4055626112534

Technical data

Dimensions

Height	31.5 mm
Width	34.2 mm
Length	14.6 mm

Electrical characteristics

Rated voltage (III/3)	50 V
Rated current	1.5 A
Rated surge voltage	0.8 kV
Contact resistance, phase conductor	≤ 3 mΩ
Contact resistance, inner conductor	≤ 10 mΩ
Insulation resistance	≥ 10 GΩ
Connection profile	4xKOAX

Ambient conditions

Ambient temperature (operation)	-40 °C ... 125 °C
---------------------------------	-------------------

Mechanical characteristics

Conductor cross section	0.14 mm ² ... 2.5 mm ²
-------------------------	--

Contact insert module - HC-M-04-KT-M - 1417371

Technical data

Mechanical characteristics

Connection cross section AWG	26 ... 14
Stripping length of the individual wire	2.5 mm ±0.5 mm
Contact diameter	4.8 mm
Insertion/withdrawal cycles	≥ 500

General

Note	For HEAVYCON housings type B6 to B48, HC-M-B...MF... module carrier frame required, crimp contacts HC-M-04-KOAX... (crimp contacts not included in the scope of delivery)
	Connectors may be operated only when there is no load/voltage.
Series	HC-M-04-KOAX
Color	light gray
Number of module slots	1
Connection method	Soldering and crimp connection
Contact type	turned
Flammability rating according to UL 94	V0
Degree of pollution	3
Overvoltage category	III
Assembly instructions	To ensure correct use, installation in housing with IP54 protection or better is required
Connection	For HC-M-04-BU-KOAX... contacts

Material data

Contact material	Copper alloy
Contact surface material	AU
Contact carrier material	PC

Standards and Regulations

Flammability rating according to UL 94	V0
--	----

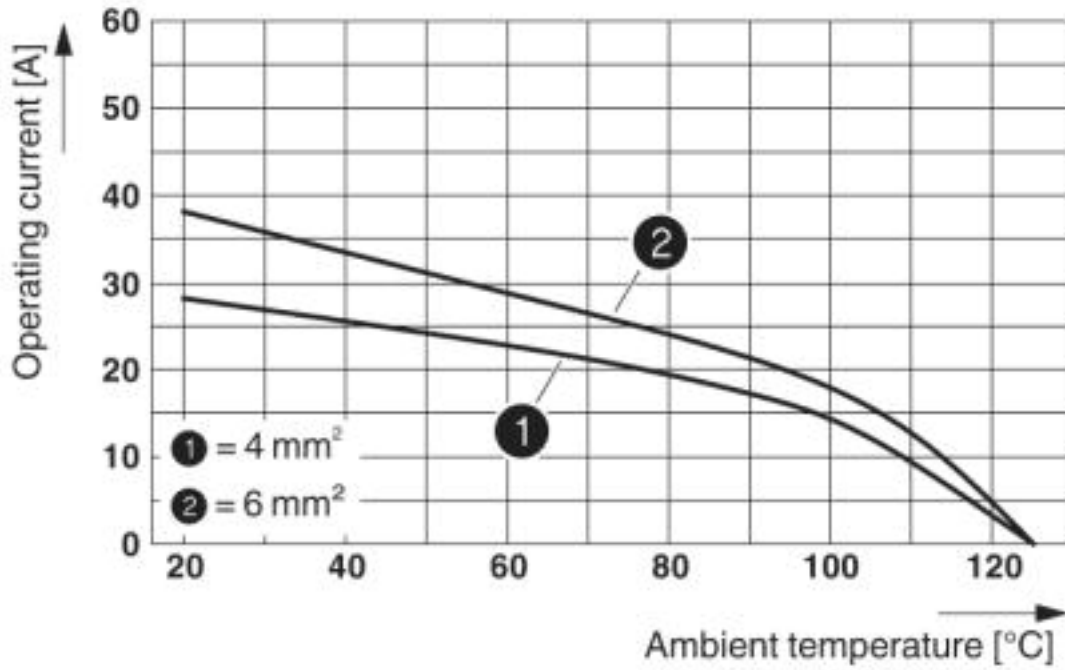
Environmental Product Compliance

China RoHS	Environmentally friendly use period: unlimited = EFUP-e
	No hazardous substances above threshold values

Drawings

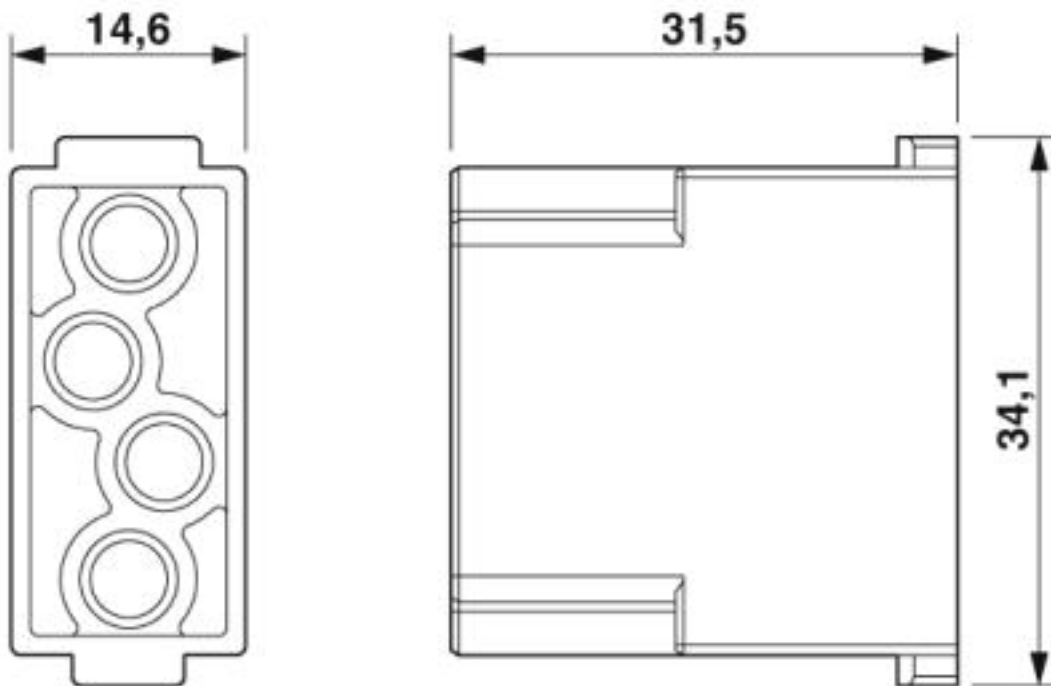
Contact insert module - HC-M-04-KT-M - 1417371

Diagram



Derating diagram

Dimensional drawing



Male insert

Contact insert module - HC-M-04-KT-M - 1417371

Approvals




Approvals

Approvals

CSA / UL Recognized / EAC

Ex Approvals

Approval details

CSA		http://www.csagroup.org/services-industries/product-listing/	13631
UL Recognized		http://database.ul.com/cgi-bin/XYV/template/LISEXT/1FRAME/index.htm	E118976
EAC			RU C- DE.AI30.B.01102

Phoenix Contact 2019 © - all rights reserved
<http://www.phoenixcontact.com>

PHOENIX CONTACT GmbH & Co. KG
Flachsmarktstr. 8
32825 Blomberg
Germany
Tel. +49 5235 300
Fax +49 5235 3 41200
<http://www.phoenixcontact.com>