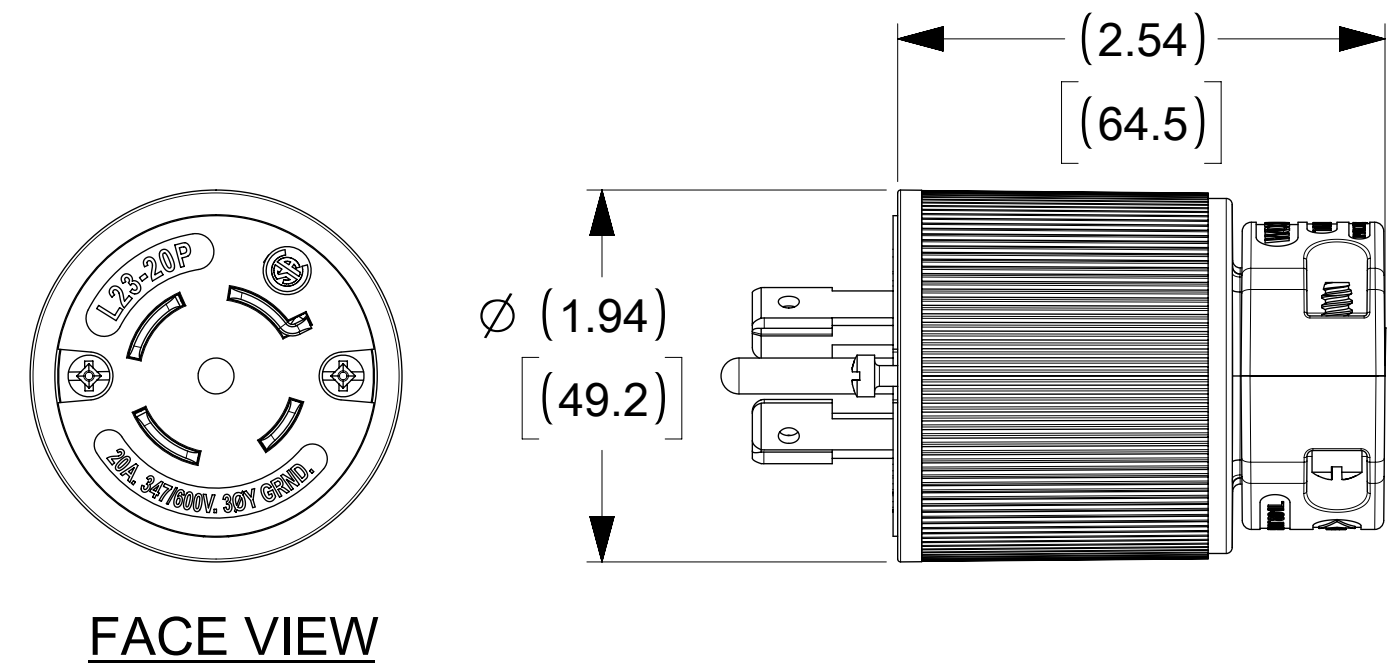
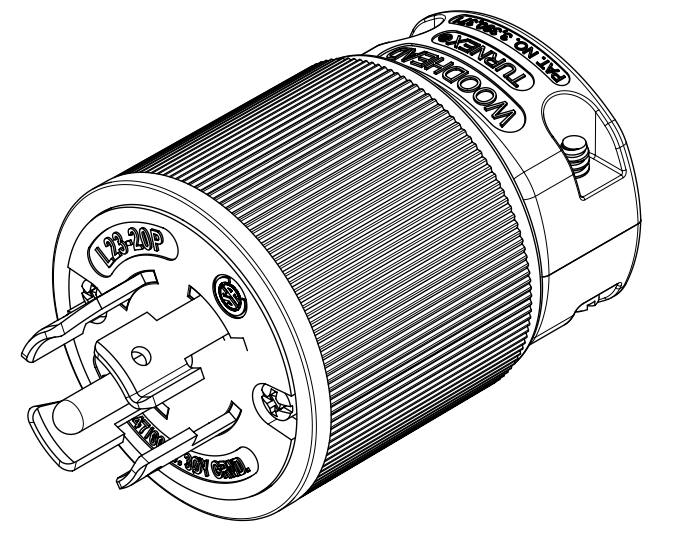
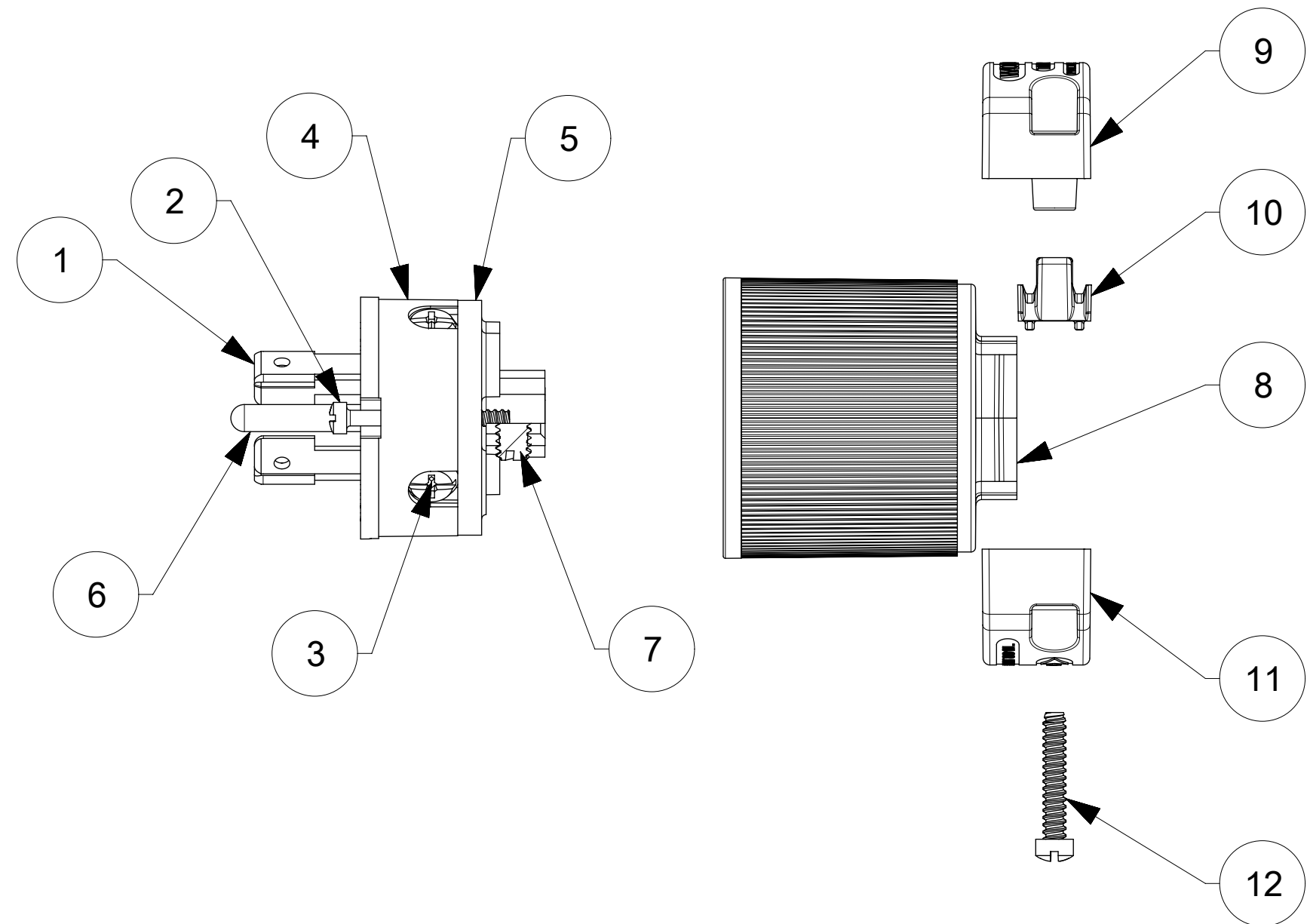
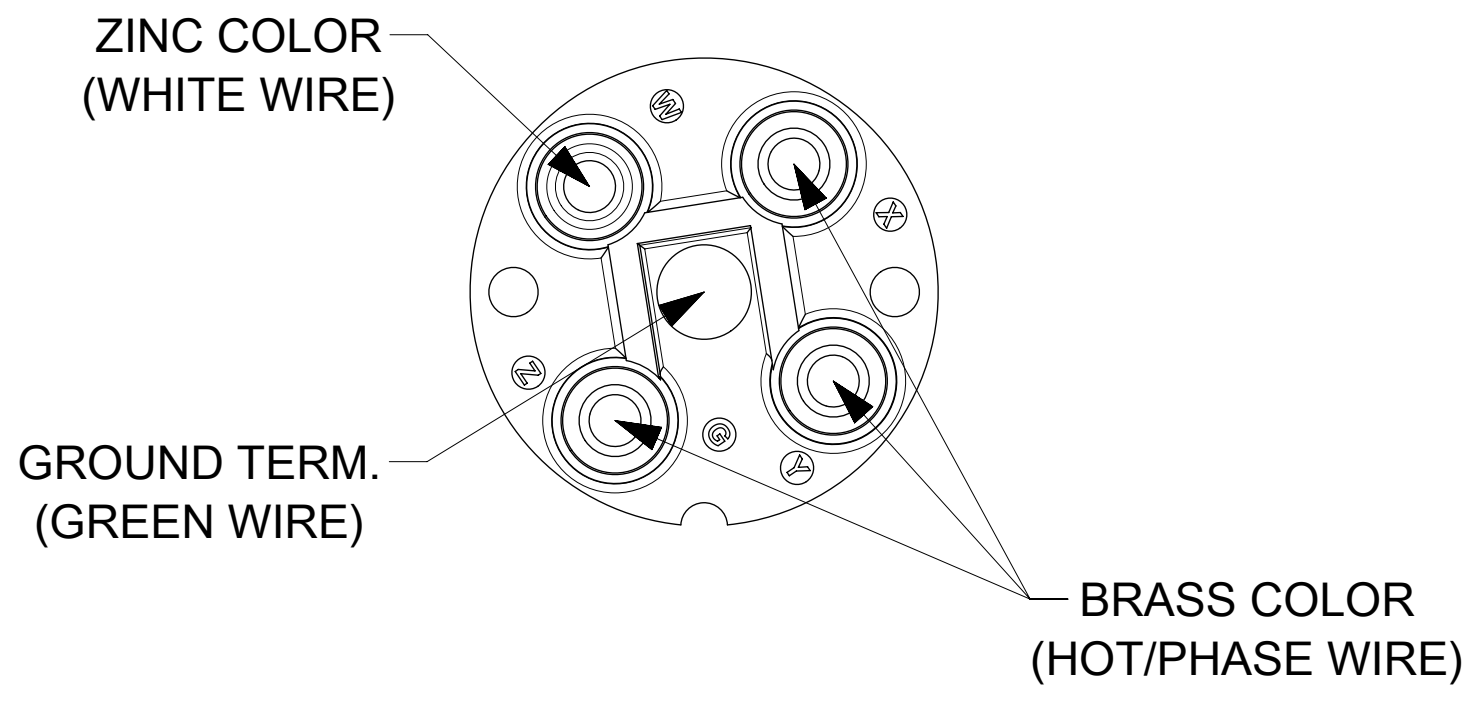


ORDER NO.	WOODHEAD NO.	COLOR
130145-0024	26T83YL	YELLOW



WIRING TERMINATION



ITEM NO.	DESCRIPTIONS	MATERIAL	QTY.
1	BLADES	BRASS, NICKEL PLATED	4
2	RETAINING SCREWS	STAINLESS STEEL	2
3	TERMINAL SCREWS/CLAMP ASSEMBLY	BRASS, ZINC PLATED	4
4	INSERT	NYLON	1
5	TERMINAL COVER	POLYCARBONATE	1
6	GROUND PIN	BRASS, NICKEL PLATED	1
7	SET SCREW	STAINLESS STEEL	1
8	HOUSING	NYLON	1
9	CLAMP CORD MALE	NYLON	1
10	CLAMP CORD INSERT	NYLON	1
11	CLAMP CORD FEMALE	NYLON	1
12	RETAINING SCREWS	STAINLESS STEEL	2

SYMBOLS DIMENSION UNITS: INCH[MM] SCALE: NTS GENERAL TOLERANCES (UNLESS SPECIFIED): 4 PLACES: ± 0.005 [0.127] 3 PLACES: ± 0.004 [0.101] 2 PLACES: ± 0.003 [0.076] 1 PLACE: ± 0.002 [0.051] 0 PLACES: ± 0.001 [0.025] ANGULAR TOL: ± 0.010 [0.254] DRAFT WHERE APPLICABLE MUST REMAIN WITHIN DIMENSIONS THIRD ANGLE PROJECTION	THIS DRAWING CONTAINS INFORMATION THAT IS PROPRIETARY TO MOLEX ELECTRONIC TECHNOLOGIES, LLC AND SHOULD NOT BE USED WITHOUT WRITTEN PERMISSION CURRENT REV DESC: NEW RELEASE		
	EC NO: 626991 DRWN: VBASUTHKARP 2019/05/21 CHK'D: DNGUYEN62 2019/12/27 APPR: HKNEELAND 2020/02/04 INITIAL REVISION: DRWN: VBASUTHKARP 2019/05/21 APPR: HKNEELAND 2020/02/04		
DOCUMENT NUMBER: 1301450024 MATERIAL NUMBER: SEE TABLE		DOC TYPE: PSD DOC PART: 000 REVISION: A CUSTOMER: GENERAL MARKET SHEET NUMBER: 1 OF 1	