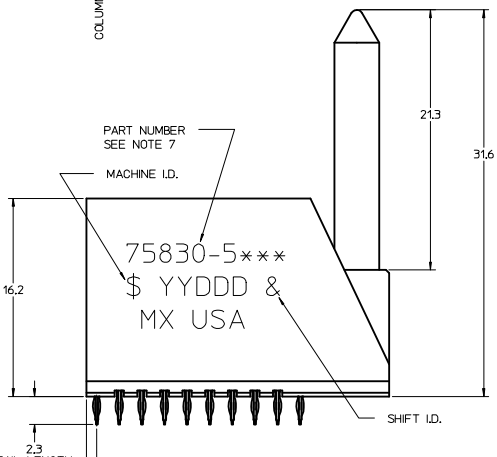
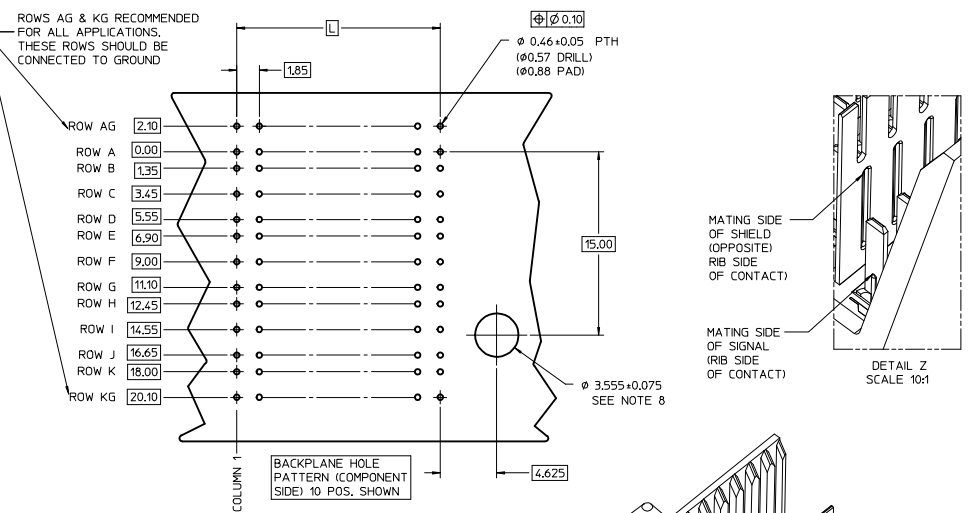


- NOTES:**
1. MATERIAL: HOUSING - LIQUID CRYSTAL POLYMER (LCP) GLASS-FILLED, UL 94V-0, COLOR - GRAY, ELECTRICALLY ENHANCED INSERT: CONDUCTIVE RESIN, COLOR - BLACK, SIGNAL CONTACT AND GROUND BLADE - HIGH PERFORMANCE COPPER ALLOY.
 2. FINISHES: SELECTIVE GOLD (Au) ON CONTACT AREA, SELECTIVE MATTE TIN (Sn) ON PCB TAILS, NICKEL (Ni) OVERALL.
 3. THESE PART CONFORMS TO MOLEX PRODUCT SPECIFICATION PS-75221-999.
 4. FOR MIXED CONTACT MATING LENGTHS CONSULT MOLEX FOR AVAILABILITY, CONTACT PAIRS MUST BE THE SAME LENGTH.
 5. FOR SPECIFIC PART NUMBER AND MATING INFORMATION PLEASE REFER TO CHART.
 6. PACKAGE PER PK-70873-563.
 7. EITHER MARK PART NUMBER AND DATE CODE APPROXIMATELY WHERE SHOWN, ON EITHER SIDE OF THE PART OR PLACE A LABEL ON THE TUBE.
 8. OPTIONAL HOLE LOCATION FOR GROUNDED GUIDE PIN OR ADDITIONAL GUIDE SUPPORT. SEE DRAWING SD-75234-100 FOR DETAILS.
 9. MINIMUM BOARD THICKNESS: 1.6
 10. THESE PARTS CONFORM TO MOLEX COSMETIC SPECIFICATION PS-45499-002 CLASS B.
 11. MAPS (MOLEX ADVANCED PLATING SYSTEM).



THE PRIMARY CARTON WITH A LABEL STATING "ELV AND RoHS COMPLIANT" IS LEAD FREE. CARTONS WITHOUT THIS LABEL MAY CONTAIN LEAD.

COLUMN	PIN LENGTH DIM "M"	GOLD (Au) THICKNESS micrometers
51 = 10	0-3.55 mm	0.25 (MAPS)
52 = 25	1-4.55 mm	
57 = 7	2-5.55 mm	
KEY POS. 0 = NONE	4-4.55 mm	0.76
1 = A	5-5.55 mm	
2 = B	7-3.55 mm	
ETC...	8-4.55 mm	
	9-5.55 mm	

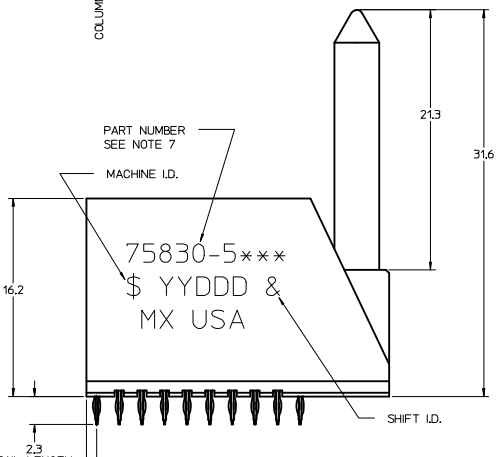
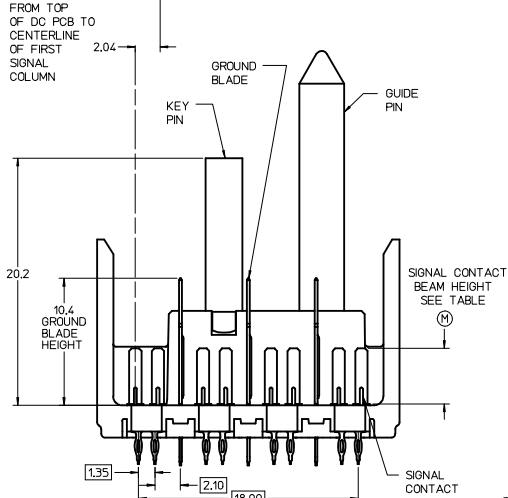
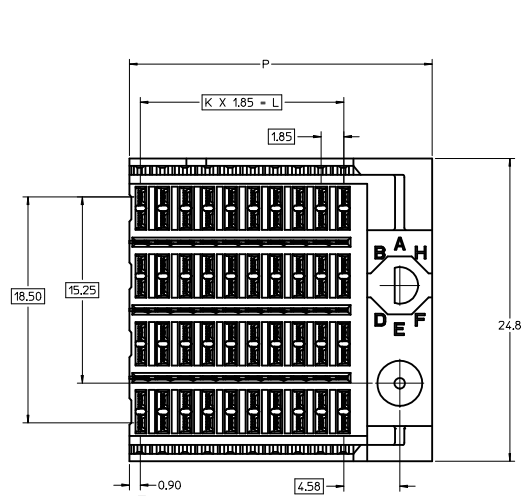
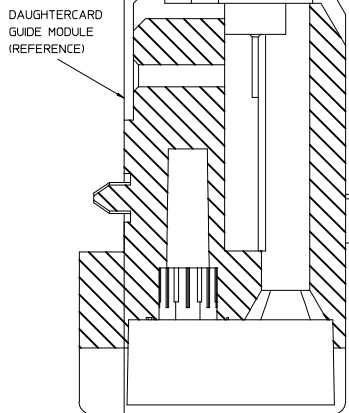


LEAD-FREE PLATING

CONFIGURATION		
ASSEMBLY NO.	K	P
75830-51**	9	16.65
75830-52**	24	44.40
75830-57**	6	11.10

P/N	---*0*	---*1*	---*2*	---*3*	---*4*	---*5*	---*6*	---*7*	---*8*
75830-()	A	B	C	D	E	F	G	H	
KEYING PIN ORIENTATION									

REV TO LEAD-FREE EC NO: UCP 2013-1905 DRAWINGS: 2012/09/06 CHKD/MOLEX: 2012/09/06 APPR/MILLER: 2012/12/05	QUALITY SYMBOLS ∇=0 ∇=0 ∇=0	GENERAL TOLERANCES (UNLESS SPECIFIED) DIM INCH 4 PLACES ±.005 3 PLACES ±.008 2 PLACES ±.015 1 PLACE ±.030 0 PLACE ±.040 ANGULAR ±1/2° DRAFT WHERE APPLICABLE MUST REMAIN WITHIN DIMENSIONS	DIMENSION STYLE MM ONLY DRAWN BY: J.B. INGHAM CHECKED BY: J. LAURX DATE: 2008/01/22 APPROVED BY: MILLER DATE: 2012/12/05	SCALE: 5:1 DESIGN UNITS: METRIC THIRD ANGLE PROJECTION	TITLE: GBX 4-PAIR BACKPLANE LF ELECTRICALLY ENHANCED RIGHT END SALES ASSEMBLY molex MATERIAL NO. SD-75830-510 DOCUMENT NO. SD-75830-510	SHEET NO. 1 OF 1
	THIS DRAWING CONTAINS INFORMATION THAT IS PROPRIETARY TO MOLEX INCORPORATED AND SHOULD NOT BE USED WITHOUT WRITTEN PERMISSION					



LEAD-FREE PLATING

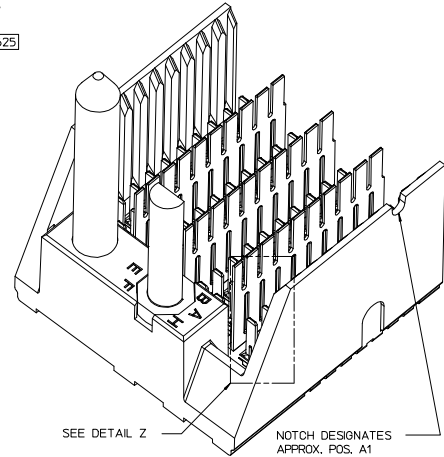
- NOTES:
1. MATERIAL: HOUSING - LIQUID CRYSTAL POLYMER (LCP) GLASS-FILLED, UL 94V-0, COLOR - GRAY, ELECTRICALLY ENHANCED INSERT: CONDUCTIVE RESIN, COLOR - BLACK, SIGNAL CONTACT AND GROUND BLADE - HIGH PERFORMANCE COPPER ALLOY.
 2. FINISHES: SELECTIVE GOLD (Au) ON CONTACT AREA, SELECTIVE MATTE TIN (Sn) ON PCB TAILS, NICKEL (Ni) OVERALL.
 3. THESE PART CONFORMS TO MOLEX PRODUCT SPECIFICATION PS-75221-999.
 4. FOR MIXED CONTACT MATING LENGTHS CONSULT MOLEX FOR AVAILABILITY, CONTACT PAIRS MUST BE THE SAME LENGTH.
 5. FOR SPECIFIC PART NUMBER AND MATING INFORMATION PLEASE REFER TO CHART.
 6. PACKAGE PER PK-70873-563.
 7. EITHER MARK PART NUMBER AND DATE CODE APPROXIMATELY WHERE SHOWN, ON EITHER SIDE OF THE PART OR PLACE A LABEL ON THE TUBE.
 8. OPTIONAL HOLE LOCATION FOR GROUNDED GUIDE PIN OR ADDITIONAL GUIDE SUPPORT. SEE DRAWING SD-75234-100 FOR DETAILS.
 9. MINIMUM BOARD THICKNESS: 1.6
 10. THESE PARTS CONFORM TO MOLEX COSMETIC SPECIFICATION PS-45499-002 CLASS B.
 11. MAPS (MOLEX ADVANCED PLATING SYSTEM).

THE PRIMARY CARTON WITH A LABEL STATING "ELV AND RoHS COMPLIANT" IS LEAD FREE. CARTONS WITHOUT THIS LABEL MAY CONTAIN LEAD.

75830-5***	PIN LENGTH DIM "M"	GOLD (Au) THICKNESS micrometers
COLUMN	0-3.55 mm	
51 = 10	1-4.55 mm	0.25 (MAPS)
52 = 25	2-5.55 mm	
57 = 7	3-3.55 mm	
KEY POS.	4-4.55 mm	0.76
0 = NONE	5-5.55 mm	
1 = A	7-3.55 mm	
2 = B	8-4.55 mm	1.27
ETC...	9-5.55 mm	

CONFIGURATION		
ASSEMBLY NO.	K	P
75830-51**	9	16.65 24.78
75830-52**	24	44.40 52.53
75830-57**	6	11.10 19.23

P/N	---*0*	---*1*	---*2*	---*3*	---*4*	---*5*	---*6*	---*7*	---*8*
75830-()	A	B	C	D	E	F	G	H	
KEYING PIN ORIENTATION									



REV TO LEAD-FREE EC NO: UCP 2013-1905 D 2012/09/06 CHOKWOLFE 2012/09/06 APPR:SMILLER 2012/12/05 REV DESCRIPTION	QUALITY SYMBOLS ∇=0 ∇=0 ∇=0	GENERAL TOLERANCES (UNLESS SPECIFIED) DIM INCH 4 PLACES ±--- 3 PLACES ±--- 2 PLACES ±0.25 1 PLACE ±0.38 0 PLACE ±--- ANGULAR ±1/2° DRAFT WHERE APPLICABLE MUST REMAIN WITHIN DIMENSIONS	DIMENSION STYLE MM ONLY DRAWN BY DATE J.B. INGHAM 2008/01/22 CHECKED BY DATE J. LAURX 2008/01/22 APPROVED BY DATE SMILLER 2012/12/05	SCALE 5:1 DESIGN UNITS METRIC THIRD ANGLE PROJECTION	TITLE GBX 4-PAIR BACKPLANE LF ELECTRICALLY ENHANCED RIGHT END SALES ASSEMBLY molex	MATERIAL NO. SEE CHART	DOCUMENT NO. SD-75830-510	SHEET NO. 1 OF 1
	THIS DRAWING CONTAINS INFORMATION THAT IS PROPRIETARY TO MOLEX INCORPORATED AND SHOULD NOT BE USED WITHOUT WRITTEN PERMISSION							
	16. FROM TOP OF DC PCB TO CENTERLINE OF FIRST SIGNAL COLUMN							
	19. FROM TOP OF DC PCB TO CENTERLINE OF FIRST SIGNAL COLUMN							