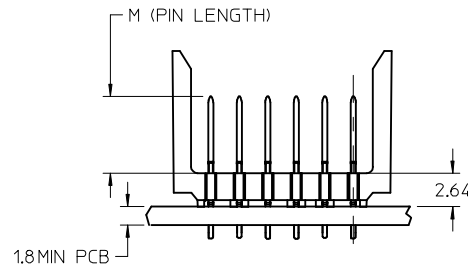
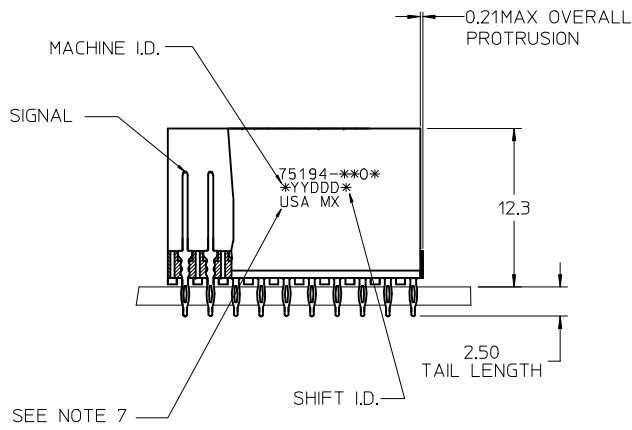


BACKPLANE HOLE PATTERN
RECOMMENDED DIMENSIONS

NOTES:

- MATERIALS:
HOUSING - LIQUID CRYSTAL POLYMER (LCP), GLASS-FILLED, UL 94V-0, COLOR: BLACK
SIGNAL PIN - COPPER ALLOY
- FINISHES:
CONTACT AREA: SELECTIVE GOLD (Au)
PCB TAILS: SELECTIVE MATTE TIN (Sn)
NICKEL (Ni) UNDERPLATE OVERALL.
- THIS PART CONFORMS TO MOLEX PRODUCT SPECIFICATION PS-74031-999
- FOR MIXED CONTACT LENGTHS CONSULT MOLEX FOR AVAILABILITY
- FOR SPECIFIC MATERIAL NUMBERS & MATING INFORMATION REFER TO SHEET 2
- PACKAGE PER PK-74057-003
- EITHER MARK PART WITH PART NUMBER & DATE CODE APPROXIMATELY WHERE SHOWN OR PLACE LABEL ON THE TUBE.
- MAPS (MOLEX ADVANCE PLATING SYSTEMS).



THE PRIMARY CARTON WITH A LABEL STATING "ELV AND RoHS COMPLIANT" IS LEAD FREE. CARTONS WITHOUT THIS LABEL MAY CONTAIN LEAD.

LEAD FREE CONVERSION EC NO: LCP2013-0687 DRAWN BY: DRWIN/MOLFE CHECKED BY: CHYKSWANG APPROVED BY: APPRS/MILLER DATE: 2012/08/17 DATE: 2012/10/14 DATE: 2012/10/14	QUALITY SYMBOLS	GENERAL TOLERANCES (UNLESS SPECIFIED)	DIMENSION STYLE	SCALE	DESIGN UNITS	THIRD ANGLE PROJECTION
	$\nabla=0$ $\nabla=0$ $\nabla=0$	mm INCH	MM ONLY	2:1	METRIC	
	4 PLACES +---+ 3 PLACES +---+ 2 PLACES +---+ 1 PLACE +---+ 0 PLACE +---+	+---+ +---+ +---+ +---+ +---+	DATE: 2002/12/18 DATE: 2002/12/18 DATE: 2012/08/10	DRAWN BY: MBANDURA CHECKED BY: NMARTIN APPROVED BY: SMILLER	DATE: 2002/12/18 DATE: 2002/12/18 DATE: 2012/08/10	TITLE: VHDM LITE 6 ROW, LF OPEN END BACKPLANE SALES DRAWING
	MATERIAL NO. SEE SHT.2 DOCUMENT NO. SD-75194-001	DRAFT WHERE APPLICABLE MUST REMAIN WITHIN DIMENSIONS	ANGULAR $\pm 1/2^\circ$	SIZE D	THIS DRAWING CONTAINS INFORMATION THAT IS PROPRIETARY TO MOLEX INCORPORATED AND SHOULD NOT BE USED WITHOUT WRITTEN PERMISSION	SHEET NO. 1 OF 2

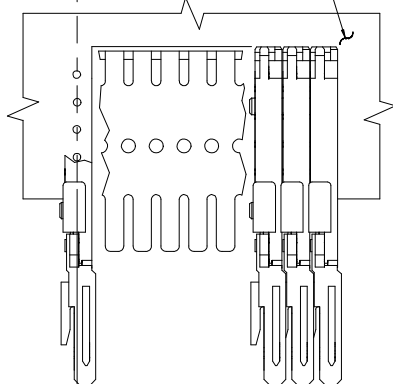
MATERIAL NUMBER ASSIGNMENT

75194- **0*

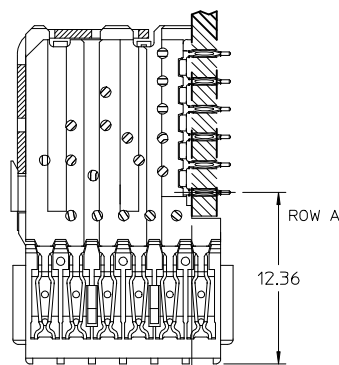
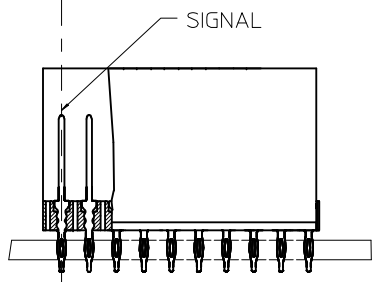
PIN LENGTH *M/
GOLD THICKNESS.
SEE TABLE

NUMBER OF COLUMNS/PLATING
 10 = 10 COLUMN MATTE TIN (FORMERLY TIN/LEAD)
 25 = 25 COLUMN MATTE TIN (FORMERLY TIN/LEAD)
 60 = 10 COLUMN MATTE TIN (MAPS)
 75 = 25 COLUMN MATTE TIN (MAPS)
 90 = 10 COLUMN MATTE TIN
 85 = 25 COLUMN MATTE TIN

SIGNAL COLUMN
 DAUGHTERCARD CONNECTOR SIDE

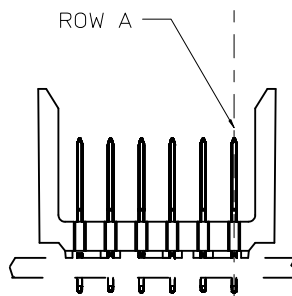


0.41 OFFSET
SIGNAL TO SIGNAL



ROW A
 12.36

0.66
TOP DAUGHTERCARD
PCB TO ϕ ROW A



PART NUMBER	COLUMN	NUMBER OF SIGNAL PIN	NUMBER OF SHIELD	A	B	M	GOLD THICKNESS MICROMETER	TIN THICKNESS MICROMETER
75194-6001	10	60	10	20.00	18.00	4.75	0.25 MAPS	0.76-1.52
75194-*001							0.76	
75194-*006							1.27	
75194-7501	25	150	25	50.00	48.00	6.25	0.25 MAPS	0.76-1.52
75194-*501							0.76	
75194-*506							1.27	
75194-6002	10	60	10	20.00	18.00	4.25	0.25 MAPS	0.76-1.52
75194-*002							0.76	
75194-*007							1.27	
75194-7502	25	150	25	50.00	48.00	5.15	0.25 MAPS	0.76-1.52
75194-*502							0.76	
75194-*507							1.27	
75194-6003	10	60	10	20.00	18.00	4.25	0.25 MAPS	0.76-1.52
75194-*003							0.76	
75194-*008							1.27	
75194-7503	25	150	25	50.00	48.00	5.15	0.25 MAPS	0.76-1.52
75194-*503							0.76	
75194-*508							1.27	
75194-6004	10	60	10	20.00	18.00	4.25	0.25 MAPS	0.76-1.52
75194-*004							0.76	
75194-*009							1.27	
75194-7504	25	150	25	50.00	48.00	5.15	0.25 MAPS	0.76-1.52
75194-*504							0.76	
75194-*509							1.27	

SEE SHEET 1 EIC NO: UCP2013-0687 DRAWN BY: CHYKSWANG CHECKED BY: APPR:SMILLER DATE: 2012/08/17 DATE: 2012/12/14	QUALITY SYMBOLS	GENERAL TOLERANCES (UNLESS SPECIFIED)	DIMENSION STYLE	SCALE	DESIGN UNITS	THIRD ANGLE PROJECTION
	$\nabla=0$ $\nabla=0$ $\nabla=0$	mm INCH 4 PLACES +--- +--- 3 PLACES +--- +--- 2 PLACES +0.25 +--- 1 PLACE +0.38 +--- 0 PLACE +--- +---	MM ONLY	2:1	METRIC	TITLE: VHDM LITE 6 ROW, LF OPEN END BACKPLANE SALES DRAWING molex
	DRAFT WHERE APPLICABLE MUST REMAIN WITHIN DIMENSIONS	MATERIAL NO. SEE TABLE DATE: 2012/08/10	DOCUMENT NO. SD-75194-001	SHEET NO. 2 OF 2		
	THIS DRAWING CONTAINS INFORMATION THAT IS PROPRIETARY TO MOLEX INCORPORATED AND SHOULD NOT BE USED WITHOUT WRITTEN PERMISSION					