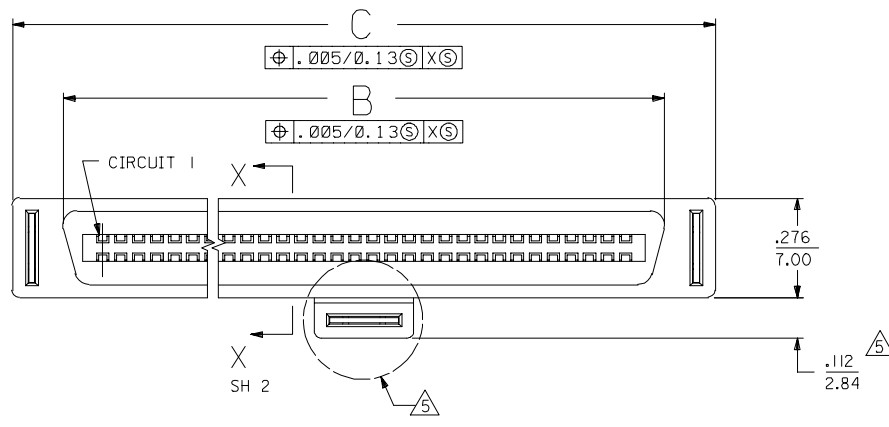


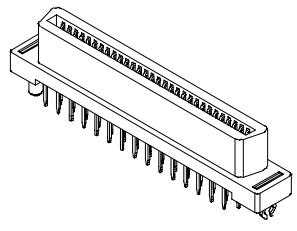
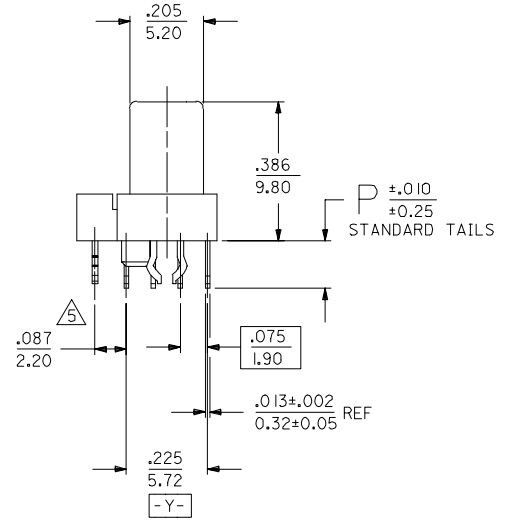
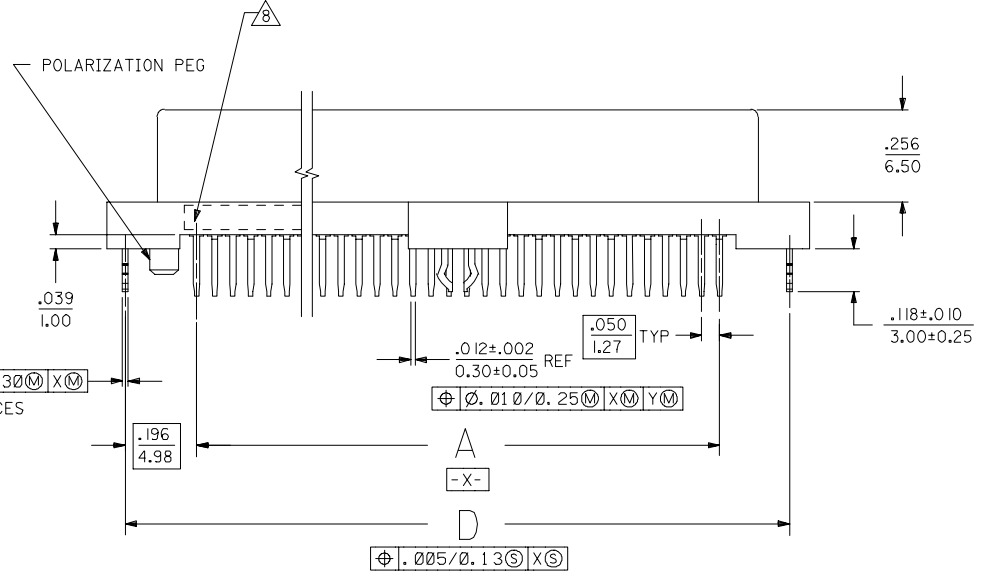
13 12 11 10 9 8 7 6 5 4 3 2 1

J
I
H
G
F
E
D
C
B
A



NOTES:

- 1) MATERIALS:
HOUSING- LCP, GLASS FILLED, 94V-0, BLACK.
TERMINALS- COPPER ALLOY
METAL PEGS- COPPER ALLOY
 - 2) FINISH:
TERMINALS:
.000030/(0.00076) MINIMUM GOLD IN CONTACT AREA OVER
.000050/(0.00127) MINIMUM TIN IN TAIL AREA OVER
.000075/(0.00191) MINIMUM NICKEL UNDERPLATE OVERALL.
 - 3) ASSEMBLY MATES WITH MOLEX P/N SDA-71661-****.
 - 4) CONFORMS TO PRODUCT SPECIFICATION PS-71660.
- 5) CENTER PEG IS ONLY ON I20 AND I30 CIRCUIT ASSEMBLIES.
6) RECOMMENDED P.C. BOARD THICKNESS IS .062 (1.6).
7) CONNECTOR WILL ACCEPT MATING TO A P.C. BOARD WITH A THICKNESS OF .062±.003.
8) FOUR DIGIT DATE CODE (WK YR), EXAMPLE => 26 96 LOCATED IN AREA INDICATED.
9) PRODUCT TO BE PACKAGED IN TUBES



60 CIRCUIT ASSEMBLY SHOWN
SCALE 2:1

ADD 71660-9980 EC NO: UCP2007-0593 DRAWN:MSIBARRA 2006/09/27 CHKD:DMORGAN 2006/09/26 APPR:SMILLER 2006/09/27	DESCRIPTION REV	QUALITY SYMBOLS =0 =0
--	--------------------	-----------------------------

GENERAL TOLERANCES (UNLESS SPECIFIED)	
	mm INCH
4 PLACES ±---	±---
3 PLACES ±---	±.005
2 PLACES ±0.13	±.01
1 PLACE ±0.25	±---
ANGULAR ±1/2°	
DRAFT WHERE APPLICABLE MUST REMAIN WITHIN DIMENSIONS	

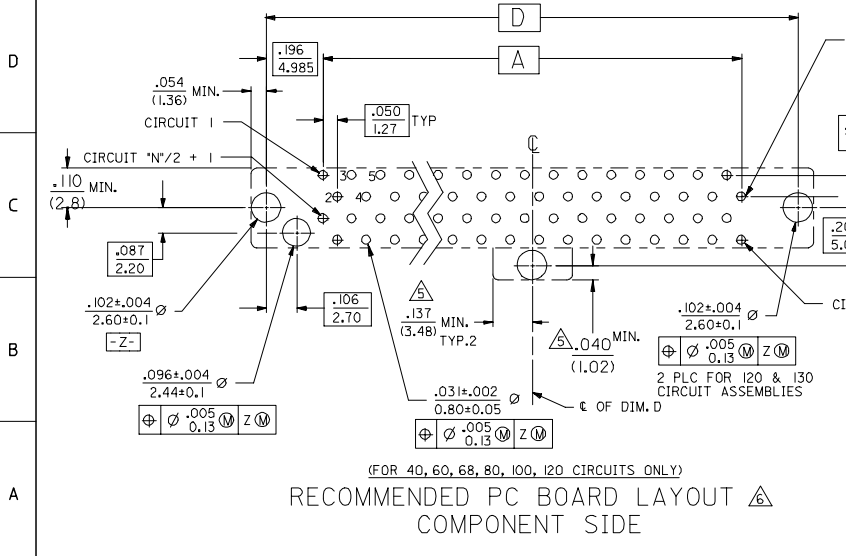
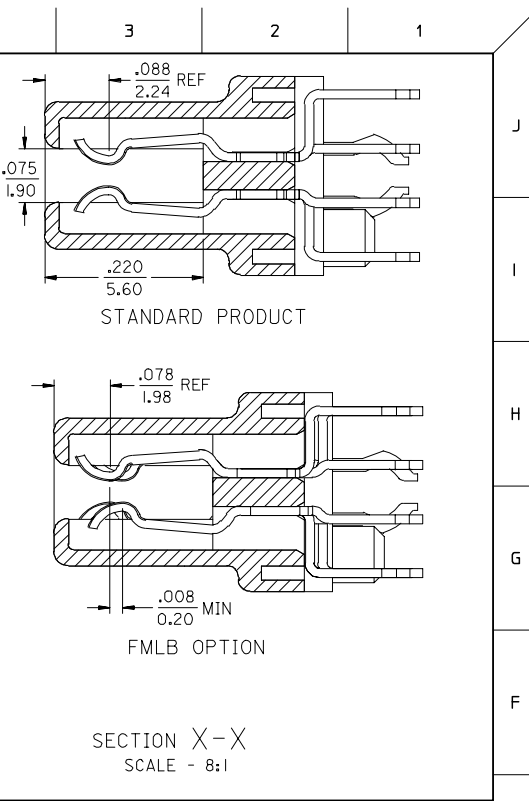
DIMENSION STYLE	
IN/MM	
DRAWN BY	DATE
RKADAMS	08/11/2004
CHECKED BY	DATE
BBARKER	08/11/2004
APPROVED BY	DATE
SMILLER	08/11/2004
MATERIAL NO.	
SEE TABLE	

SCALE	DESIGN UNITS	THIRD ANGLE PROJECTION
4:1	INCH	
SALES ASSEMBLY MOLEX EBBI 50D VERTICAL RECEPTACLE CONNECTOR		
MATERIAL NO. SD-71660-006		DOCUMENT NO. SD-71660-006
SHEET NO. 1 OF 2		

2	C
1	C
SHT	REV

12 11 10 9 8 7 6 5 4 3 2 1

	13	12	11	10	9	8	7	6	5	4	3	2	1
	ITEM NUMBER		CKT ('N')	A	B	C	D	P	ADVANCED TERMINALS / CKTS SEE SECTION X-X "FMLB OPT"				
J			30	.700 (17.78)	.918 (23.32)	1.199 (30.45)	1.092 (27.75)						
			40	.950 (24.13)	1.168 (29.67)	1.449 (36.80)	1.342 (34.10)						
			50	1.200 (30.48)	1.418 (36.02)	1.699 (43.15)	1.592 (40.45)						
I		71660-9960	60	1.450 (36.83)	1.668 (42.37)	1.949 (49.50)	1.842 (46.80)	.134 (3.40)	N/A				
		71660-9968	68	1.650 (41.91)	1.868 (47.45)	2.149 (54.58)	2.042 (51.88)						
		71660-9980	80	1.950 (49.53)	2.168 (55.07)	2.449 (62.20)	2.342 (59.50)						
			100	2.450 (62.23)	2.668 (67.77)	2.949 (74.90)	2.842 (72.20)						
			120	2.950 (74.93)	3.168 (80.47)	3.449 (87.60)	3.342 (84.90)						
			130	3.200 (81.28)	3.418 (86.82)	3.699 (93.95)	3.592 (91.25)						
H		71660-1450	30	.700 (17.78)	.918 (23.32)	1.199 (30.45)	1.092 (27.75)						
			40	.950 (24.13)	1.168 (29.67)	1.449 (36.80)	1.342 (34.10)						
			50	1.200 (30.48)	1.418 (36.02)	1.699 (43.15)	1.592 (40.45)						
		71660-1863	60	1.450 (36.83)	1.668 (42.37)	1.949 (49.50)	1.842 (46.80)	.110 (2.79)	N/A				
		71660-1083	68	1.650 (41.91)	1.868 (47.45)	2.149 (54.58)	2.042 (51.88)						
			80	1.950 (49.53)	2.168 (55.07)	2.449 (62.20)	2.342 (59.50)						
			100	2.450 (62.23)	2.668 (67.77)	2.949 (74.90)	2.842 (72.20)						
			120	2.950 (74.93)	3.168 (80.47)	3.449 (87.60)	3.342 (84.90)						
G		71660-1491	100	2.450 (62.23)	2.668 (67.77)	2.949 (74.90)	2.842 (72.20)						
			120	2.950 (74.93)	3.168 (80.47)	3.449 (87.60)	3.342 (84.90)						
			130	3.200 (81.28)	3.418 (86.82)	3.699 (93.95)	3.592 (91.25)						
F			50	1.200 (30.48)	1.418 (36.02)	1.699 (43.15)	1.592 (40.45)	.134 (3.40)	2-4, 8-11, 14, 17, 20, 23, 26-29, 31, 32, 34, 36, 39, 42, 45, 48, 49				
			30	.700 (17.78)	.918 (23.32)	1.199 (30.45)	1.092 (27.75)						
			40	.950 (24.13)	1.168 (29.67)	1.449 (36.80)	1.342 (34.10)						
			50	1.200 (30.48)	1.418 (36.02)	1.699 (43.15)	1.592 (40.45)						
			60	1.450 (36.83)	1.668 (42.37)	1.949 (49.50)	1.842 (46.80)	.155 (3.94)	N/A				
			68	1.650 (41.91)	1.868 (47.45)	2.149 (54.58)	2.042 (51.88)						
			80	1.950 (49.53)	2.168 (55.07)	2.449 (62.20)	2.342 (59.50)						
			100	2.450 (62.23)	2.668 (67.77)	2.949 (74.90)	2.842 (72.20)						
			120	2.950 (74.93)	3.168 (80.47)	3.449 (87.60)	3.342 (84.90)						
E			130	3.200 (81.28)	3.418 (86.82)	3.699 (93.95)	3.592 (91.25)						



QUALITY SYMBOLS	GENERAL TOLERANCES (UNLESS SPECIFIED)	DIMENSION STYLE		SCALE	DESIGN UNITS	THIRD ANGLE PROJECTION	
		IN/MM	INCH	4:1	INCH		
ADD 71660-9980 FC NO: UCP2007-0593 DRAWN BY: BARBARA 2006/09/21 CHKD: JORGAN 2006/09/26 APPR: SMILLER 2006/09/27	4 PLACES ± --- ± ---	DRAWN BY	DATE	TITLE			
	3 PLACES ± --- ± .005	RKADAMS	08/11/2004	SALES ASSEMBLY			
	2 PLACES ± 0.13 ± .01	BBARKER	08/11/2004	MOLEX EBBI 50D VERTICAL			
	1 PLACE ± 0.25 ± ---	APPROVED BY	DATE	RECEPTACLE CONNECTOR			
ANGULAR ±1/2°	SMILLER	08/11/2004	MATERIAL NO.		DOCUMENT NO.		SHEET NO.
DRAFT WHERE APPLICABLE MUST REMAIN WITHIN DIMENSIONS	SEE TABLE	SD-71660-006		MOLEX INCORPORATED		2	
THIS DRAWING CONTAINS INFORMATION THAT IS PROPRIETARY TO MOLEX INCORPORATED AND SHOULD NOT BE USED WITHOUT WRITTEN PERMISSION							