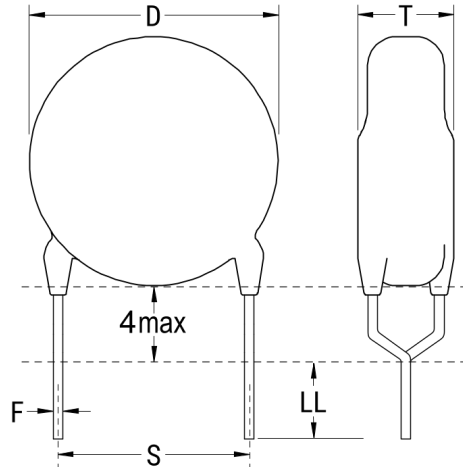


C951U102KWYDBAWL50

Not for New Design

C900AS SFTY X1-760 Y1-500, Ceramic, 1000 pF, 10%, 760 VAC (X1), 500 VAC (Y1), Y5P, Lead Spacing = 10mm



Click [here](#) for the 3D model.

Dimensions

D	12mm MAX
T	7mm MAX
S	10mm +/-1mm
LL	5mm +/-1mm
F	0.55mm +/-0.1mm

Packaging Specifications

Packaging	Bulk, Bag
Packaging Quantity	500

General Information

Series	C900AS SFTY X1-760 Y1-500
Style	Radial Disc
RoHS	Yes
Termination	Tin
Failure Rate	N/A
Qualifications	UL, ENEC, VDE, CSA, CAN
AEC-Q200	No
Halogen Free	Yes

Specifications

Capacitance	1000 pF
Capacitance Tolerance	10%
Voltage AC	760 VAC (X1), 500 VAC (Y1)
Dielectric Withstanding Voltage	4000 VDC
Temperature Range	-40/+125°C
Temperature Coefficient	Y5P
Dissipation Factor	2.5%
Insulation Resistance	10 GOhms
Safety Class	X1/Y1

Statements of suitability for certain applications are based on our knowledge of typical operating conditions for such applications, but are not intended to constitute - and we specifically disclaim - any warranty concerning suitability for a specific customer application or use. This information is intended for use only by customers who have the requisite experience and capability to determine the correct products for their application. Any technical advice inferred from this information or otherwise provided by us with reference to the use of our products is given gratis, and we assume no obligation or liability for the advice given or results obtained.