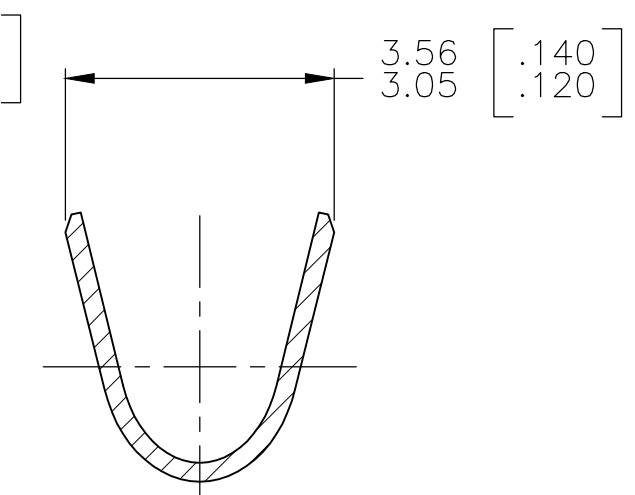
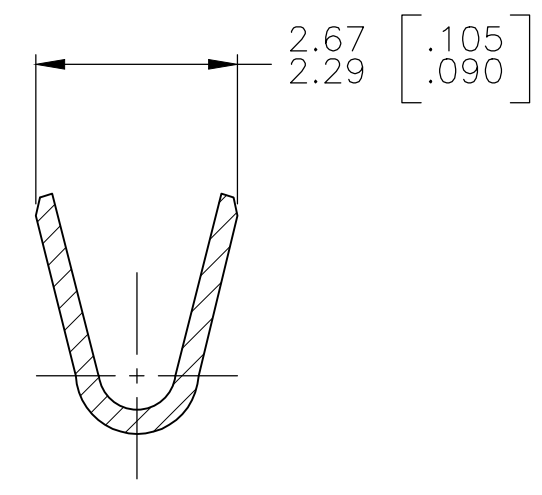
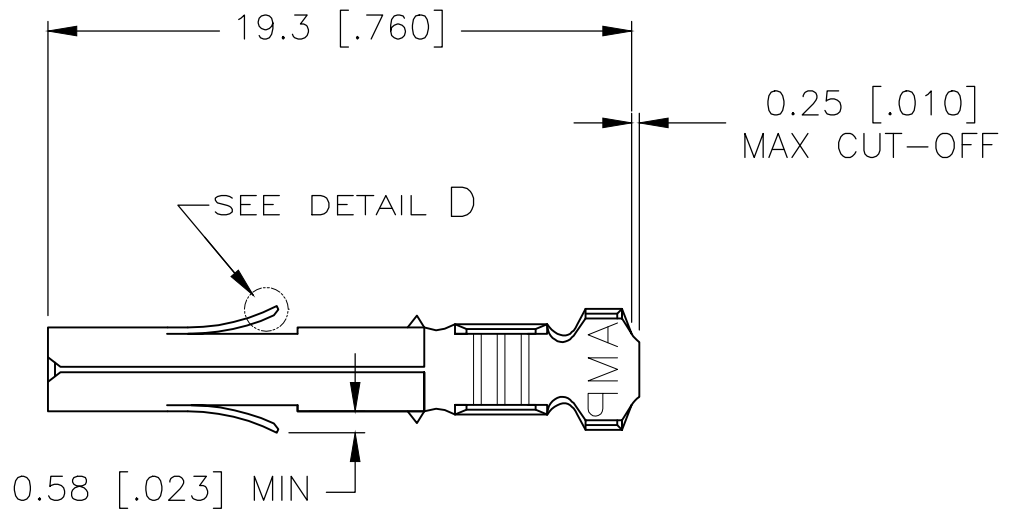
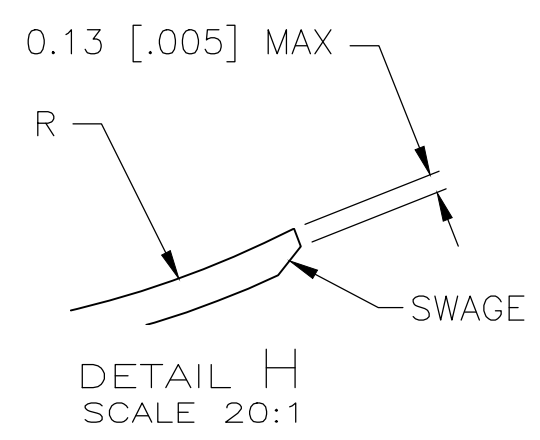


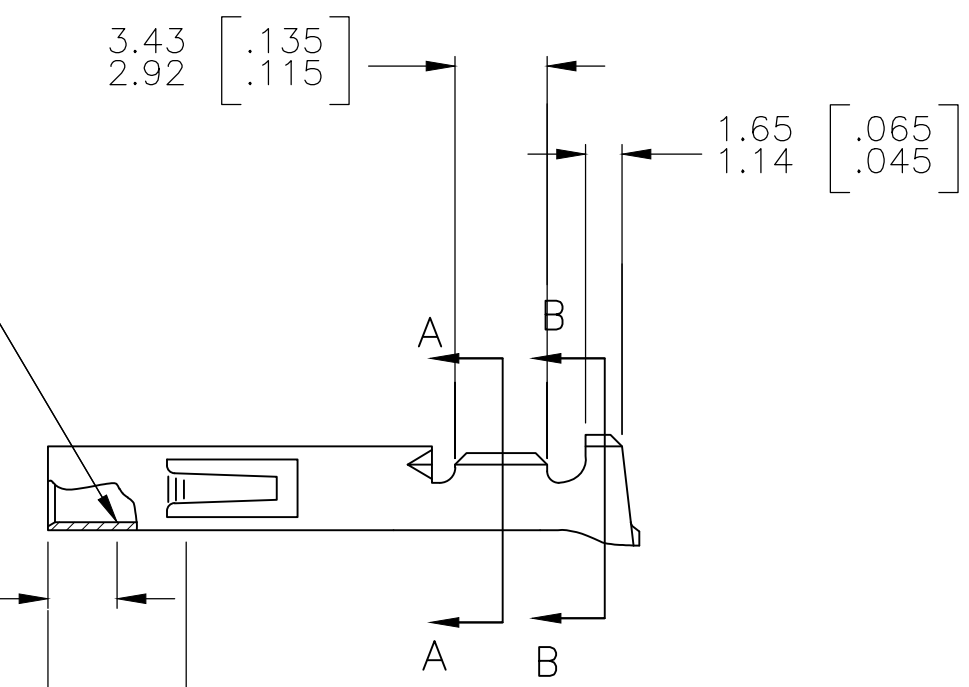
THIS DRAWING IS UNPUBLISHED. RELEASED FOR PUBLICATION
 © COPYRIGHT - By - ALL RIGHTS RESERVED.

REVISIONS					
P	LTR	DESCRIPTION	DATE	DWN	APVD
	H1	REVISED PER ECO-18-005506	11APR2018	RS	SF

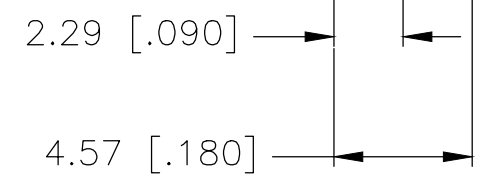
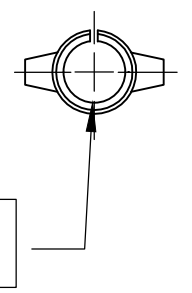


SECTION A-A
 SCALE 10:1

SECTION B-B
 SCALE 10:1



POINT OF MEASUREMENT



LOCALIZED GOLD PLATE AREA



0.00076 [.000030] THICK GOLD OVER NICKEL ON INSIDE OF RECEPTACLE AND WIRE BARREL AND REMAINDER OF CONTACT IS NICKEL PLATED.

2 24 -18 AWG.

3 INSULATION RANGE: 1.02-2.54 [.040-.100] DIA.



GOLD	0.3 [.012] BRASS	640347-2
PRE-TIN	0.3 [.012] BRASS	640347-1
FINISH	MATERIAL	PART NUMBER

THIS DRAWING IS A CONTROLLED DOCUMENT.		DWN K. WHITAKER 14MAR2007	TE Connectivity Ltd.				
DIMENSIONS: mm [INCHES]		CHK D. COLEY 14MAR2007					
TOLERANCES UNLESS OTHERWISE SPECIFIED:		APVD D. COLEY 14MAR2007	NAME SOCKET, MATE-N-LOK(TM), LOOSE PIECE				
0 PLC ± - 1 PLC ± - 2 PLC ± 0.38[.015] 3 PLC ± - 4 PLC ± - ANGLES ± 0°30'		PRODUCT SPEC -	APPLICATION SPEC -				
MATERIAL -		FINISH -	WEIGHT 0.000000	SIZE A3	CAGE CODE 00779	DRAWING NO C-640347	RESTRICTED TO -
CUSTOMER DRAWING			SCALE 4:1	SHEET 1 OF 1	REV H1		