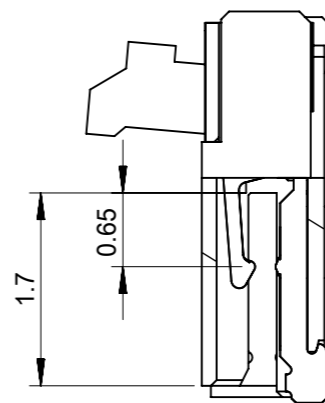
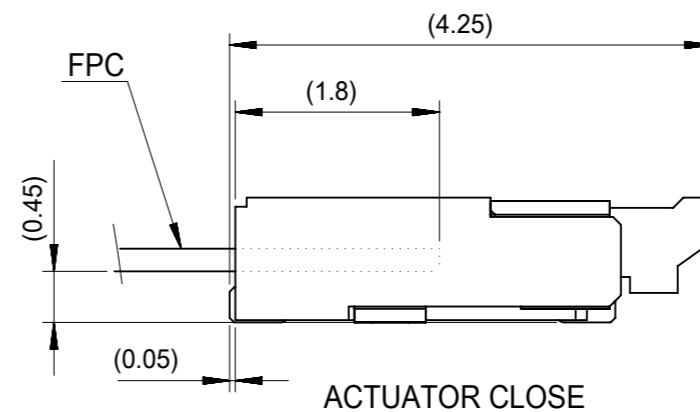
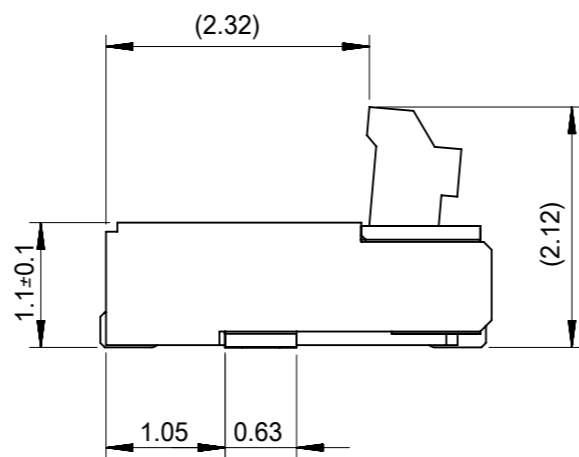


SECTION Z-Z



SECTION Y-Y



ACTUATOR CLOSE

部品構成

- 1.ハウジング・・・材質：耐熱性樹脂 黒色 UL94V-0
HOUSING
MATERIAL :HEAT RESISTANT POLYMER BLACK UL94-V0
- 2.奇数タ-ミナル・・・材質：銅合金
ODD TERMINAL MATERIAL :COPPER ALLOY
処理：ニッケル下地部分金メッキ (接触部及びテ-ル部)
FINISH :PARTLY GOLD(CONTACT, TAIL) OVER NICKEL PLATING
- 3.偶数タ-ミナル・・・材質：銅合金
EVEN TERMINAL MATERIAL: COPPER ALLOY
処理：ニッケル下地部分金メッキ (接触部及びテ-ル部)
FINISH :PARTLY GOLD(CONTACT, TAIL) OVER NICKEL PLATING
- 4.アクチュエ-タ・・・材質：耐熱性樹脂 灰色 UL94V-0
ACTUATOR
MATERIAL :HEAT RESISTANT POLYMER GRAY UL94-V0
- 5.ネイル・・・材質：銅合金
NAIL MATERIAL: COPPER ALLOY
処理：ニッケル下地すずめっき
FINISH :TIN OVER NICKEL PLATING

| | | | | | | | |
|------|------|------|------|------|---------------|--------------|---------|
| 15.6 | 15.8 | 14.4 | 15.0 | 17.2 | 501616-5185 | 501616-5150 | 51 |
| 13.8 | 14.0 | 12.6 | 13.2 | 15.4 | 501616-4585 | 501616-4550 | 45 |
| 12.0 | 12.2 | 10.8 | 11.4 | 13.6 | 501616-3985 | 501616-3950 | 39 |
| 10.8 | 11.0 | 9.6 | 10.2 | 12.4 | 501616-3585 | 501616-3550 | 35 |
| E | D | (C) | (B) | A | EMBOSSED TAPE | MATERIAL NO. | CIRCUIT |
| | | | | | ORDER No. | | |

THIS DRAWING CONTAINS INFORMATION THAT IS PROPRIETARY TO MOLEX ELECTRONIC TECHNOLOGIES, LLC AND SHOULD NOT BE USED WITHOUT WRITTEN PERMISSION

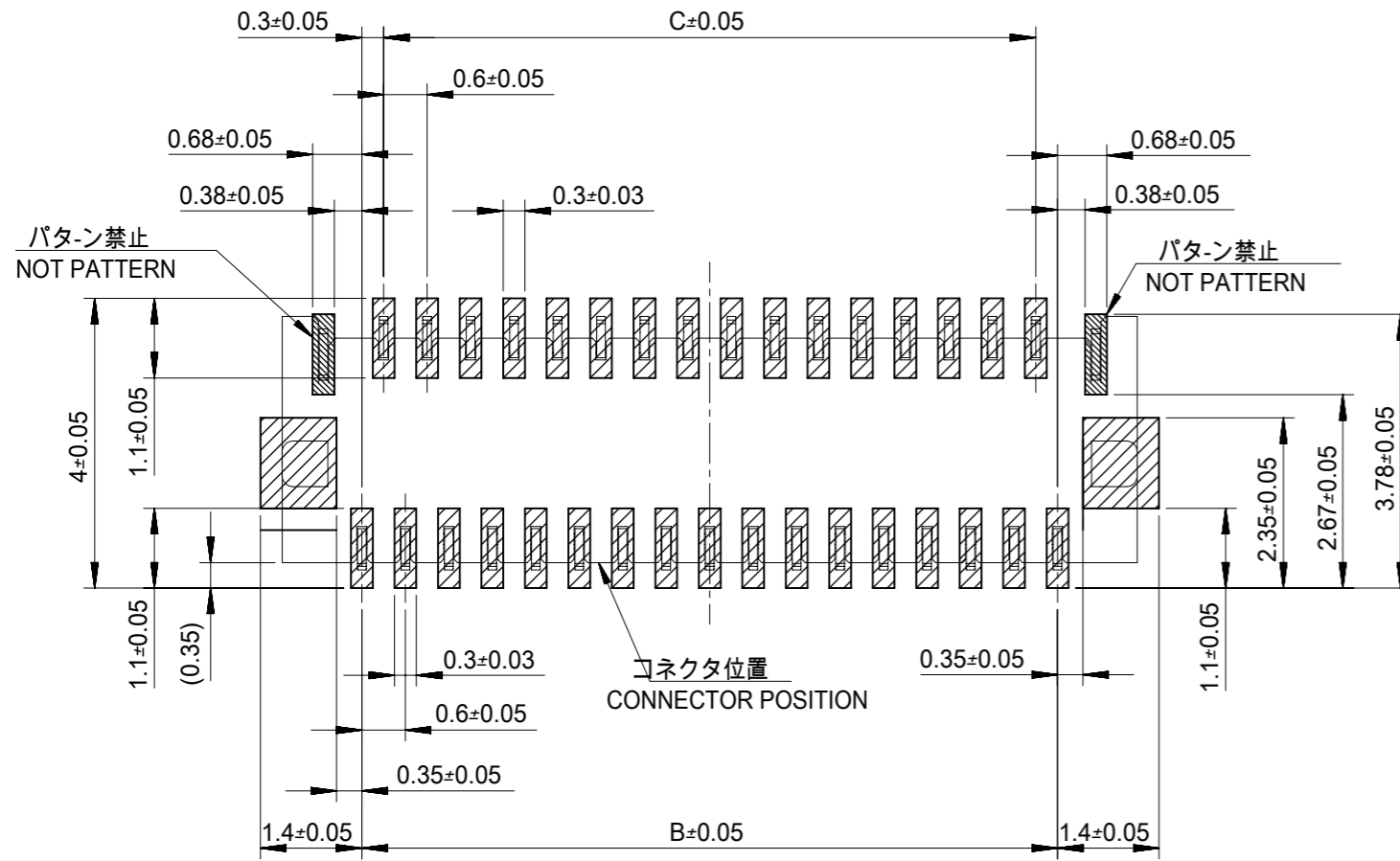
| | | | |
|--|------------------------|-------------------|--------------------------|
| DIMENSION UNITS | SCALE | CURRENT REV DESC: | |
| mm | 15:1 | | |
| GENERAL TOLERANCES (UNLESS SPECIFIED) | | EC NO: 174752 | |
| | MM | INCH | |
| 4 PLACES | ± 0.2 | ± | DRWN: GB 2018/04/09 |
| 3 PLACES | ± 0.25 | ± | CHK'D: GGA 2018/05/18 |
| 2 PLACES | ± 0.3 | ± | APPR: GGA 2018/05/18 |
| 1 PLACE | ± 0.1 | ± | INITIAL REVISION: |
| 0 PLACES | ± | ± | DRWN: K.SATO 2007/01/26 |
| ANGULAR TOL | ± 3.0° | | APPR: M.SASAO 2007/01/26 |
| DRAFT WHERE APPLICABLE MUST REMAIN WITHIN DIMENSIONS | THIRD ANGLE PROJECTION | DRAWING | SERIES |
| | | A3-SIZE | 501616 |
| MATERIAL NUMBER | | CUSTOMER | SHEET NUMBER |
| SEE CHART | | GENERAL MARKET | 1 OF 2 |

molex

0.3 FPC CONN. E/O H=1.1
HSG ASSY LONG ACTUATOR

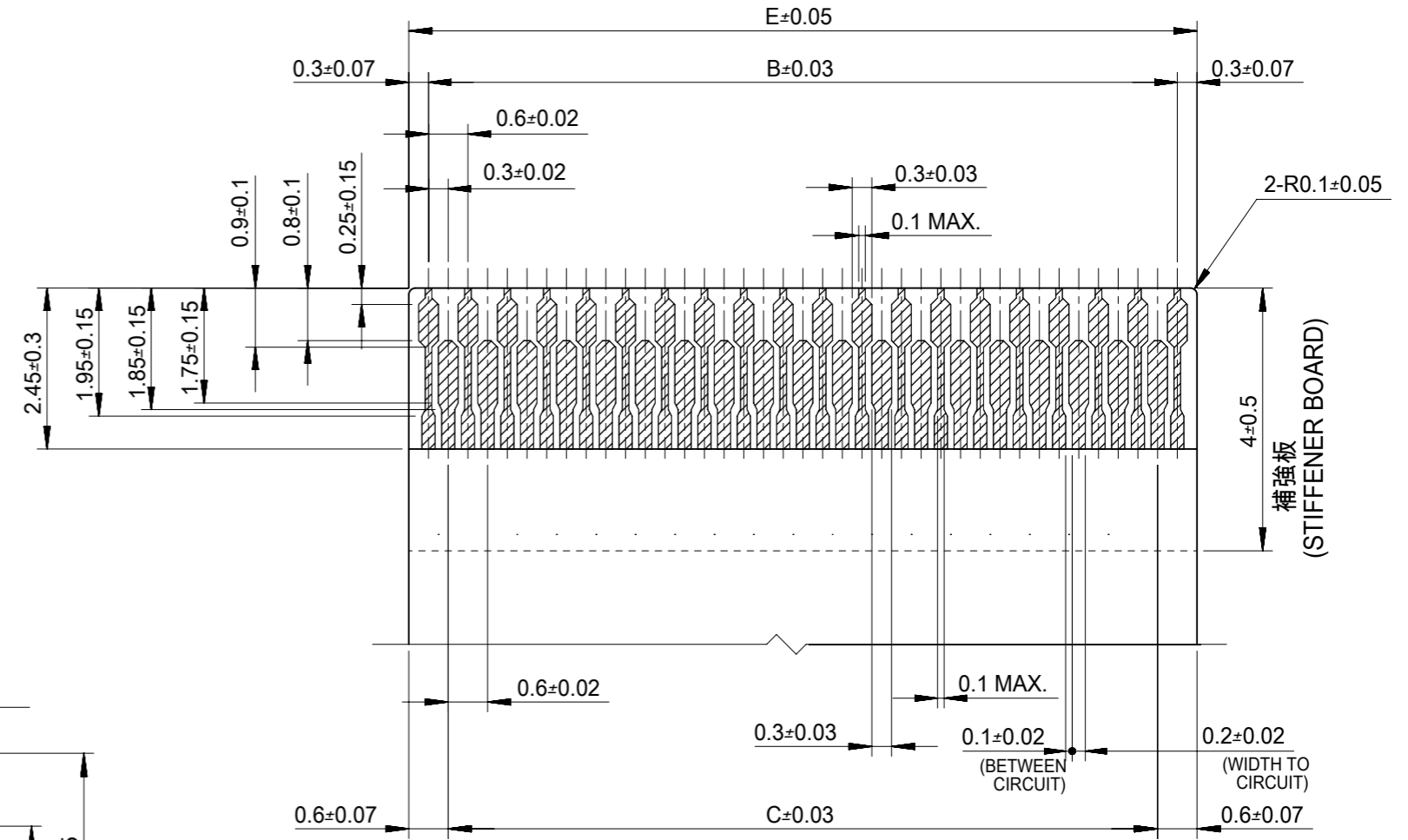
PRODUCT CUSTOMER DRAWING

| | | | |
|-----------------|----------|----------|----------|
| DOCUMENT NUMBER | DOC TYPE | DOC PART | REVISION |
| SD-501616-007 | PSD | 001 | D |



参考基板レイアウト (マウント面)
P.C. BOARD PATTERN
DIM.(REF.)

注記
 1. 基板実装前にアクチュエータを操作しないで下さい。
 PLEASE DO NOT OPERATE THE ACTUATOR BEFORE MOUNTING.
 必ず基板に実装し、FPCを挿入してからアクチュエータを操作して下さい。
 PLEASE OPERATE THE ACTUATOR AFTER MOUNTING ON
 THE SUBSTRATE, AND MATING FPC.
 2. ELV及びRoHS適合品
 ELV AND RoHS COMPLIANT
 3. 本製品は上面接触品です。下面接続で使用しないでください。
 THIS CONNECTOR IS UPPER CONTACT TYPE.
 PLEASE DO NOT USE AS LOWER CONTACT TYPE.

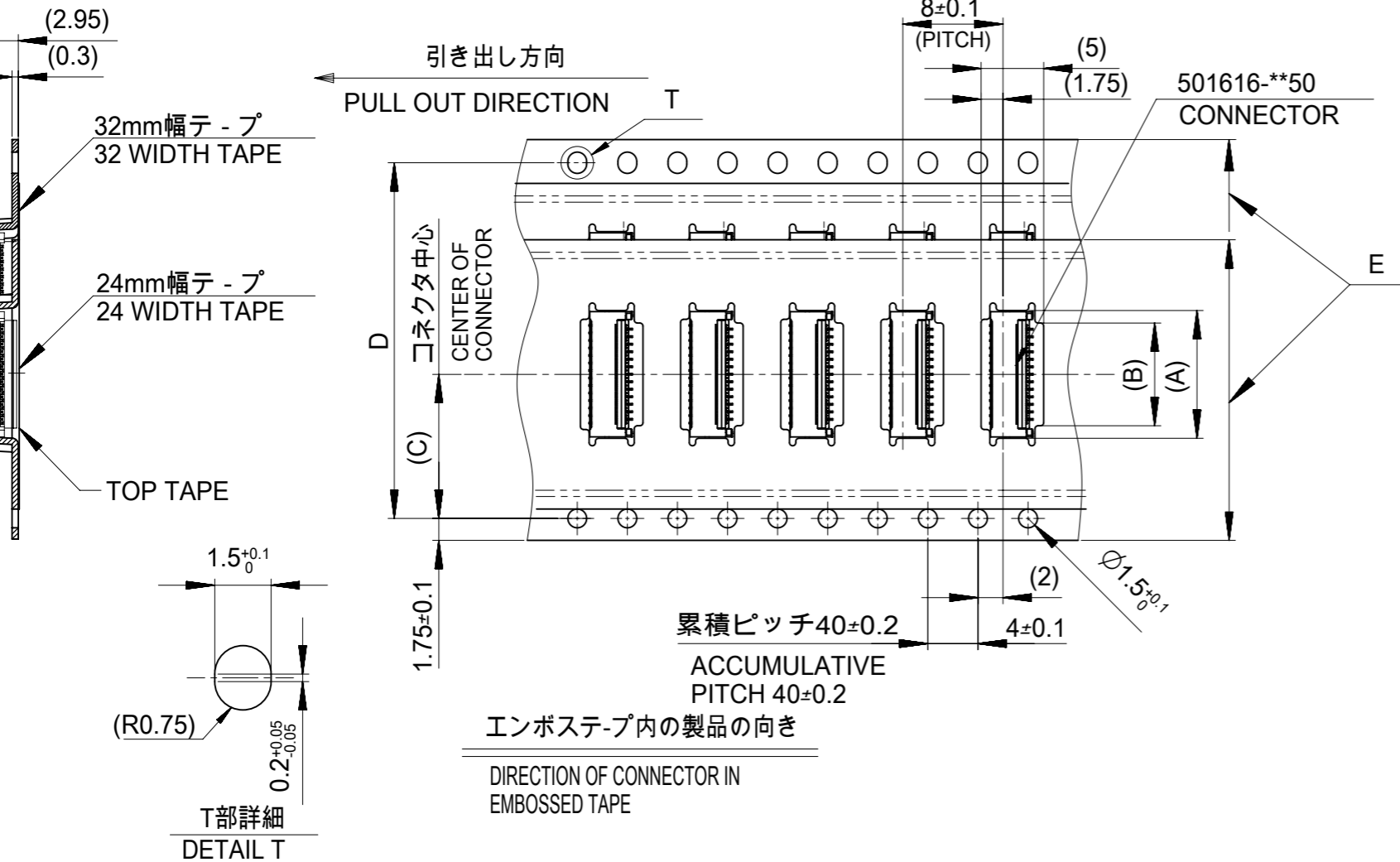
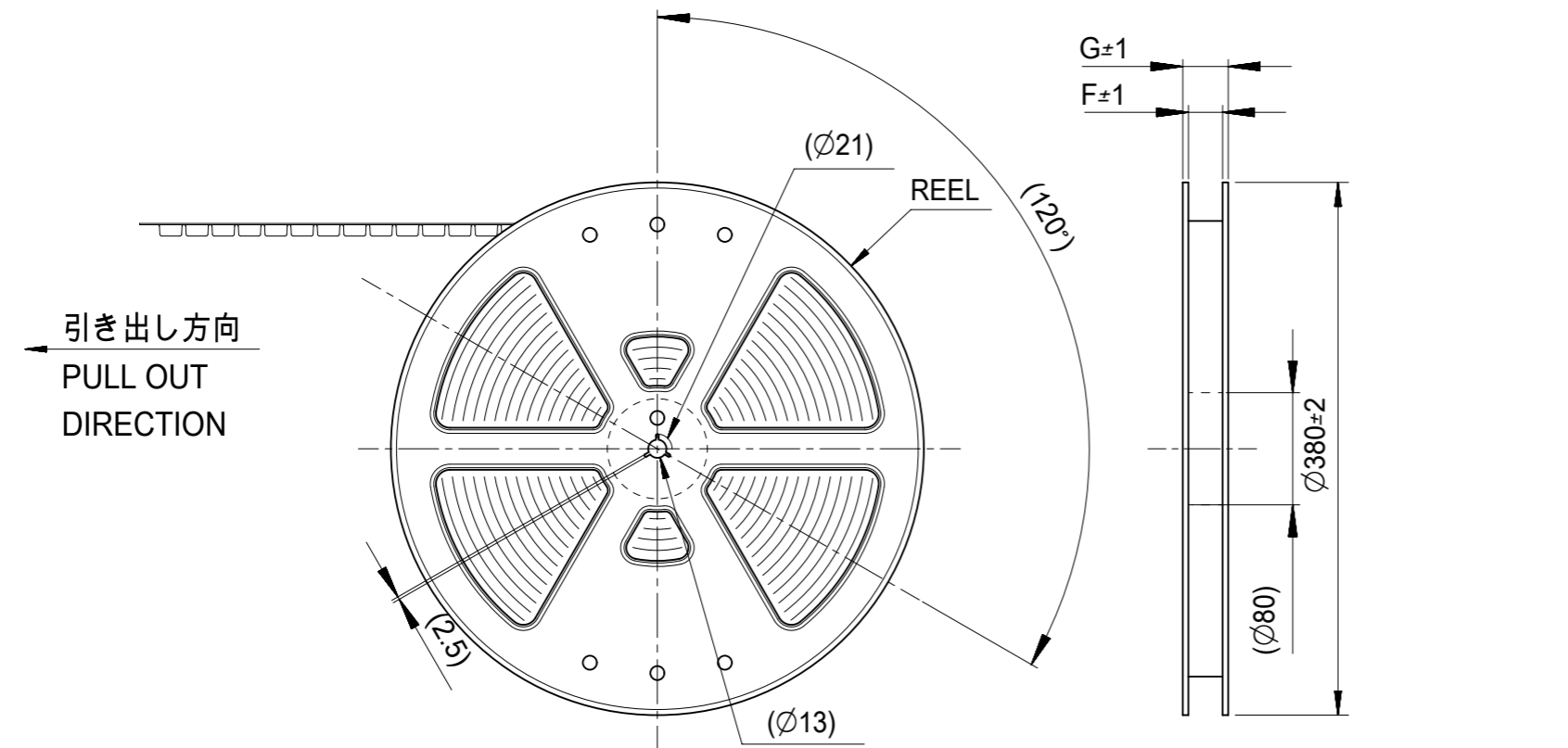


適合FPC推奨寸法
 仕上がり厚さ : 0.2±0.03
 APPLY FPC
 RECOMMENDED DIM.
 THICKNESS : 0.2±0.03

| | | | | | |
|------|------|------|----------------------------|--------------|---------|
| 15.6 | 14.4 | 15.0 | 501616-5185 | 501616-5150 | 51 |
| 13.8 | 12.6 | 13.2 | 501616-4585 | 501616-4550 | 45 |
| 12.0 | 10.8 | 11.4 | 501616-3985 | 501616-3950 | 39 |
| 10.8 | 9.6 | 10.2 | 501616-3585 | 501616-3550 | 35 |
| E | C | B | EMBOSSED TAPE ORDER No. | MATERIAL NO. | CIRCUIT |

THIS DRAWING CONTAINS INFORMATION THAT IS PROPRIETARY TO MOLEX ELECTRONIC TECHNOLOGIES, LLC AND SHOULD NOT BE USED WITHOUT WRITTEN PERMISSION

| | | | | | | | | | |
|---------------------------------------|-------|---|--|-----------------|--|-----------------------|--|----------------------------|--|
| DIMENSION UNITS | SCALE | CURRENT REV DESC: | | | | | | | |
| mm | 10:1 | molex 0.3 FPC CONN. E/O H=1.1 HSG ASSY LONG ACTUATOR PRODUCT CUSTOMER DRAWING | | | | | | | |
| GENERAL TOLERANCES (UNLESS SPECIFIED) | | | | | | EC NO: 174752 | | DOCUMENT NUMBER | |
| | | | | | | DRWN: GB 2018/04/09 | | SD-501616-007 | |
| | | | | | | CHK'D: GGA 2018/05/18 | | DOC TYPE DOC PART REVISION | |
| | | APPR: GGA 2018/05/18 | | PSD 001 D | | | | | |
| 4 PLACES ± 0.2 ± | | INITIAL REVISION: | | MATERIAL NUMBER | | | | | |
| 3 PLACES ± 0.25 ± | | DRWN: K.SATO 2007/01/26 | | CUSTOMER | | | | | |
| 2 PLACES ± 0.3 ± | | APPR: M.SASAO 2007/01/26 | | GENERAL MARKET | | | | | |
| 1 PLACE ± 0.1 ± | | DRAFT WHERE APPLICABLE MUST REMAIN WITHIN DIMENSIONS | | SHEET NUMBER | | | | | |
| 0 PLACES ± ± | | THIRD ANGLE PROJECTION | | 2 OF 2 | | | | | |
| ANGULAR TOL ± 3.0° | | DRAWING | | | | | | | |
| | | A3-SIZE | | | | | | | |
| | | SERIES | | | | | | | |
| | | 501616 | | | | | | | |

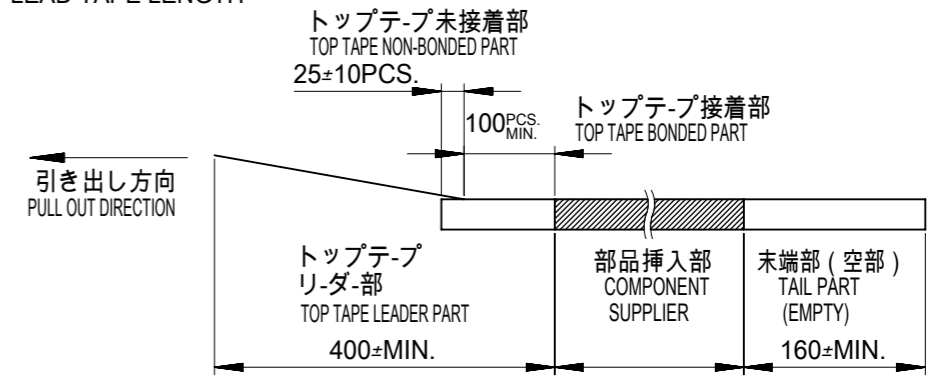


NOTES

1. 製品 (501616-**-50) の詳細寸法については、
図面 SD-501616-007 をご参照下さい。
IN THE PACKAGE, PART NO. 501616-**-50 DETAILED DIMENSIONS,
REFER TO SALES DRAWING NO. SD-501616-007.

2. 梱包数量 : 3000個/リール
NUMBER OF CONNECTORS : 3000 PCS/REEL

3. リードテープ長さ
LEAD TAPE LENGTH



4. 材料
キャリアテープ : ポリスチレン (PS)
トップテープ : PET, PE, PEF
リール : ポリスチレン (PS) <リサイクル材を含む>

MATERIAL
CARRIER TAPE : POLYSTYRENE (PS)
TOP TAPE : PET, PE, PEF
REEL : POLYSTYRENE (PS) <RECYCLE MATERIAL CONTAINED>

5. ELV及びRoHS適合品
ELV AND RoHS COMPLIANT

| | | | | | | | | | |
|------|------|-----------------------------------|------|------|------|------|-------------|--------------------------------------|---------------|
| 37.4 | 33.4 | 32±0.3 | 28.4 | 14.2 | 15.4 | 17.4 | 501616-5185 | 51 | |
| 29.4 | 25.4 | 24±0.3 | ++ | 11.5 | 13.6 | 15.6 | 501616-4585 | 45 | |
| | | | | | 11.8 | 13.8 | 501616-3985 | 39 | |
| | | | | | 10.6 | 12.6 | 501616-3585 | 35 | |
| G | F | E キャリアテープ幅 EMBOSSED TAPE WIDTH | | D | C | B | A | EMBOSSED PACKAGE オーダー番号 ORDER No. | 極数 CIRCUIT |

THIS DRAWING CONTAINS INFORMATION THAT IS PROPRIETARY TO MOLEX ELECTRONIC TECHNOLOGIES, LLC AND SHOULD NOT BE USED WITHOUT WRITTEN PERMISSION

| | | | | | | | |
|--|------------------------|---------------------------|------------------|------------------------------|----------------------------|--|--------|
| DIMENSION UNITS mm | SCALE NTS | CURRENT REV DESC: | | molex | | | |
| GENERAL TOLERANCES (UNLESS SPECIFIED) | | EC NO: 174752 | | | | | |
| 4 PLACES ± | MM INCH | DRWN: GB 2018/04/09 | | PRODUCT CUSTOMER DRAWING | | | |
| 3 PLACES ± | | CHK'D: GGA 2018/05/18 | | DOCUMENT NUMBER | | | |
| 2 PLACES ± | | APPR: GGA 2018/05/18 | | SD-501616-008 | | | |
| 1 PLACE ± 0.1 ± | | INITIAL REVISION: | | DOC TYPE DOC PART REVISION | | | |
| 0 PLACES ± | | DRWN: K. SATO 2007/05/14 | | PSD 001 D | | | |
| ANGULAR TOL ± ° | | APPR: M. SASAO 2007/05/14 | | SHEET NUMBER | | | |
| DRAFT WHERE APPLICABLE MUST REMAIN WITHIN DIMENSIONS | THIRD ANGLE PROJECTION | DRAWING A3-SIZE | SERIES 501616 | MATERIAL NUMBER SEE CHART | CUSTOMER GENERAL MARKET | | 1 OF 1 |