

4

3

2

1

THIS DRAWING IS UNPUBLISHED.

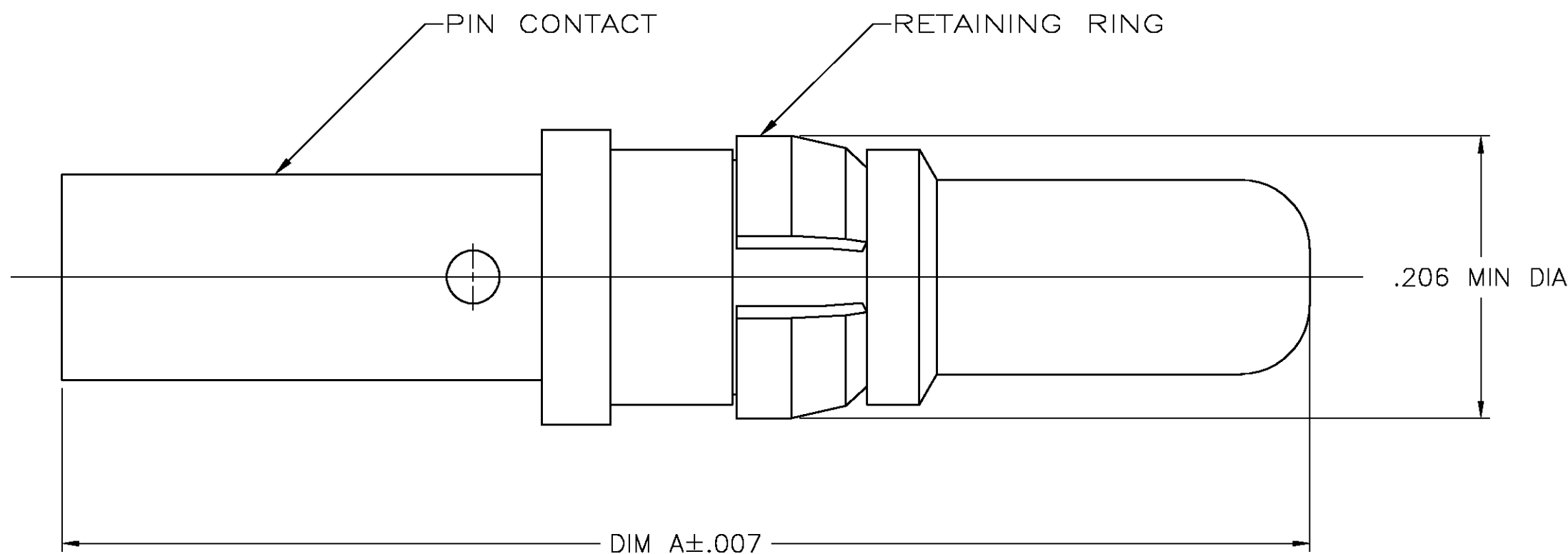
RELEASED FOR PUBLICATION

© COPYRIGHT - BY TYCO ELECTRONICS CORPORATION. ALL RIGHTS RESERVED.

LOC
FTDIST
0

REVISIONS

P	LTR	DESCRIPTION	DATE	DWN	APVD
	E	REVISED PER 0G3B-0280-05	3/16/05	SS	GS



.950	213662-2
.910	213662-1
DIM A	PART NUMBER

1. WIRE BARREL WILL ACCEPT 12-14 AWG WIRE.

2. PIN CONTACT: BRASS.
RING RETAINING: PHOSPHOR BRONZE.

3. $0.76\mu\text{m}$ [.000030] MIN GOLD OVER
 $1.27\mu\text{m}$ [.000050] MIN NICKEL.

4. $1.27\mu\text{m}$ [.000050] MIN NICKEL.

THIS DRAWING IS A CONTROLLED DOCUMENT.		DWN C DORWART 03/19/91	Tyco Electronics Corporation Harrisburg, Pa 17105-3608													
DIMENSIONS: INCHES		CHK J McCLINTON 3-25-91	Tyco Electronics													
TOLERANCES UNLESS OTHERWISE SPECIFIED:		APVD A TRAVIS 3-25-91	NAME PIN CONTACT ASSEMBLY, POWER VIII, METRIMATE													
<table border="1"> <tbody> <tr> <td>0 PLC</td> <td>± -</td> </tr> <tr> <td>1 PLC</td> <td>± -</td> </tr> <tr> <td>2 PLC</td> <td>± -</td> </tr> <tr> <td>3 PLC</td> <td>± .005</td> </tr> <tr> <td>4 PLC</td> <td>± -</td> </tr> <tr> <td>ANGLES</td> <td>± -</td> </tr> </tbody> </table>		0 PLC	± -	1 PLC	± -	2 PLC	± -	3 PLC	± .005	4 PLC	± -	ANGLES	± -	PRODUCT SPEC -	SIZE A3	
0 PLC	± -															
1 PLC	± -															
2 PLC	± -															
3 PLC	± .005															
4 PLC	± -															
ANGLES	± -															
MATERIAL -		APPLICATION SPEC -	CAGE CODE 00779	DRAWING NO C-213662												
FINISH PIN CONTACT: 3 RING RETAINING: 4		WEIGHT -	RESTRICTED TO -													
CUSTOMER DRAWING			SCALE 10:1	SHEET 1 OF 1												
			REV E													