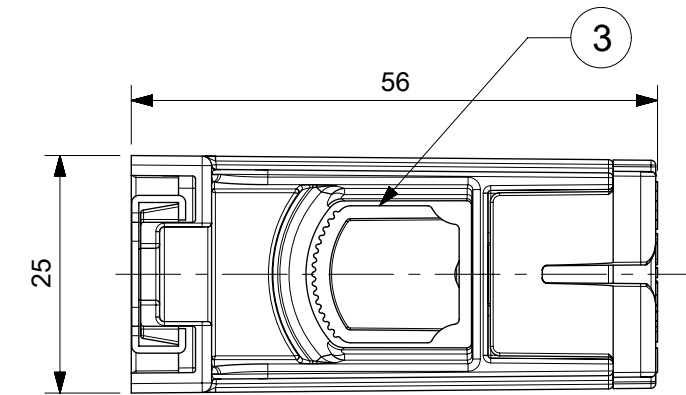
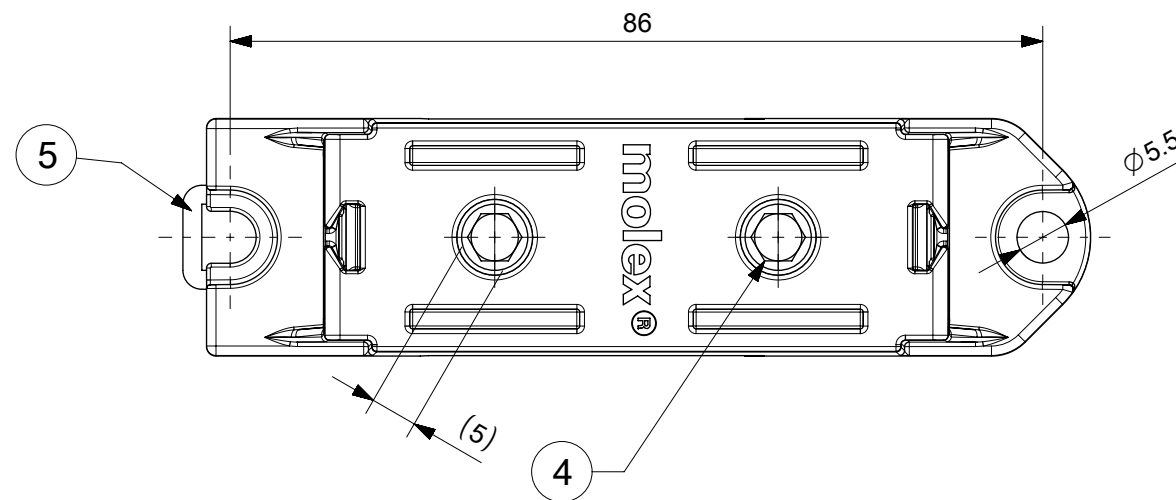
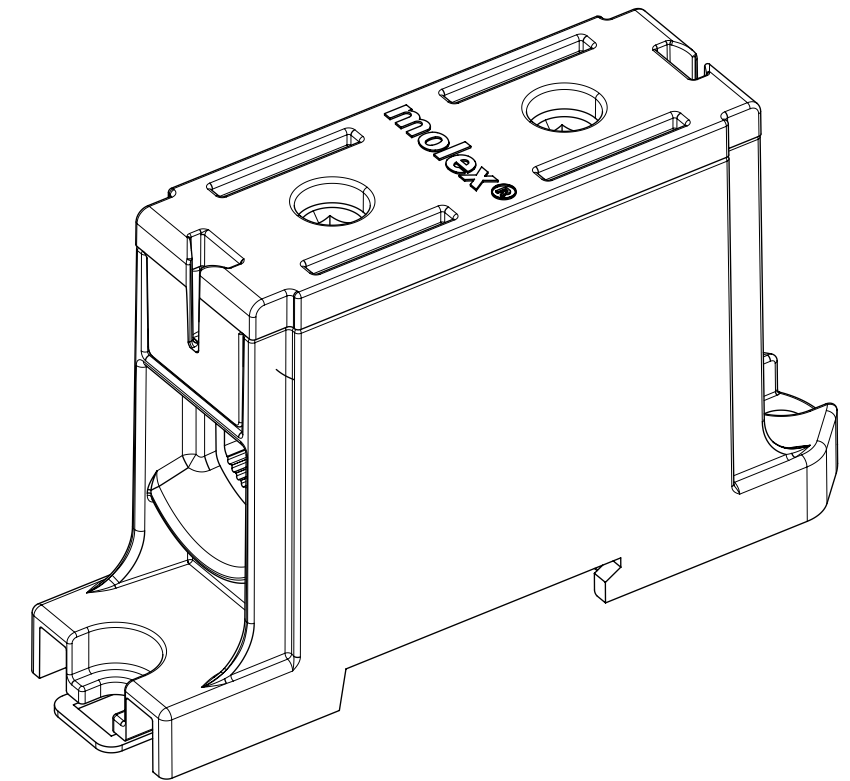
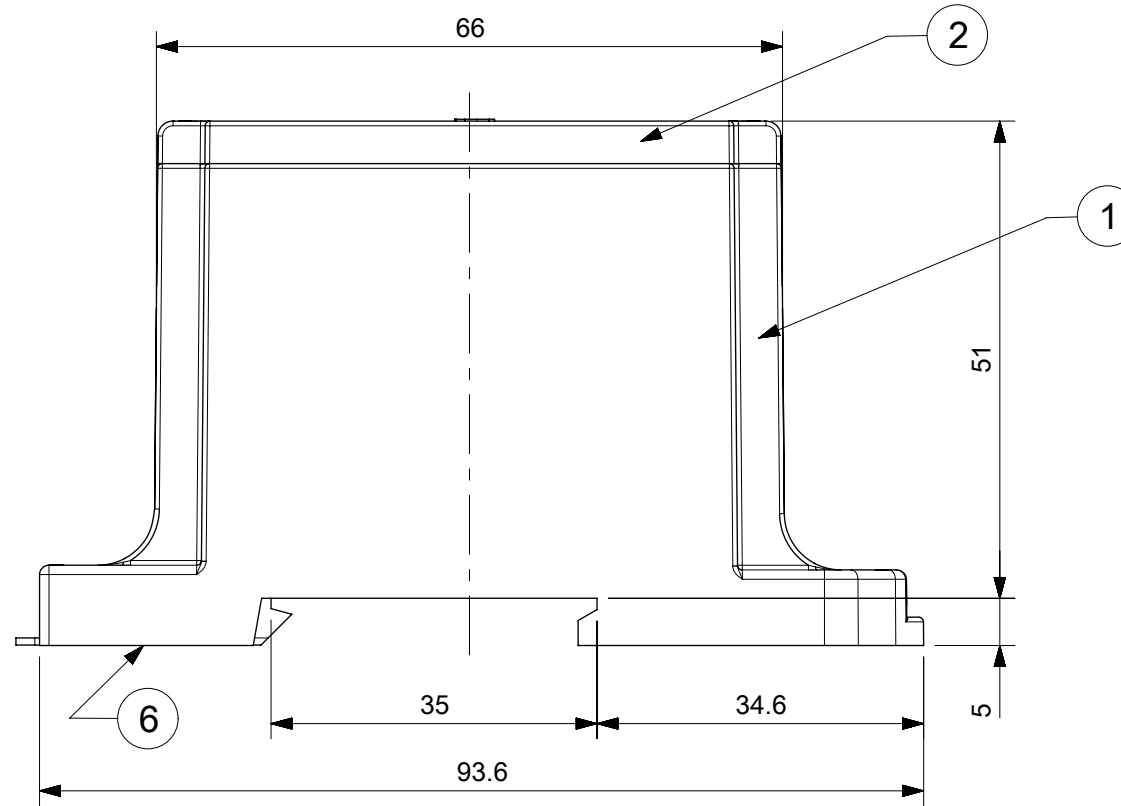


- NOTES:
1. MOUNTING TYPE: 35mm DIN RAIL OR SCREW.
 2. VOLTAGE: 1000 V (UL).
 3. CURRENT: Cu 230A, Al 180A.
 4. WIRE CROSS-SECTION RANGE, UL:
 - Cu 4-4/0 AWG (21-107mm²) STRANDED
 - Al 4-4/0 AWG (21-107mm²) STRANDED
 - Cu 3 X 6 AWG (3 X 13.3mm²) STRANDED
 - Cu 2 X 2-6 AWG (2 X 33.6-13.3mm²) STRANDED
 5. HEAD CAP SCREW WITH 5mm HEXAGON SOCKET SIZE.
USE A TOOL WITH LENGTH ALLOWING FOR A FULL SCREW ENGAGEMENT.
 6. RECOMMENDED TIGHTENING TORQUE:
126 Lb-In (14Nm).
 7. ALL ELECTRICAL AND MECHANICAL SPECIFICATIONS ARE PER UL1059 AS NOTED IN MOLEX UL AGENCY APPROVAL.
 8. THE SUITABILITY OF THESE TERMINALS SHALL BE DETERMINED IN THE END-USE INVESTIGATION.
 - 9 AS ENVIRONMENTAL BARRIER DIELECTRIC GREASE MAY BE PRESENT IN THE WIRING CHAMBER. ENSURE TO USE THE RECOMMENDED TIGHTING TORQUE FOR ALL CONDUCTORS.



| | | | | |
|-------------|----------------|-----------------------------|---------------|-------------|
| 2016061627 | MX-KE162.6 | UCLP 1PL GRY/BLK 230A/1000V | GREY | BLACK |
| 2016061625 | MX-KE162.4 | UCLP 1PL GRY/RED 230A/1000V | GREY | RED |
| 2016061623 | MX-KE162.2 | UCLP 1PL GRY/BLU 230A/1000V | GREY | BLUE |
| 2016061620 | MX-KE162 | UCLP 1PL GRY/GRY 230A/1000V | GREY | GREY |
| MATERIAL No | ENGINEERING No | DESCRIPTION | HOUSING COLOR | COVER COLOR |

THIS DRAWING CONTAINS INFORMATION THAT IS PROPRIETARY TO MOLEX ELECTRONIC TECHNOLOGIES, LLC AND SHOULD NOT BE USED WITHOUT WRITTEN PERMISSION

| ITEM | QTY | DESCRIPTION | MATERIAL |
|------|-----|---------------|-----------|
| 6 | 1 | SPRING, LATCH | STEEL |
| 5 | 1 | LATCH, DIN | STEEL |
| 4 | 2 | SCREW, SET | ALUMINUM |
| 3 | 1 | CAGE | ALUMINUM |
| 2 | 1 | COVER | POLYAMIDE |
| 1 | 1 | HOUSING | POLYAMIDE |

| TOLERANCE | >0.5=3 | >3=6 | >6=30 | >30=120 | >120=400 |
|------------|--------|------|-------|---------|----------|
| ISO 2768-m | ±0.1 | ±0.1 | ±0.2 | ±0.3 | ±0.5 |

| | | | | |
|--|---|--|--|---|
| EC NO: 120665 DRWN: WLEUNG CHKD: DNGUYEN62 APPR: JFMURPHY | 2017/08/14 2017/08/15 2017/08/18 | GENERAL TOLERANCES (UNLESS SPECIFIED) ANGULAR TOL ± ° | DIMENSION UNITS: mm SCALE: 1.5:1 | |
| | 4 PLACES ± 3 PLACES ± 2 PLACES ± 1 PLACE ± 0 PLACES ± | SEE CHART SEE CHART SEE CHART | DRAFT WHERE APPLICABLE MUST REMAIN WITHIN DIMENSIONS | DRAWING SIZE: B FIRST ANGLE PROJECTION |
| | DRWN BY: WLEUNG DATE: 2017/08/14 | CHK'D BY: DNGUYEN62 DATE: 2017/08/15 | APPR BY: JFMURPHY DATE: 2017/08/18 | DIMENSION UNITS: mm SCALE: 1.5:1 |
| | RELEASE | EC NO: 120665 DRWN: WLEUNG CHKD: DNGUYEN62 APPR: JFMURPHY | GENERAL TOLERANCES (UNLESS SPECIFIED) ANGULAR TOL ± ° | DIMENSION UNITS: mm SCALE: 1.5:1 |

| | | | |
|---|-----------------|----------|--------------|
| molex | | | |
| MX-KE162 UCLP 1PL GRY/GRY 230A/1000V | | | |
| PRODUCT CUSTOMER DRAWING | | | |
| SERIES | MATERIAL NUMBER | CUSTOMER | |
| 201606 | SEE CHART | | |
| DOCUMENT NUMBER | DOC TYPE | DOC PART | SHEET NUMBER |
| 2016061620 | PSD | 000 | 1 OF 1 |