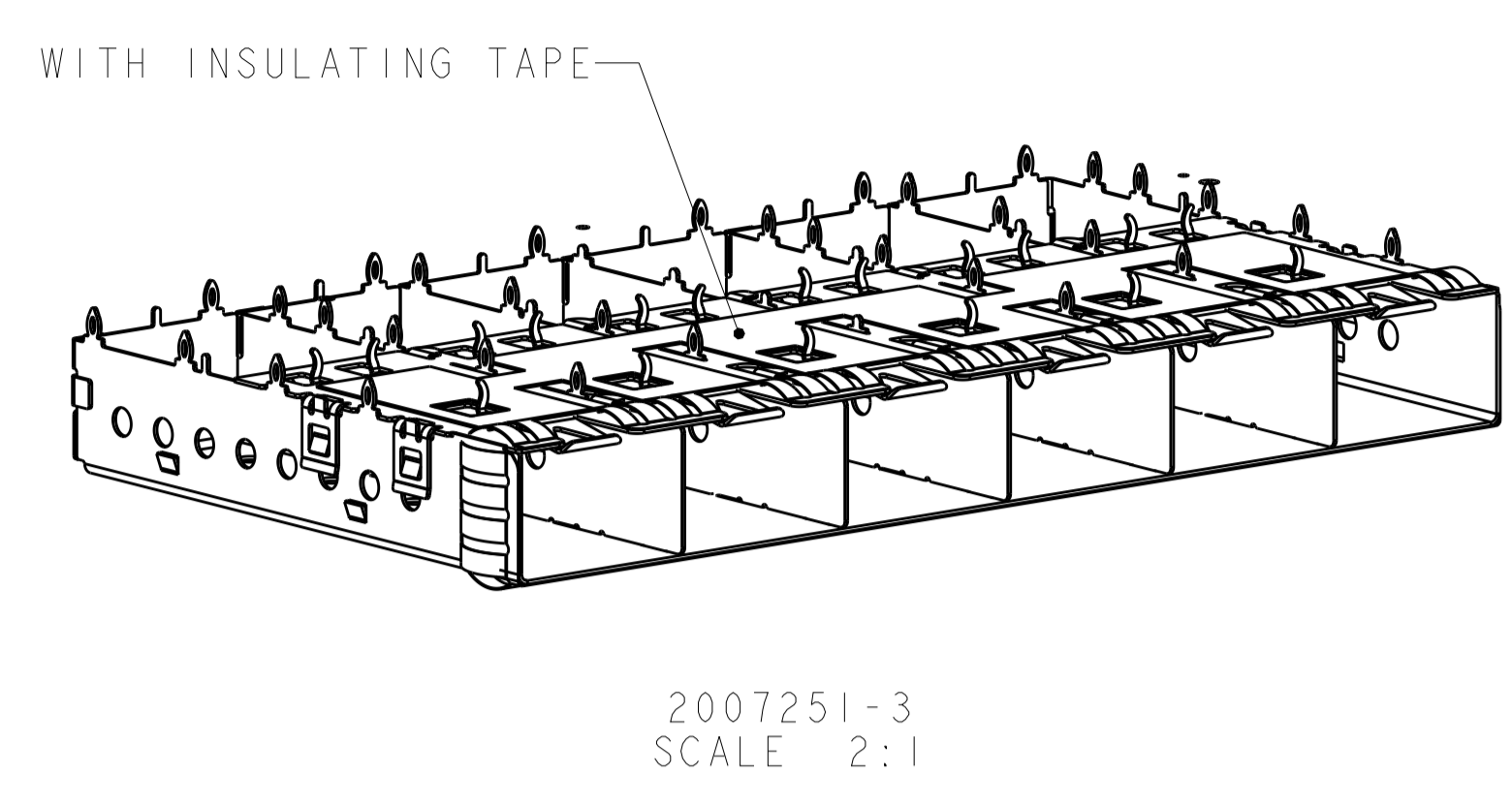
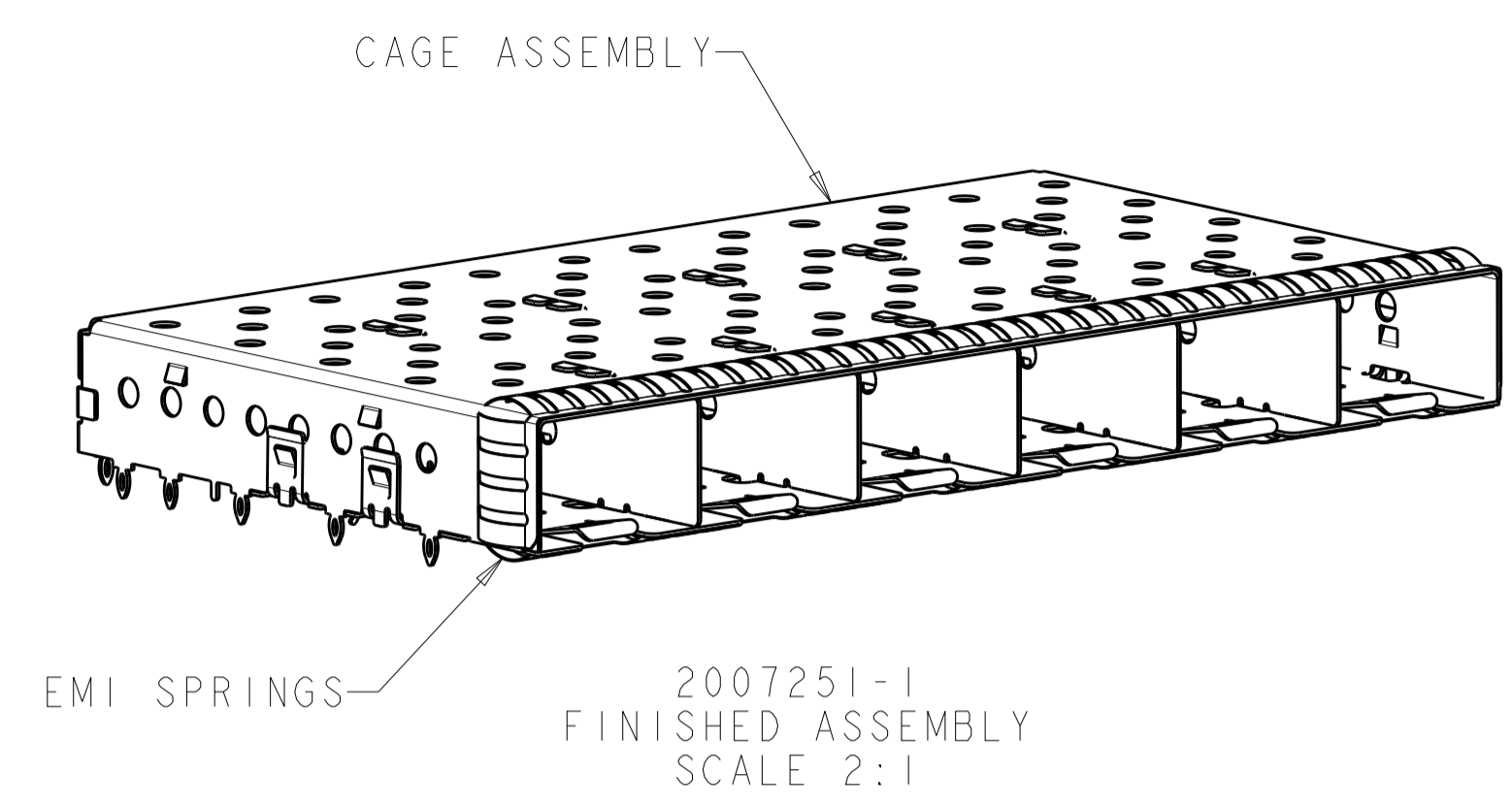
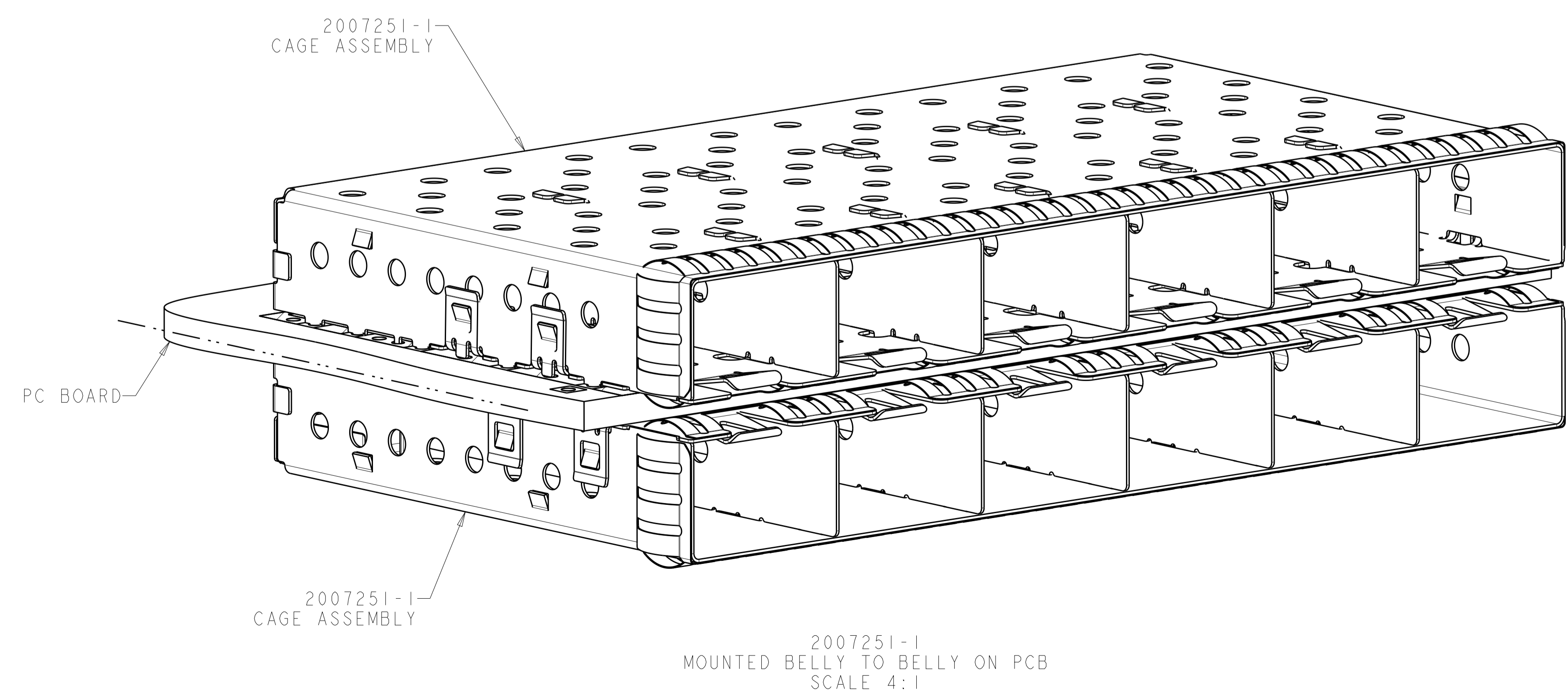
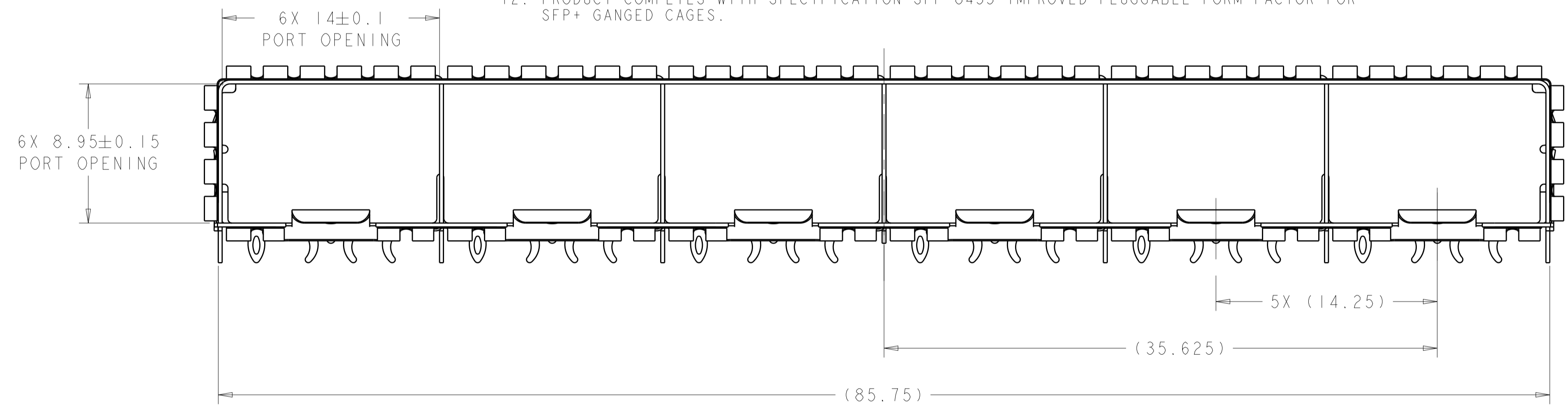
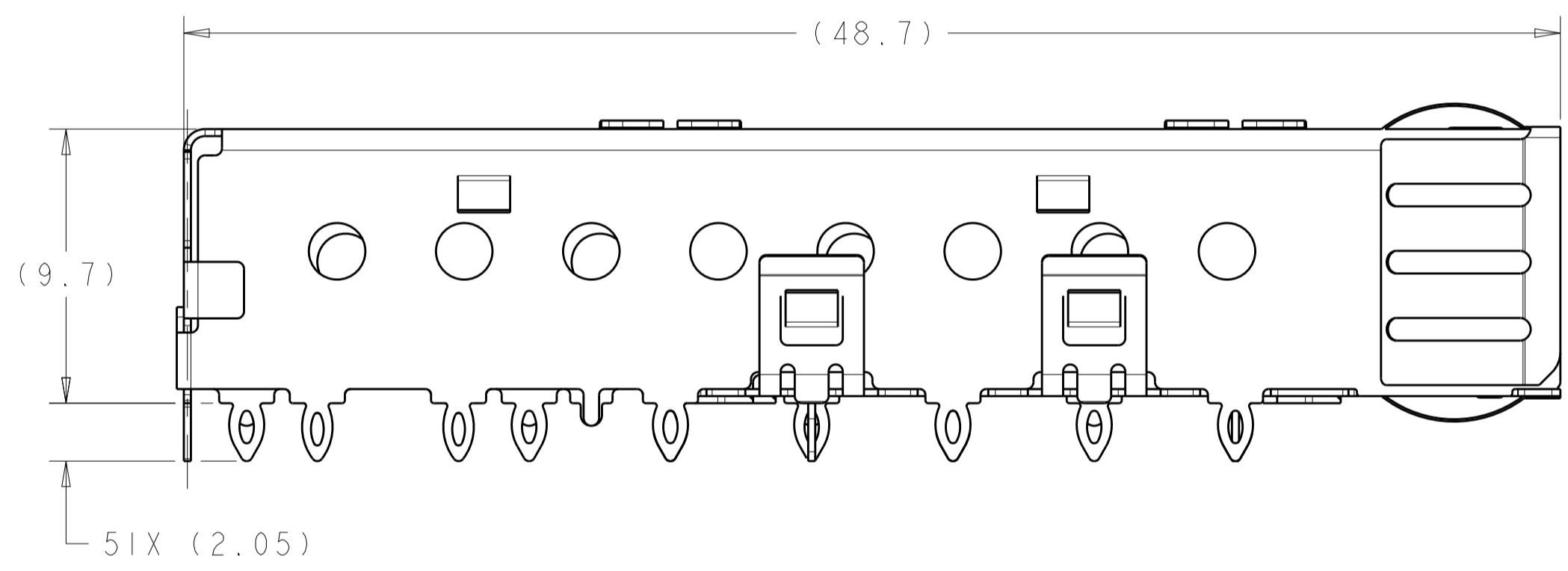


LOC	DIST	REVISIONS			
P	LTN	DESCRIPTION	DATE	DMN	APVD
B		REVISED PER ECO-09-022874	20OCT2009	CR	MS
C		RELEASED PER ECO-11-019224	09JAN2012	TX	AC
D		REVISED PER ECO-12-014021	29SEP2012	TD	AC
G		REVISED PER ECO-20-003328	04MAR2020	ES	SH



1. MATERIAL: CAGE ASSEMBLY: 0.25mm THICK NICKEL SILVER ALLOY.
EMI SPRINGS: COPPER ALLOY.
2. FINISH:
SPRINGS: MINIMUM OF 0.8um TIN PLATE OVER A MINIMUM OF 0.8um NICKEL UNDERPLATE.
NON-PLATED EDGES PERMISSIBLE.
3. MATES WITH SFP MSA COMPLIANT TRANSCEIVERS.
4. PADS AND VIAS CHASSIS GROUND.
5. INTERPRETATION OF DATUM REFERENCE FRAME IN ACCORDANCE WITH SECT 4.4.1.1 OF ASME Y14.5M-1994.
6. MINIMUM PCB BOARD THICKNESS:
SINGLE SIDED = 1.50
DOUBLE SIDED = 2.25
7. HOLE PATTERN REPEATS FOR EACH PORT. SPACING BETWEEN PORTS IS 14.25mm.
8. DATUM AND BASIC DIMENSION ESTABLISHED BY CUSTOMER.
9. REFERENCE APPLICATION SPEC. 114-13120, HOLE A, FOR RECOMMENDED DRILL HOLE DIAMETER AND PLATING THICKNESS.
10. REFERENCE APPLICATION SPEC. 114-13120, HOLE B, FOR RECOMMENDED DRILL HOLE DIAMETER AND PLATING THICKNESS.
11. CERTAIN MATING TRANSCEIVERS MAY REQUIRE ADDITIONAL PCB THICKNESS THAT WOULD BE DETERMINED BY THE CUSTOMER.
12. PRODUCT COMPLIES WITH SPECIFICATION SFF-8433 IMPROVED PLUGGABLE FORM FACTOR FOR SFP+ GANGED CAGES.

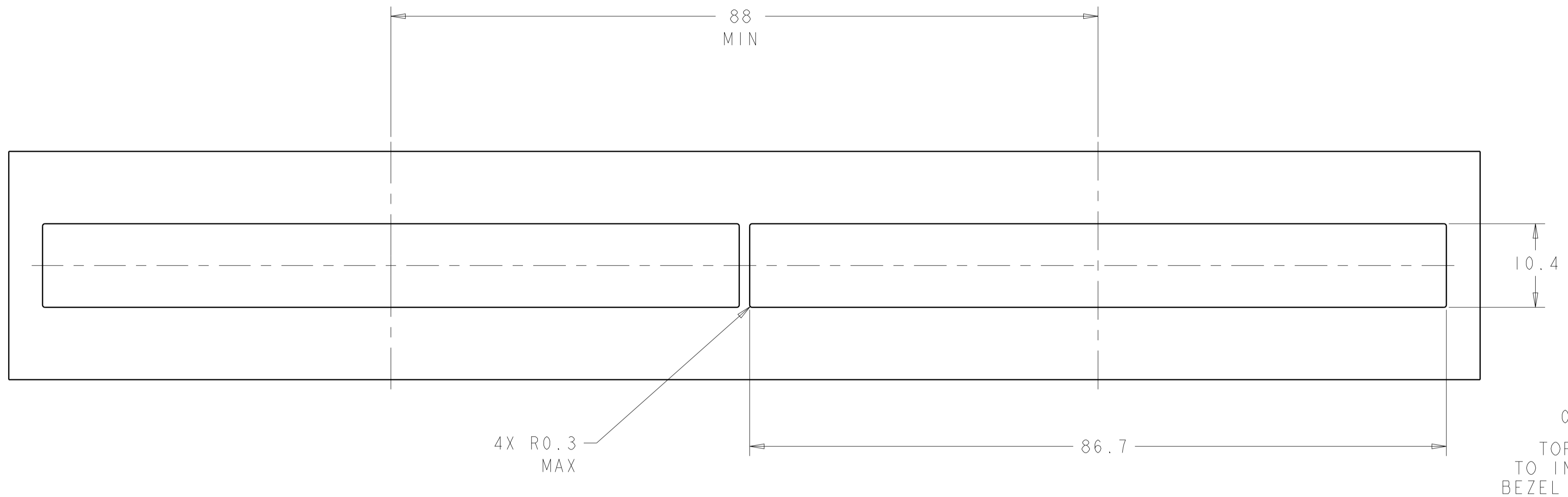


2007251-3
2007251-1
PART NUMBER

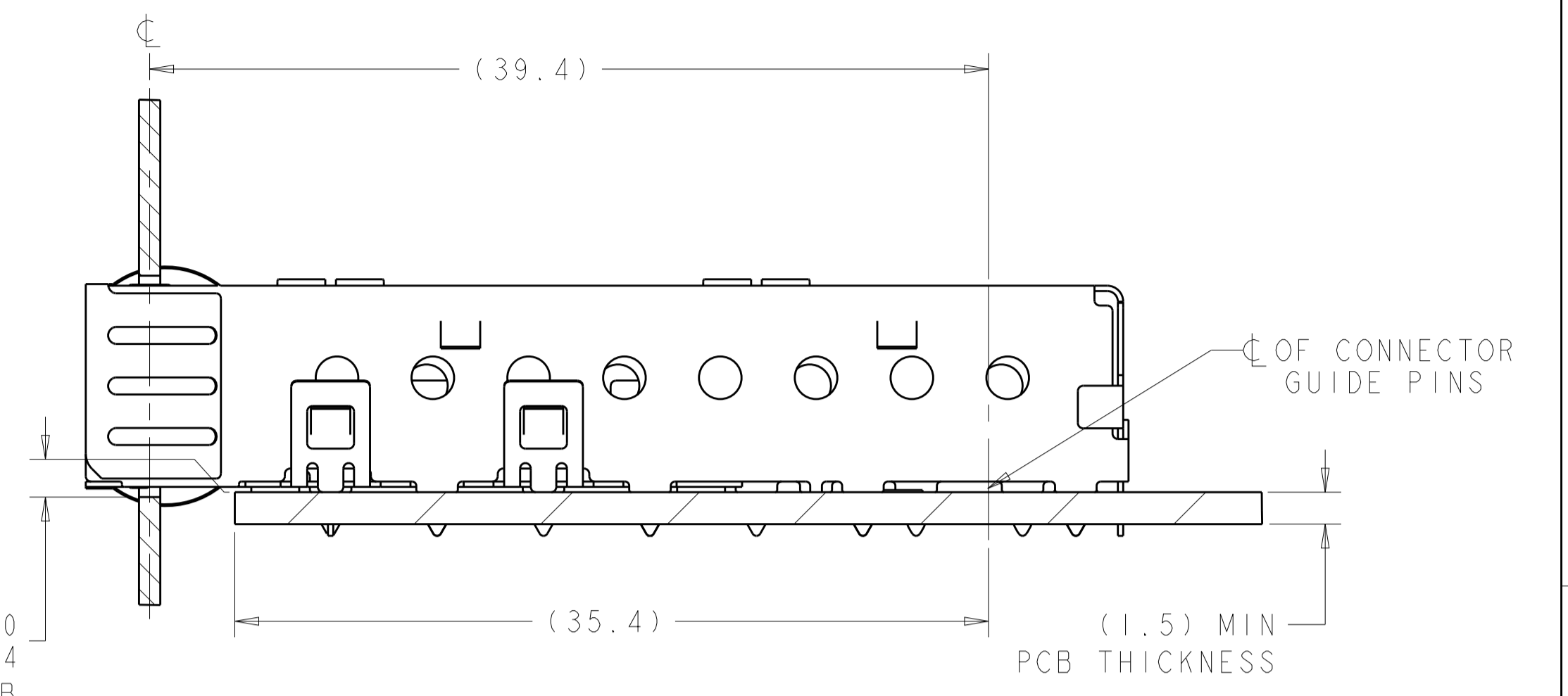
THIS DRAWING IS A CONTROLLED DOCUMENT.		DMN Z. M. BEAM 17JUL2007	STE TE Connectivity	
DIMENSIONS: mm		CHK M. R. SCHMITT 17JUL2007	NAME SFP+ 1X6 PRINTED CIRCUIT BOARD BELLY TO BELLY APPLICATIONS	
TOLERANCES UNLESS OTHERWISE SPECIFIED:		APVD R. H. WERTZ 17JUL2007	PRODUCT SPEC 108-2364	
0 PLC ±0.1		APPLICATION SPEC 114-13120		
1 PLC ±0.1		SIZE A100779C=2007251		
2 PLC ±0.1		RESTRICTED TO		
3 PLC ±0.1		Customer Drawing		
4 PLC ±0.1		SCALE 5:1 SHEET 1 OF 6 REV G		
ANGLES ±0.1				
FINISH ±1°				

LOC	DIST	REV	DATE	BY	APPD
GP	00				

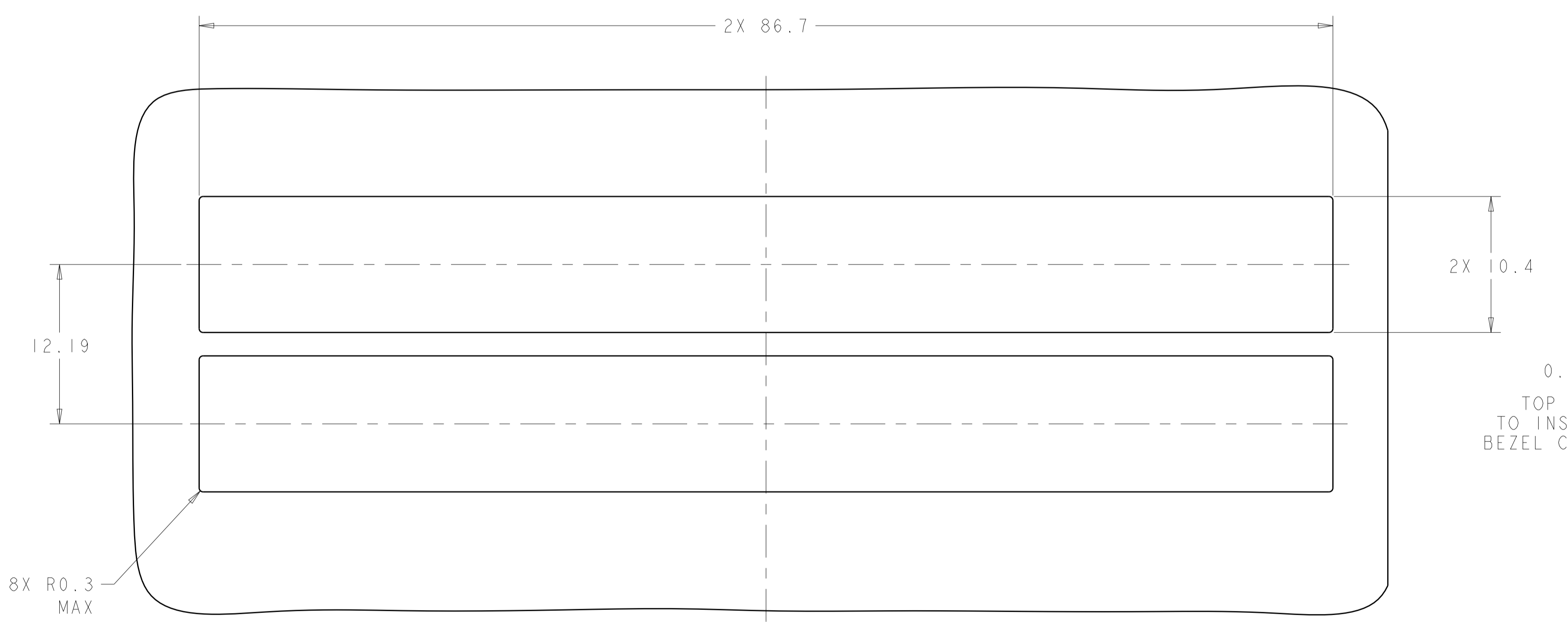
REVISIONS		DATE	BY	APPD
-	SEE SHEET 1	-	-	-



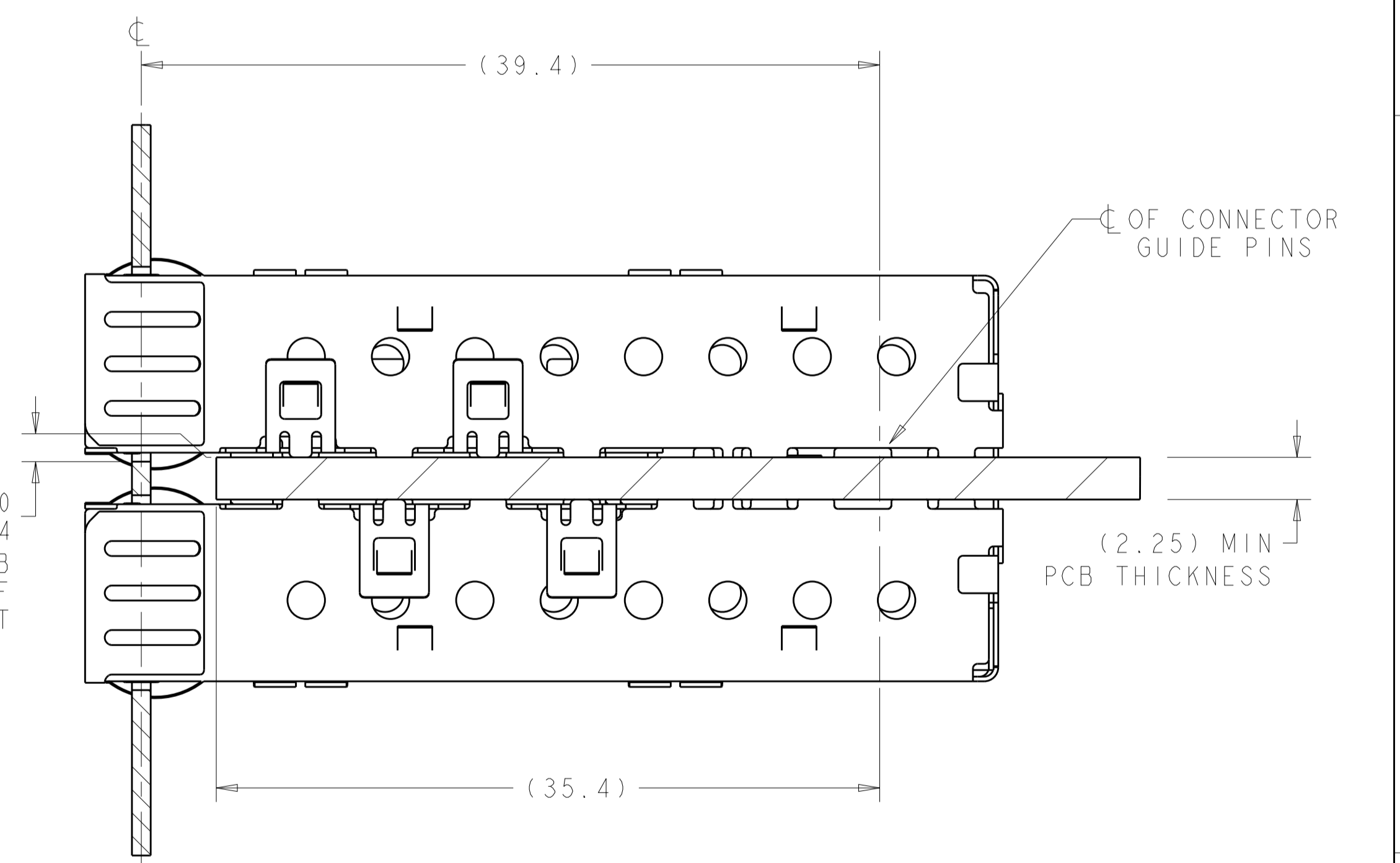
RECOMMENDED BEZEL CUT-OUT
 SINGLE SIDED APPLICATIONS
 SCALE 5:2



2007251-1
 MOUNTED ON PC BOARD
 SHOWN THRU RECOMMENDED BEZEL
 SCALE 4:1



RECOMMENDED BEZEL CUT-OUT
 BELLY TO BELLY APPLICATIONS
 SCALE 4:1

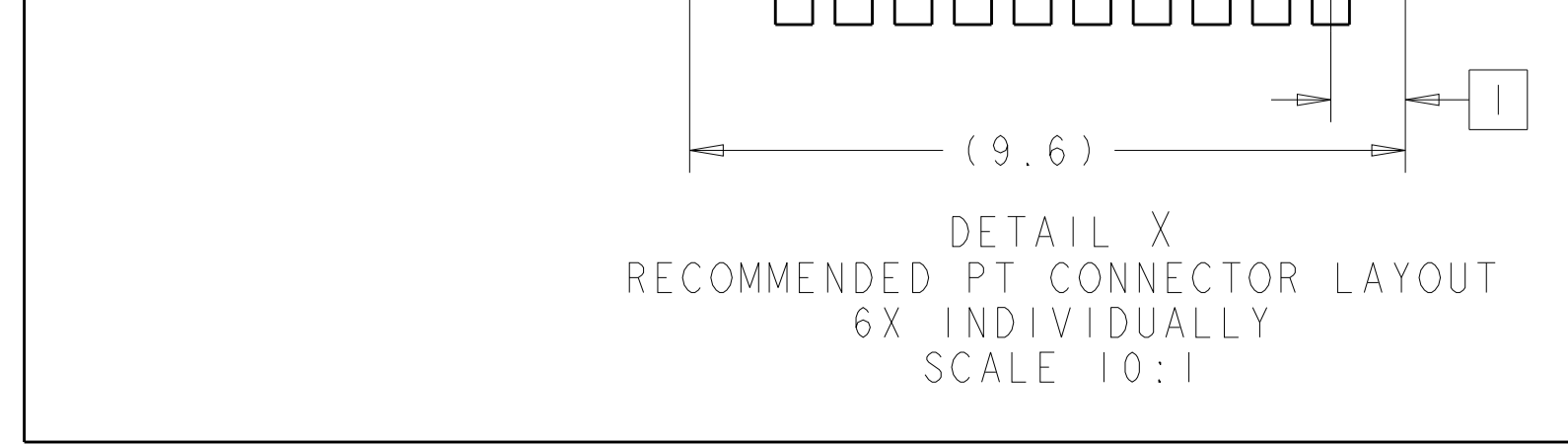
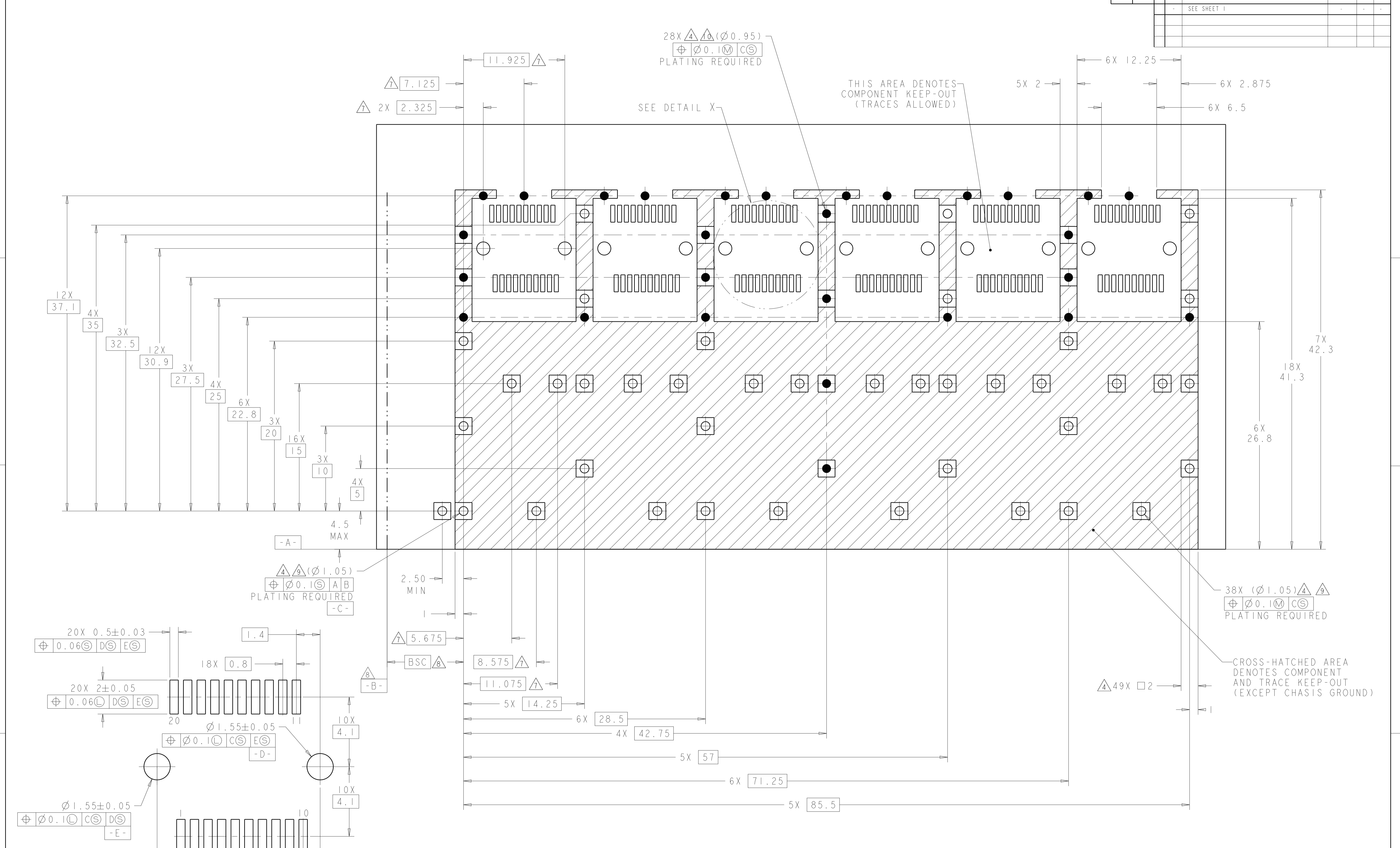


2007251-1
 MOUNTED BELLY TO BELLY ON PC BOARD
 SHOWN THRU RECOMMENDED BEZEL
 SCALE 4:1

THIS DRAWING IS A CONTROLLED DOCUMENT.		OWN Z. M. BEAM 17 JUL 2007	TE Connectivity
DIMENSIONS: mm		CHK M. R. SCHMITT 17 JUL 2007	
TOLERANCES UNLESS OTHERWISE SPECIFIED:		APVD P. H. WERTZ 17 JUL 2007	NAME SFP+ 1X6 PRINTED CIRCUIT BOARD BELLY TO BELLY APPLICATIONS
0 PLC ±0.1 1 PLC ±0.1 2 PLC ±0.1 3 PLC ±0.1 4 PLC ±0.1 ANGLES ±1°		PRODUCT SPEC 108-2364	SIZE 114-13120
MATERIAL		WEIGHT	RESTRICTED TO
FINISH		Customer Drawing	SCALE 5:1 SHEET 2 OF 6 REV G

LOC	DIST	REV	DATE	APPD
GP	00			

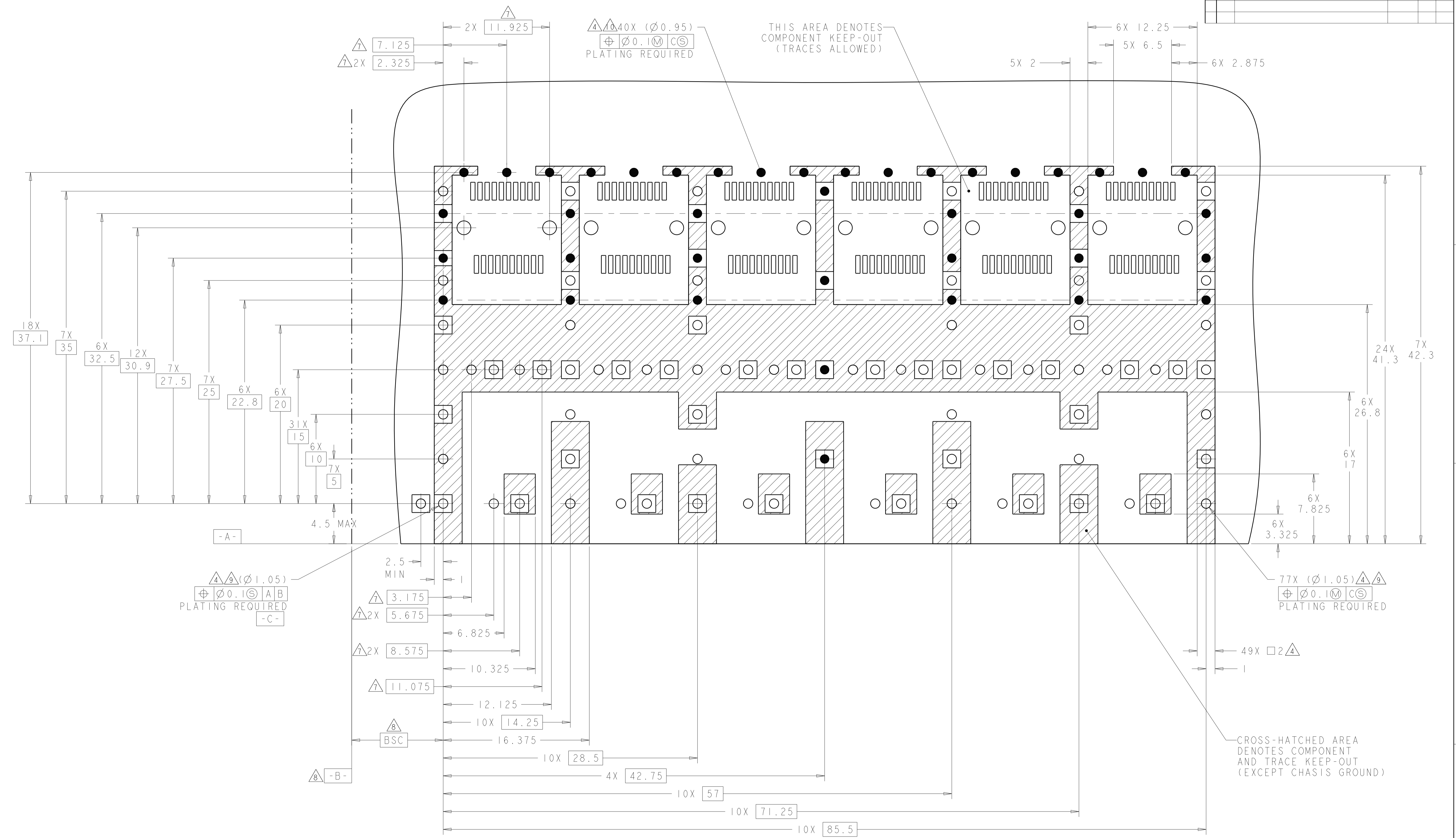
REVISIONS				
NO.	DESCRIPTION	DATE	BY	APPD
-	SEE SHEET 1	-	-	-



2007251-1
 RECOMMENDED PCB CONFIGURATION
 WITH KEEP-OUT AREAS
 SINGLE SIDED APPLICATIONS

THIS DRAWING IS A CONTROLLED DOCUMENT.		OWN: Z.M.BEAM 17JUL2007	TE Connectivity
DIMENSIONS: mm		CHK: M.B.SCHMITT 17JUL2007	
TOLERANCES UNLESS OTHERWISE SPECIFIED:		APPD: B.H.WERTZ 17JUL2007	NAME: SFP+ 1X6 PRINTED CIRCUIT BOARD BELLY TO BELLY APPLICATIONS
0 PLC ±0.1	1 PLC ±0.1	PRODUCT SPEC: 108-2364	SIZE: CAGE CODE DRAWING NO: A100779C=2007251
2 PLC ±0.1	3 PLC ±0.1	APPLICATION SPEC: 114-13120	RESTRICTED TO: -
4 PLC ±0.1	ANGLES ±0.1	WEIGHT: -	SCALE: 5:1 SHEET 3 OF 6 REV G
MATERIAL: -	FINISH: -	Customer Drawing	

LOC	DIST	REVISIONS			
P	LTN	DESCRIPTION	DATE	DMN	APVD
-	-	SEE SHEET 1	-	-	-



2007251-3
 RECOMMENDED PCB CONFIGURATION WITH KEEP-OUT AREAS
 BELLY TO BELLY APPLICATIONS, UNMARKED DIMENSIONS SAME AS 2007251-1
 SCALE 5:1

THIS DRAWING IS A CONTROLLED DOCUMENT.		DMN Z. M. BEAM 17 JUL 2007	TE Connectivity												
DIMENSIONS: mm		CHK M. R. SCHMITT 17 JUL 2007													
TOLERANCES UNLESS OTHERWISE SPECIFIED:		APVD B. H. WERTZ 17 JUL 2007	NAME SFP+ 1X6 PRINTED CIRCUIT BOARD BELLY TO BELLY APPLICATIONS												
<table border="1"> <tr><td>0 PLC</td><td>±0.1</td></tr> <tr><td>1 PLC</td><td>±0.1</td></tr> <tr><td>2 PLC</td><td>±0.1</td></tr> <tr><td>3 PLC</td><td>±0.1</td></tr> <tr><td>4 PLC</td><td>±0.1</td></tr> <tr><td>ANGLES</td><td>±1°</td></tr> </table>		0 PLC	±0.1	1 PLC	±0.1	2 PLC	±0.1	3 PLC	±0.1	4 PLC	±0.1	ANGLES	±1°	PRODUCT SPEC 108-2364	SIZE 114-13120
0 PLC	±0.1														
1 PLC	±0.1														
2 PLC	±0.1														
3 PLC	±0.1														
4 PLC	±0.1														
ANGLES	±1°														
MATERIAL		WEIGHT	RESTRICTED TO												
FINISH		Customer Drawing	SCALE 5:1 SHEET 6 OF 6 REV G												