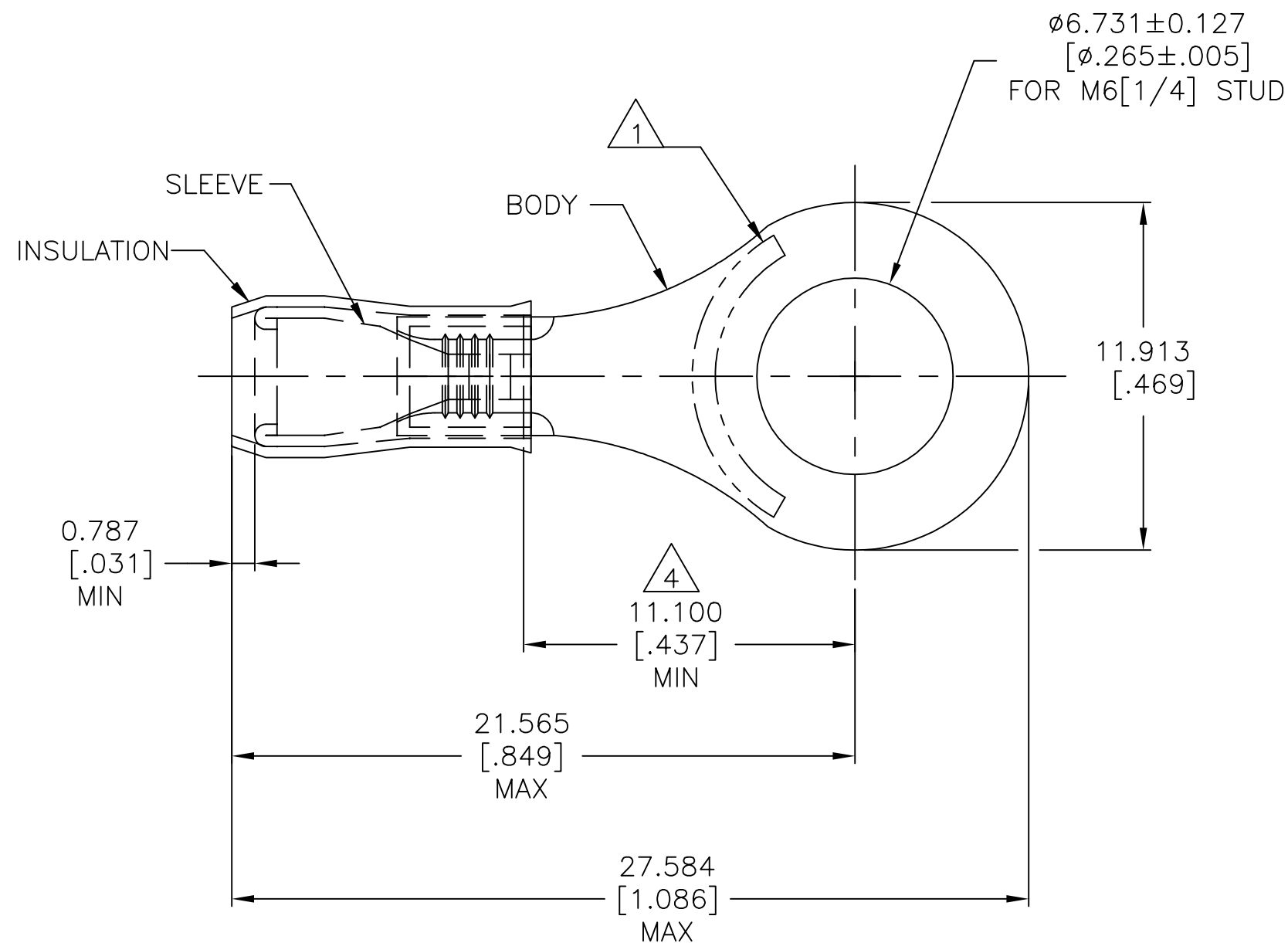


P	LTR	DESCRIPTION	DATE	DWN	APVD
	G1	REVISED PER ECO-11-025626	23DEC11	KH	DR
	H	REVISED PER ECO-17-013200	07MAY2018	RS	DR

AMP
WIRE RANGE

14-12 AWG
SOLID OR STRANDED



- 1 STAMP AMP 14-12, LOCATION AS SHOWN
- 2 WIRE INSULATION DIA RANGE IS $\phi 2.032 - \phi 3.175 [\phi .080 - \phi .125]$
- 3 BODY MATERIAL THK IS $0.762 \pm 0.051 [.030 \pm .002]$
- 4 APPLIES FROM CENTER OF STUD HOLE TO EDGE OF METAL WIRE BARREL
- 5 MATERIAL:
BODY & SLEEVE - COPPER PER ASTM B-152
INSULATION: NYLON
- 6 FINISH:
BODY & SLEEVE - TIN PLATE PER ASTM B-545
INSULATION: COLOR - WHITE
- 7 MAX RECOMMENDED OPERATING TEMP $105^{\circ}\text{C} [221^{\circ}\text{F}]$
- 8 VOLTAGE RATING: 300 V MAX
- 9 WIRE CROSS SECTIONAL AREA RANGE:
 $1.65 - 3.45 \text{mm}^2 [3,260 - 6,800] \text{ CMA}$

1000	LOOSE PIECE	152871
QTY	PACKAGING TYPE	PART NO

THIS DRAWING IS A CONTROLLED DOCUMENT.		DWN jr_ruth 23AUG07	TE Connectivity Ltd.	
DIMENSIONS: mm [INCHES]		CHK T MICHELUTTI 23AUG07		
TOLERANCES UNLESS OTHERWISE SPECIFIED:		APVD T MICHELUTTI 23AUG07		
0 PLC ± - 1 PLC ± - 2 PLC ± - 3 PLC ± 0.127[.005] 4 PLC ± - ANGLES ± 5°		NAME		
MATERIAL		PRODUCT SPEC	RING TONGUE, PIDG, WIRE SIZE: 14-12 AWG	
FINISH		APPLICATION SPEC	SIZE	RESTRICTED TO
5 6		114-2157	CAGE CODE	DRAWING NO
		WEIGHT	A3 00779	C=152871
		CUSTOMER DRAWING	SCALE	SHEET
			5:1	1 OF 1
				REV H