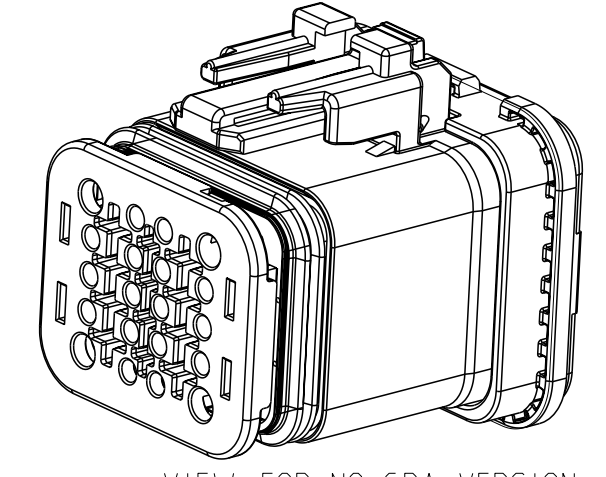
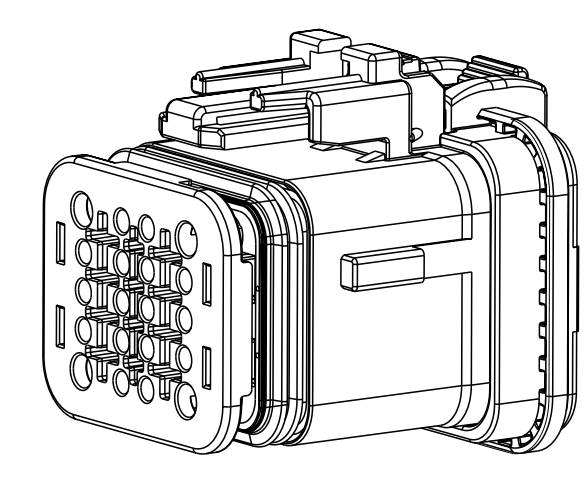
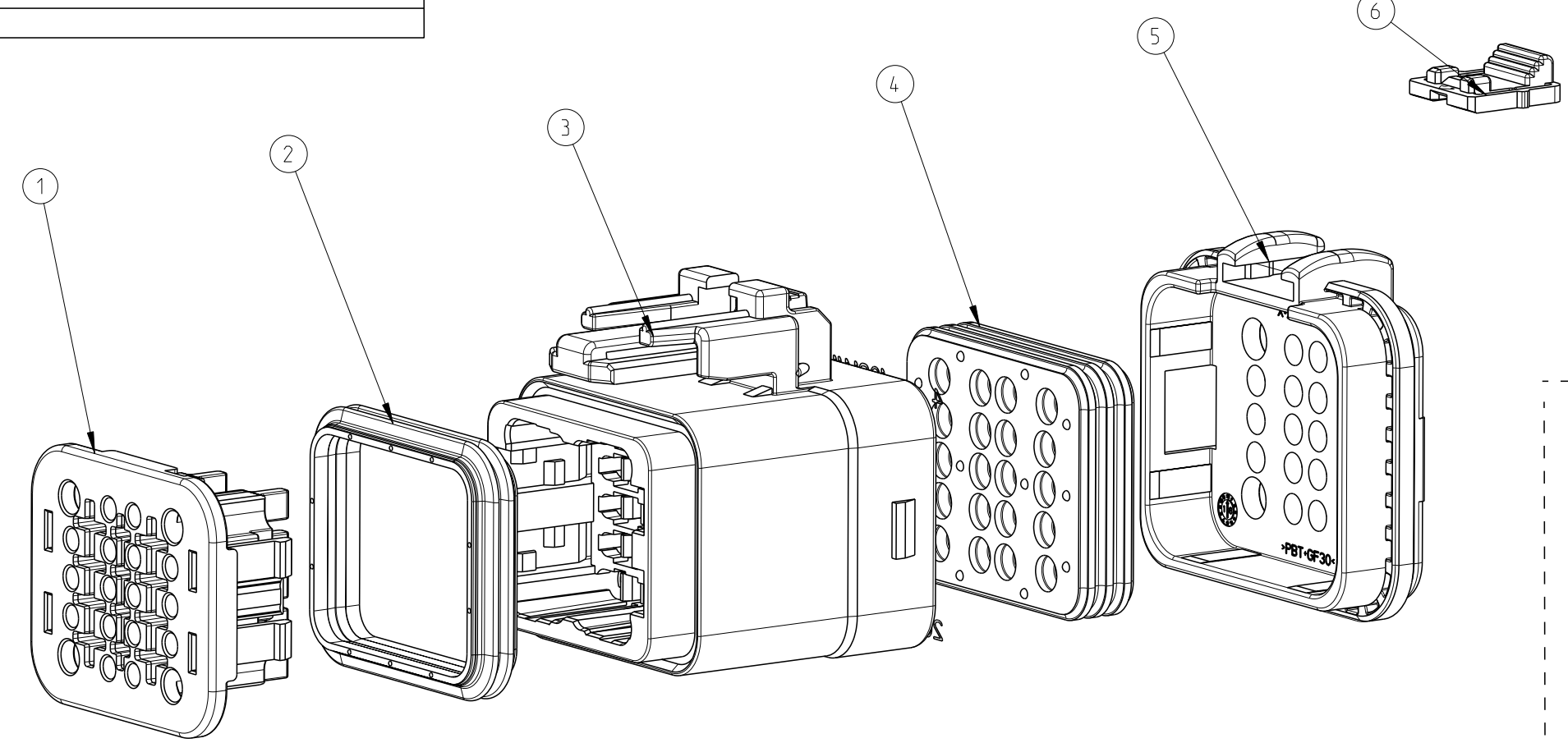
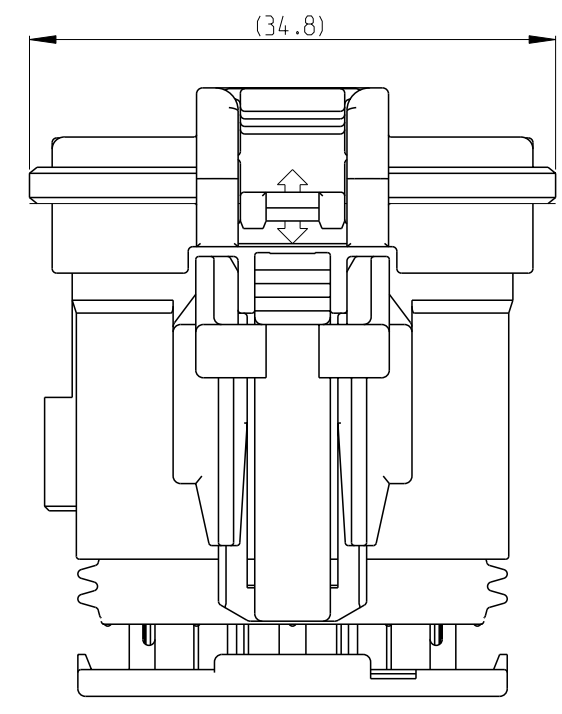


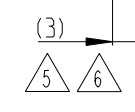
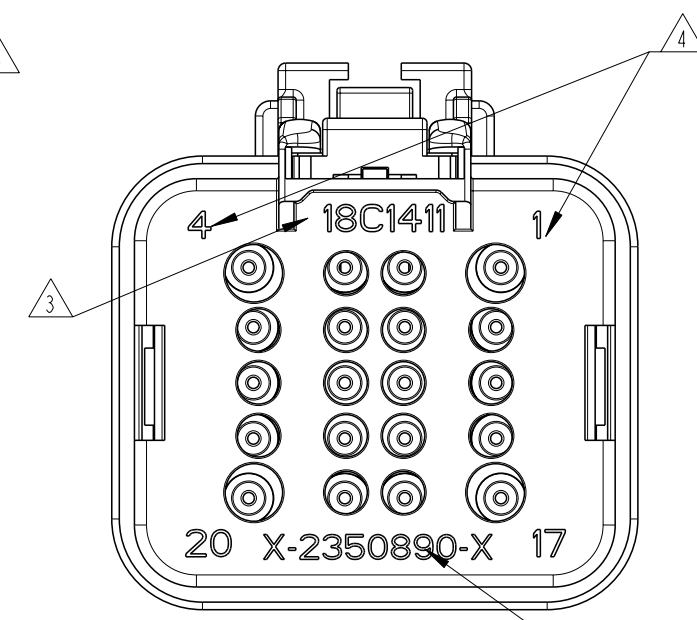
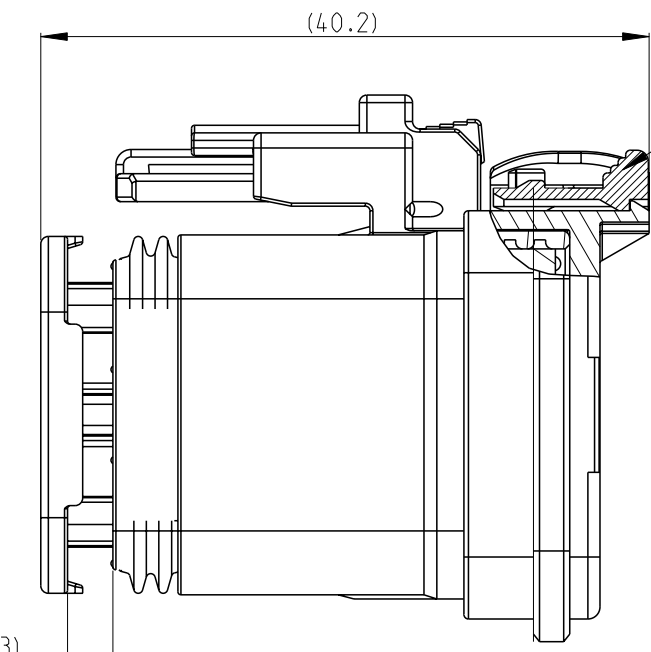
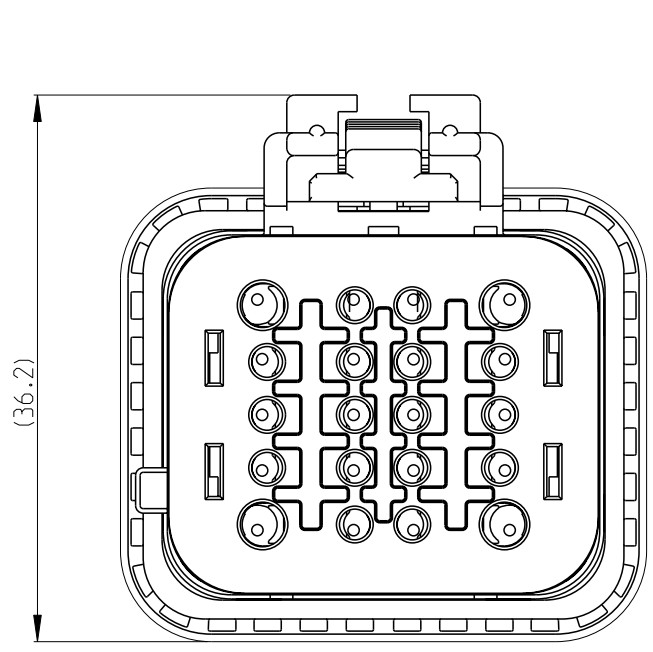
THIS DRAWING IS UNPUBLISHED. RELEASED FOR PUBLICATION
COPYRIGHT copyright_date BY - ALL RIGHTS RESERVED.

REVISIONS					
P	LTR	DESCRIPTION	DATE	DWN	APVD
A		INITIAL RELEASE	28MAR2019	C.W	I.Y
A1		ECR-20-000774	21JAN2019	C.W	E.J
A2		ECR-20-000774	26FEB2020	C.W	E.J
A3		SEE ECR-21-003354	19MAR2021	L.G	I.Y



VIEW FOR CPA VERSION
 PN: 2350890-1
 2350890-2
 2350890-3
 2350890-4

VIEW FOR NO CPA VERSION
 PN: 1-2350890-1
 1-2350890-2
 1-2350890-3
 1-2350890-4



SECTION A-A

NOTES:

- THIS PLUG MATES WITH TAB HOUSING ASSEMBLY PN 2350891-X, 1-2350891-X OR 2-2350891-X (X=1, 2, 3, 4 FOR VARIOUS CODE).
- MATERIAL: HOUSING: PBT GF30, SEE PN TABLE FOR COLOR
 TPA: PBT GF30, YELLOW
 FRONT SEAL: VMQ(ORANGE)
 GROMMET: VMQ(RED)
 REAR CAP: PBT GF30, BLACK
- DATE CODE: IDENTIFIES THE YEAR, MONTH, DAY AND HOUR OF ASSEMBLY.
 YEAR: FIRST AND SECOND DIGITS(17=2017)
 MONTH: THIRD DIGIT , EXCLUDING 1 , A=JAN, B=FEB, C=MARCH...(K=OCTOBER)
 DAY: FOURTH AND FIFTH DIGITS(14=14th DAY)
 HOUR: SIXTH AND SEVENTH DIGITS(11=11AM)
- IDENTIFICATION FOR CABLE PINOUT.
- TPA AND CPA SEATED ON PRE-LOCK POSITION FOR DELIVERY.
- PULL TPA TO PRE-LOCK BEFORE TERMINAL INSERTION IN CASE OF TPA BEING HIT TO END-LOCK POSITION.
- PART NO.
- REFER TO 114-151001 FOR DT SIZE 16 TERMINAL APPLICATION SPECIFICATION.
 REFER TO 114-151003 FOR DT SIZE 20 TERMINAL APPLICATION SPECIFICATION.
 APPLICABLE TERMINAL PART NUMBERS AND WIRE SIZE:

TERMINAL PN	WIRE SIZE (MM2)	INSULATION W IRES(MM)	PINOUT NUMBER
16#	0.5~2.5	Ø1.40~Ø3.00	1, 4, 17, 20
20#	0.5~1.5	Ø1.40~Ø2.40	OTHER PINS

CODING A PN:2350890-1 1-2350890-1				CODING B PN:2350890-2 1-2350890-2				CODING C PN:2350890-3 1-2350890-3				CODING D PN:2350890-4 1-2350890-4			
-	-	-	-	1	1	1	1	RED	PBT-GF15	CPA	6	-	-	-	-
1	-	-	-	1	-	-	-	BLUE	PBT-GF30	REAR CAP	5	-	-	-	-
-	1	-	-	-	1	-	-	GREEN							
-	-	1	-	-	-	1	-	GRAY							
-	-	-	1	-	-	-	1	BLACK	VMQ	GROMMET	4	1	1	1	1
1	-	-	-	1	-	-	-	BLUE	PBT-GF30	HOUSING.CODE D	3	1	-	-	-
-	1	-	-	-	1	-	-	GREEN	PBT-GF30	HOUSING.CODE C					
-	-	1	-	-	-	1	-	GREY	PBT-GF30	HOUSING.CODE B					
-	-	-	1	-	-	-	1	BLACK	PBT-GF30	HOUSING.CODE A	2	1	1	1	1
1	1	1	1	1	1	1	1	RED	VMQ	RADIAL SEAL	2	1	1	1	1
1	1	1	1	1	1	1	1	YELLOW	PBT-GF30	TPA	1	1	1	1	1
QTY. REQUEST PER ASSY										COLOR	MATERIAL	DESCRIPTION	ITEM NO		
25.5	25.5	25.5	25.5	25.9	25.9	25.9	25.9	WEIGHT OF EACH ASSY(g)							
A	A	A	A	A	A	A	A	REVISION OF EACH ASSY NO.							
1--4	1--3	1--2	1--1	--4	--3	--2	--1	TE ASSEMBLY PN							
THIS DRAWING IS A CONTROLLED DOCUMENT.										DWN C.WAN 01MAR2019		APVD I.YIN 28MAR2019			
DIMENSIONS: mm										CHK E.JIANG 28MAR2019		NAME PLUG ASSEMBLY NTS 20Pos CONNECTOR DEUTSCH TERMINAL HYBRID CONNECTOR			
TOLERANCES UNLESS OTHERWISE SPECIFIED:										APVD I.YIN 28MAR2019		SIZE A2			
0 PLC ± 1 PLC ±0.2 2 PLC ±0.25 3 PLC ± 4 PLC ± ANGLES ± FINISH										PRODUCT SPEC 108-101662		DRAWING NO C-2350890			
MATERIAL										WEIGHT		RESTRICTED TO			
-										-		-			
CUSTOMER DRAWING										SCALE 1:1		SHEET 1 OF 1			
										REV A3					

printed on 19 Mar 2021 10:47 (China Standard Time) from TE426590