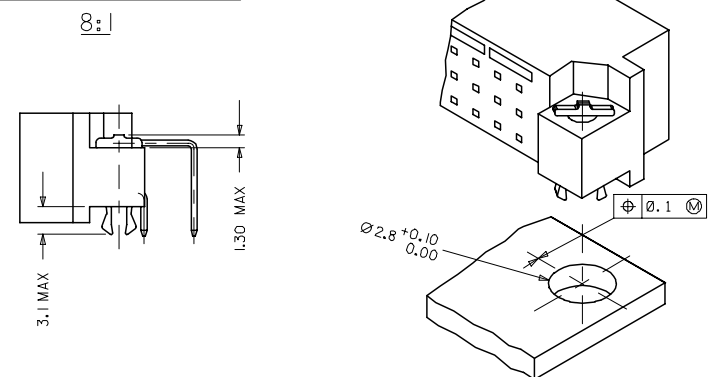
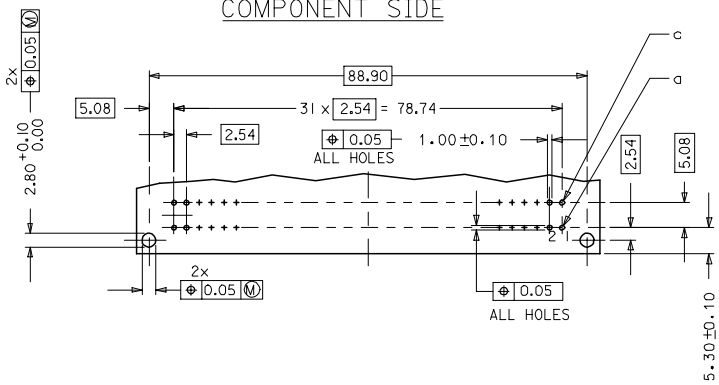


WITH MOUNTING CLIPS



- NOTES:
- MATERIALS: THERMOPLASTIC POLYESTER, GLASS FILLED, UL94V-0, COLOUR: PEBBLE GREY RAL 7032  
TERMINAL - BRASS  
MOUNTING CLIP: STEEL
  - FINISH: TERMINAL:-  
CONTACT AREA
    - PERFORMANCE LEVEL 1: SELECTIVE GOLD (Au), THICKNESS = 1.1 MICROMETER OVER NICKEL, THICKNESS = 1.25 MICROMETER
    - PERFORMANCE LEVEL 2: SELECTIVE GOLD (Au), THICKNESS = 0.6 MICROMETER OVER NICKEL, THICKNESS = 1.25 MICROMETER
    - PERFORMANCE LEVEL 3: SELECTIVE GOLD (Au), THICKNESS = 0.3 MICROMETER OVER NICKEL, THICKNESS = 1.25 MICROMETER
 TERMINATION AREA:  
SELECTIVE TIN, THICKNESS = 2.5 MICROMETER  
OVER NICKEL, THICKNESS = 1.25 MICROMETER OVERALL
  - MOUNTING CLIP:-  
TIN (Sn), THICKNESS = 5-10 MICROMETER,  
OVER NICKEL (Ni), THICKNESS = 2.5 MICROMETER
  - FOR NON MOUNTING CLIP OPTION, CONNECTOR TO BE SECURED WITH  
RIVETS: 2 TUBULAR RIVETS 2.5 x 0.3 ... DIN 7340  
SCREWS: 2 CHEESEHEAD SCREWS M2.5 x ... DIN 84 AND 2 HEXAGONAL NUTS M2.5 DIN 934
  - MATERIAL NUMBER, BATCH CODE, UL AND CSA MARKING TO BE PRINTED ON THE CONNECTOR
  - CUT FACE OF TIP WITHOUT PLATING PERMITTED
  - PRODUCT SPECIFICATION : PS-36502-001

RECOMMENDED PCB LAYOUT  
COMPONENT SIDE



RoHS COMPLIANT

<b>ENTER DESCRIPTION</b> ELC INC. 12007-0468 DRAWING: BINARY 2007/06/23 CHECKED BY: APPROVED 2007/06/23 APPROVED BY:	<b>QUALITY SYMBOLS</b> ▽=0 ▽=0		<b>GENERAL TOLERANCES (UNLESS SPECIFIED)</b> <table border="1"> <thead> <tr> <th></th> <th>mm</th> <th>INCH</th> </tr> </thead> <tbody> <tr> <td>4 PLACES</td> <td>±</td> <td>---</td> </tr> <tr> <td>3 PLACES</td> <td>±0.05</td> <td>±---</td> </tr> <tr> <td>2 PLACES</td> <td>±0.1</td> <td>±---</td> </tr> <tr> <td>1 PLACE</td> <td>±0.15</td> <td>±---</td> </tr> </tbody> </table>			mm	INCH	4 PLACES	±	---	3 PLACES	±0.05	±---	2 PLACES	±0.1	±---	1 PLACE	±0.15	±---	<b>DIMENSION STYLE</b> MM ONLY		<b>SCALE</b> 2:1		<b>DESIGN UNITS</b> METRIC		<b>THIRD ANGLE PROJECTION</b>	
		mm	INCH																								
4 PLACES	±	---																									
3 PLACES	±0.05	±---																									
2 PLACES	±0.1	±---																									
1 PLACE	±0.15	±---																									
<b>DRAFT WHERE APPLICABLE MUST REMAIN WITHIN DIMENSIONS</b>			<b>SIZE</b> A 1		<b>MATERIAL NO.</b> SEE CHART		<b>DOCUMENT NO.</b> SD-36718-091		<b>SHEET NO.</b> 1 OF 2																		

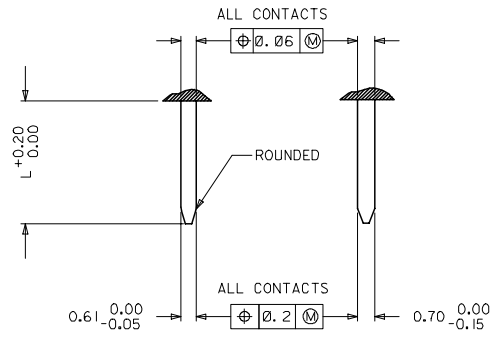
ASSEMBLY, DIN 41612  
C MALE, 64 POS  
A+C LOADED

MOLEX INCORPORATED

THIS DRAWING CONTAINS INFORMATION THAT IS PROPRIETARY TO MOLEX INCORPORATED AND SHOULD NOT BE USED WITHOUT WRITTEN PERMISSION

20	19	18	17	16	15	14	13	12	11	10	9	8	7	6	5	4	3	2	1
MATERIAL No	MOLEX ENG No	C-DOT PART NO.	PERF LEVEL	PLATING	CONTACT SEQUENCE/ROW	PREMATING CONTACT POS.	MOUNTING CLIP												
367180091	MM-B1500-C963-263	MCC-SUMRST64-003	2	Au+Ni	1,2,3....32 a+c	NO	NO												

DETAILY      DETAILX



PRE MATING CONTACTS	5.4
NORMAL CONTACTS	4.8
	L

RoHS COMPLIANT

<b>ENTER DESCRIPTION</b> ELC.MC1.12007.0468 DRAWING: BINARY 2007/06/23 CHK:KPRASAD 2007/06/23 APPR:KPRASAD 2007/06/23	<b>QUALITY SYMBOLS</b> 	<b>GENERAL TOLERANCES (UNLESS SPECIFIED)</b>		<b>DIMENSION STYLE</b> MM ONLY	<b>SCALE</b> 2:1	<b>DESIGN UNITS</b> METRIC	<b>THIRD ANGLE PROJECTION</b>		
		4 PLACES ± --- ± ---	INCH	<b>DRAWN BY</b> SS	<b>DATE</b> 1999/09/01	<b>TITLE</b> ASSEMBLY, DIN 41612 C MALE, 64 POS A+C LOADED			
		3 PLACES ± 0.05 ± ---		<b>CHECKED BY</b> G.J.LOWE	<b>DATE</b> 1999/09/01	<b>MOLEX INCORPORATED</b>			
		2 PLACES ± 0.1 ± ---		<b>APPROVED BY</b> G.J.LOWE	<b>DATE</b> 1999/09/01	<b>MATERIAL NO.</b> SEE CHART	<b>DOCUMENT NO.</b> SD-36718-091	<b>SHEET NO.</b> 2 OF 2	
<b>DRAFT WHERE APPLICABLE MUST REMAIN WITHIN DIMENSIONS</b>		<b>ANGULAR ± 2°</b>		<b>THIS DRAWING CONTAINS INFORMATION THAT IS PROPRIETARY TO MOLEX INCORPORATED AND SHOULD NOT BE USED WITHOUT WRITTEN PERMISSION</b>					