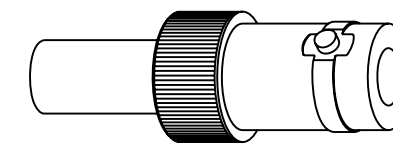


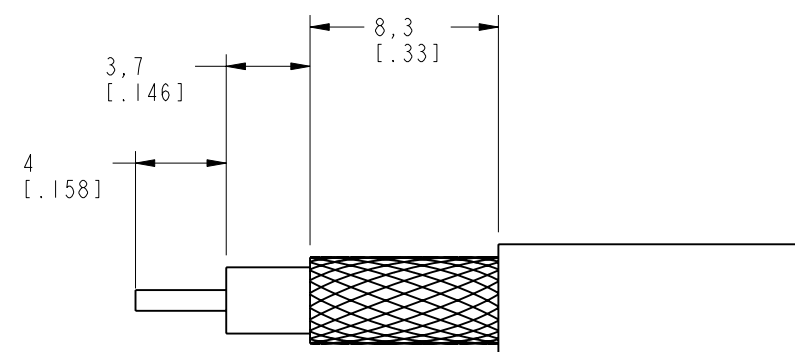
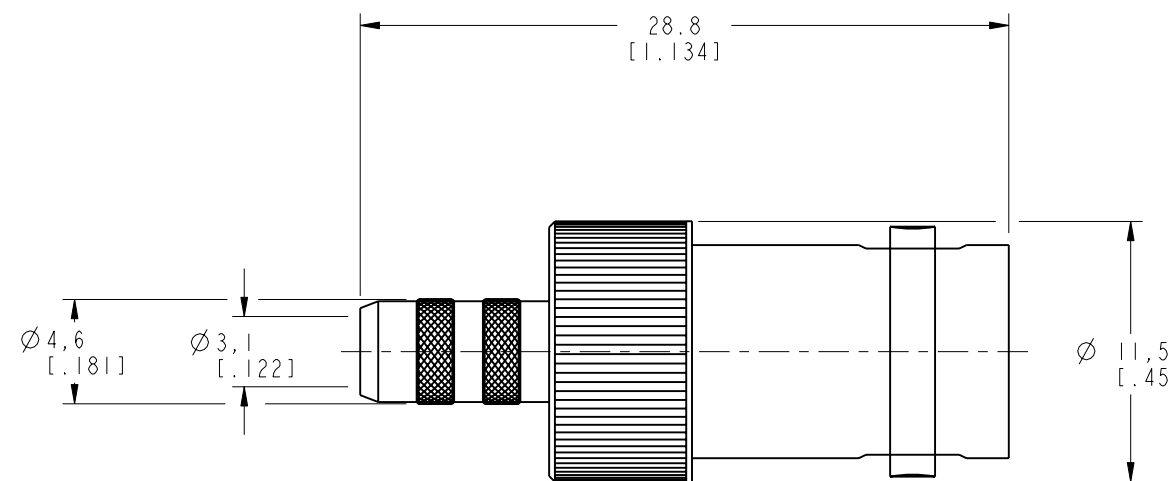
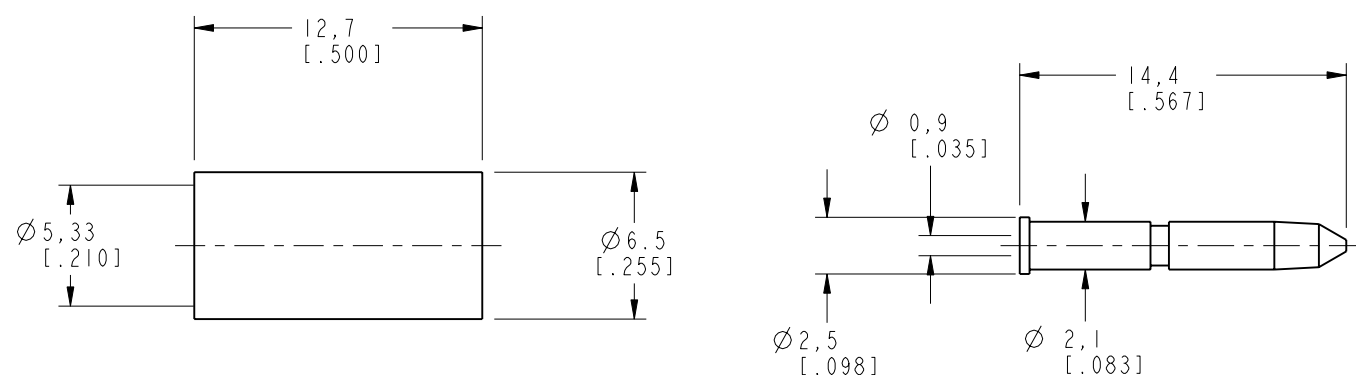
NOTES:

- MATERIALS OF CONSTRUCTION:  
 HOUSING & BODY = BRASS, NICKEL PLATED  
 CONTACT PIN = BRASS, GOLD PLATED  
 FERRULE = COPPER, NICKEL PLATED  
 INSULATOR = TEFLON PER MIL-P-19468
- CRIMPED FERRULE = HEX CRIMP SIZE .213  
 CRIMPED CONTACT PIN = HEX CRIMP SIZE .068

31-6035		REVISIONS			
DRAWING NO.	REV	DESCRIPTION	DATE	ECO	APPR
THIRD ANGLE PROJ.	A	RELEASE TO MFG.	5/15/00	43362	CPM
	B	CORRECTED VIEW OF CONTACT	3/21/01	43715	CPM
	C	CONTACT ID SHOULD BE .035	5/9/01	43758	CPM
	D	RG 58 - ADDITION TO DESCRIPTION	2/11/08	46922	VC



SCALE 1.500



RECOMMENDED CABLE STRIPPING DIMENSIONS  
SCALE 3.000

**CUSTOMER OUTLINE DRAWING**  
ALL OTHER SHEETS ARE FOR INTERNAL USE ONLY

UNLESS OTHERWISE SPECIFIED, DIMENSIONS ARE IN MM (INCHES) AND TOLERANCES ARE:  
 0.5 - 6mm ±0.2mm  
 6 - 30mm ±0.4mm  
 30 - 120mm ±0.6mm

NOTICE - These drawings, specifications, or other data (1) are, and remain the property of Amphenol Corp. (2) must be returned upon request; and (3) are confidential and not to be disclosed to any person other than those to whom they are given by Amphenol Corp. The furnishing of these drawings, specifications, or other data by Amphenol Corp., or to any other person to anyone for any purpose is not to be regarded by implication or otherwise in any manner licensing, granting rights or permitting such holder or any other person to manufacture, use or sell any product, process or design, patented or otherwise, that may in any way be related to or disclosed by said drawings, specifications, or other data.

MATERIAL  
 REFERENCE  
 EAR 967550-0  
 GEN# 31-6031\_ASSY

DRAWN  
 C. McGRATH  
 ENGINEER  
 T. AUBIN  
 APPROVED  
 T. AUBIN  
 CAD FILE  
 I:\BNC\31-6035

DATE  
 05-May-00  
 DATE  
 05-May-00  
 DATE  
 10-May-00

TITLE  
 BNC REVERSE POLARITY  
 CRIMP JACK  
 RG 58  
 RG 58 STANDARD CABLE

**Amphenol**  
 Amphenol Corporation  
 Communication and Network  
 Products Division  
 Danbury, CT U.S.A. 06810

SCALE: 3.0:1 SHEET 2 OF 2

CODE ID	DWG SIZE	DRAWING NO.	REV
74868	B	31-6035	D