

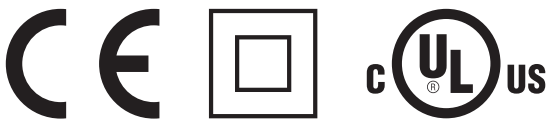


Stack light LED permanent light element

VAZ-LED-70MM-CL

- Modular design
- Flexible combination of signal elements
- Bayonet system for simple mounting and dismounting
- Long lifetime
- 70-mm-series

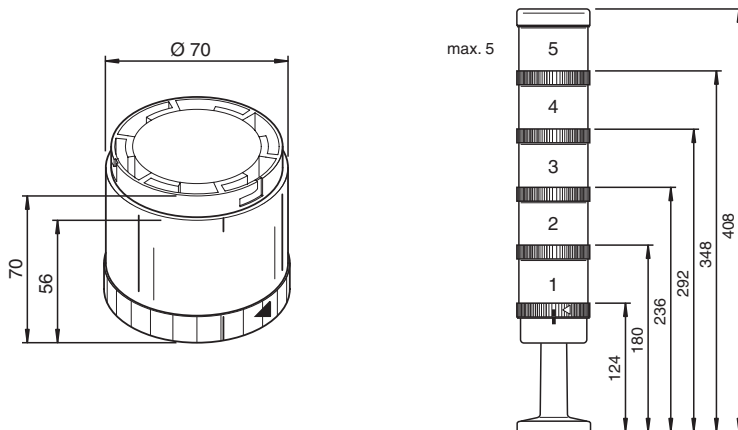
Stack light LED permanent light element, clear



Function

The LED permanent light element converts electrical signals to optical signals. It has been designed and tested according to EN 60947-5-1. The light element is available in various colours and the bayonet type connector allows easy installation on the corresponding terminal. The modular design permits user-defined combinations and reduces operation costs and storage costs. The illuminant based on LED technology is integrated in the spherical cap and features an excellent illumination, good resistance against shock and vibration as well as a long service life, which also means good MTBF figures (Mean Time Between Failures).

Dimensions



Technical Data

General specifications			
UL File Number	E223176		
Color	clear		
Functional safety related parameters			
MTTF _d	8700 a		
Electrical specifications			
Rated operating voltage	U _e	24 V AC/DC	
Rated operating current	I _e	≤ 30 mA at 24 V DC 30 mA at 30.5 V (AS-Interface)	
Protection class	II		
Ambient conditions			

Release date: 2020-06-29 Date of issue: 2020-06-29 Filename: 196237_eng.pdf

Refer to "General Notes Relating to Pepperl+Fuchs Product Information".

Pepperl+Fuchs Group
www.pepperl-fuchs.com

USA: +1 330 486 0001
fa-info@us.pepperl-fuchs.com

Germany: +49 621 776 1111
fa-info@de.pepperl-fuchs.com



Singapore: +65 6779 9091
fa-info@sg.pepperl-fuchs.com

PEPPERL+FUCHS

Technical Data

Ambient temperature	-20 ... 50 °C (-4 ... 122 °F)
Mechanical specifications	
Degree of protection	IP65
Connection	Bayonet system
Life span	Min. 100,000 hours = 11.4 years (continuous operation)

Matching system components

	VAZ-CLAMP-70MM	Stack light terminal base with cover plate
	VAZ-CLAMP-70MM-90°	Stack light terminal base with cover plate