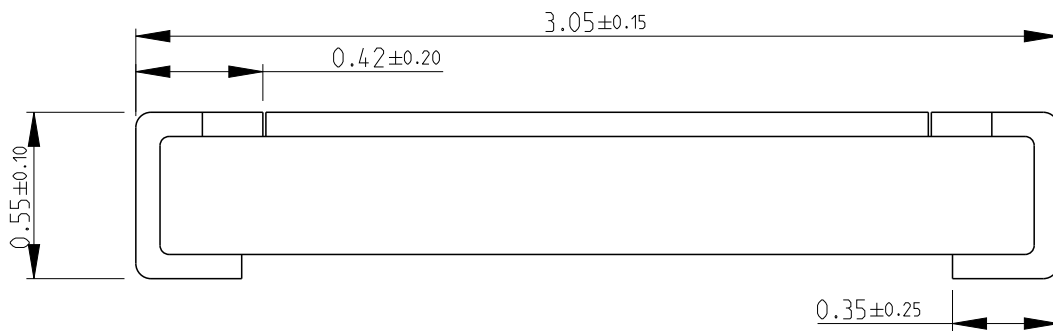


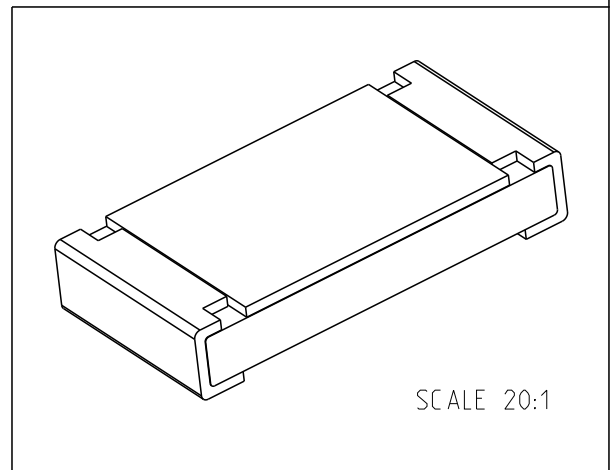
REVISIONS					
P	LTR	DESCRIPTION	DATE	DWN	APVD
	A	NEW DRAWING	21MAY2018	GCM	AP
	B	ECR-20-007404	28MAY2020	SR	AP



NOTES:

- FOR FURTHER INFORMATION SEE DATA SHEET FOR RQ73 SERIES AEC-Q200 THIN FILM PRECISION RESISTORS.

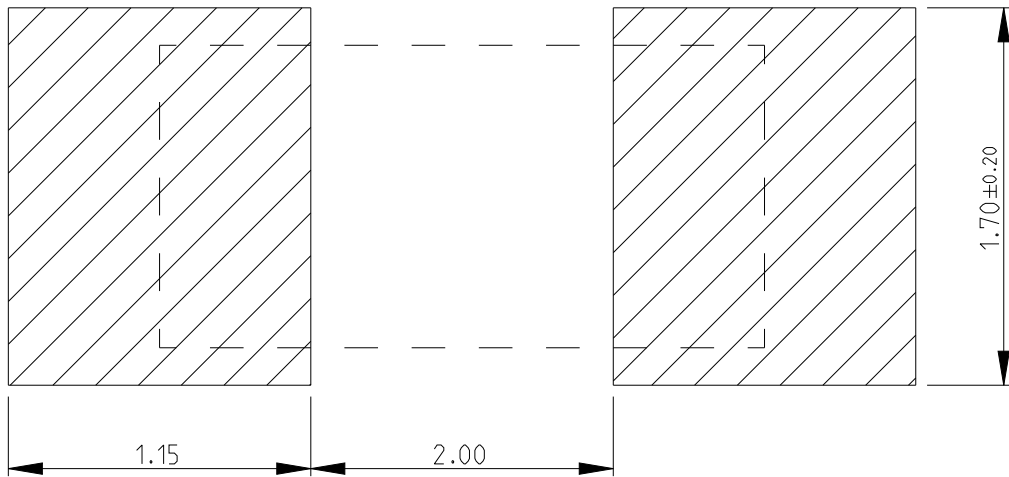
RoHS Compliant



© 2020 TE Connectivity. All Rights Reserved.


DIMENSIONS: mm	DWN GANESH C M	21MAY2018	MATERIAL	-	FINISH	-
	CHK ALLAN.P	21MAY2018				
TOLERANCES UNLESS OTHERWISE SPECIFIED:	APVD ALLAN.P	21MAY2018				
	0 PLC ±0.5	PRODUCT SPEC		NAME SMD Thin Film Precision Resistors - AEC-Q200 Compliant - Type RQ73 1206 Series		
1 PLC ±0.2	-		SIZE	CAGE CODE	DRAWING NO	RESTRICTED TO
2 PLC ±0.1	APPLICATION SPEC		A 4	00779	C=2176383	
3 PLC ±	-		WEIGHT			
4 PLC ±	-		CUSTOMER DRAWING			
ANGLES 5°	-		SCALE	40:1	SHEET	1 OF 2
	-		REV B			

REVISIONS					
P	LTR	DESCRIPTION	DATE	DWN	APVD
-		SEE SHEET 1	-	-	-



RECOMMENDED LAND PATTERN

© 2020 TE Connectivity. All Rights Reserved.

DIMENSIONS:		DWN	21MAY2018	MATERIAL	FINISH	
mm		GANESH C M		-	-	
TOLERANCES UNLESS OTHERWISE SPECIFIED:		CHK	21MAY2018			
		ALLAN.P				
0 PLC ±0.5 1 PLC ±0.2 2 PLC ±0.1 3 PLC ± 4 PLC ± ANGLES 45°		APVD	21MAY2018	NAME SMD Thin Film Precision Resistors - AEC-Q200 Compliant - Type RQ73 1206 Series		
		ALLAN.P				
		PRODUCT SPEC	-	SIZE	CAGE CODE	DRAWING NO
		APPLICATION SPEC	-	A 4	00779	C=2176383
		WEIGHT	-	CUSTOMER DRAWING		
				SCALE	NTS	SHEET 2 OF 2
						REV B