

LM9044 Lambda Sensor Interface Amplifier

 Check for Samples: [LM9044](#)

FEATURES

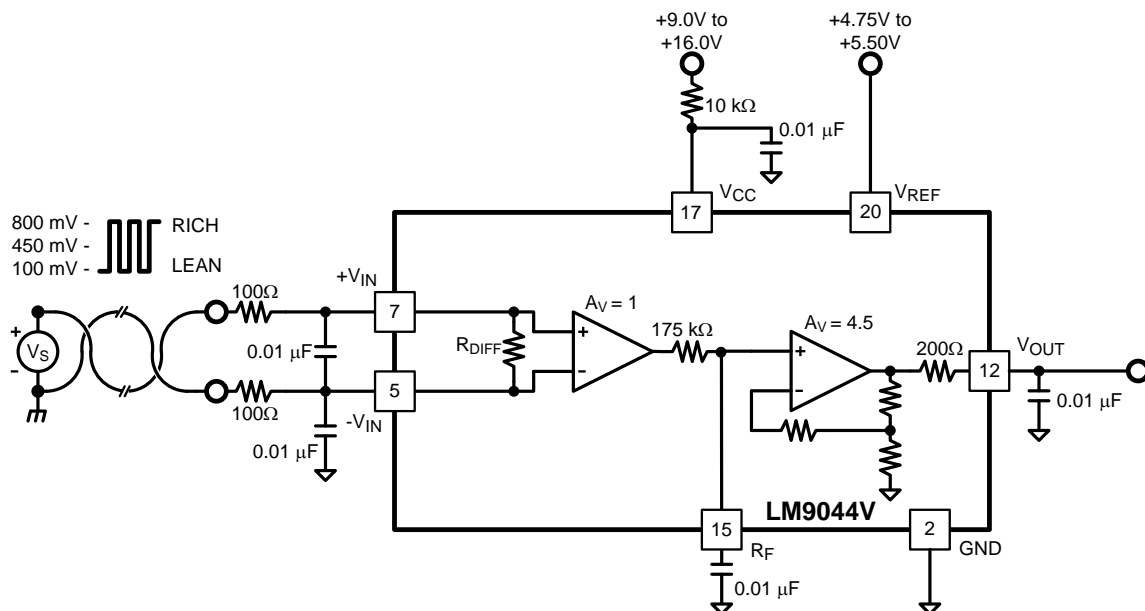
- Normal Circuit Operation Specified with Inputs up to 3V Below Ground on a Single Supply.
- Gain Factory Trimmed and Specified over Temperature ($\pm 3\%$ of Full-scale from -40°C to $+125^{\circ}\text{C}$)
- Low Power Consumption (Typically 1 mA)
- Fully Protected Inputs
- Input Open Circuit Detection
- Operation Specified over the Entire Automotive Temperature Range (-40°C to $+125^{\circ}\text{C}$)

DESCRIPTION

The LM9044 is a precision differential amplifier specifically designed for operation in the automotive environment. Gain accuracy is specified over the entire automotive temperature range (-40°C to $+125^{\circ}\text{C}$) and is factory trimmed after package assembly. The input circuitry has been specifically designed to reject common-mode signals as much as 3V below ground without the need for a negative voltage supply. This facilitates the use of sensors which are grounded at the engine block while the LM9044 itself is grounded at chassis potential. An external capacitor on the R_F pin sets the maximum operating frequency of the amplifier, thereby filtering high frequency transients. Both inputs are protected against accidental shorting to the battery and against load dump transients. The input impedance is typically 1.2 M Ω .

The output op amp is capable of driving capacitive loads and is fully protected. Also, internal circuitry has been provided to detect open circuit conditions on either or both inputs and force the output to a "home" position (a ratio of the external reference voltage).

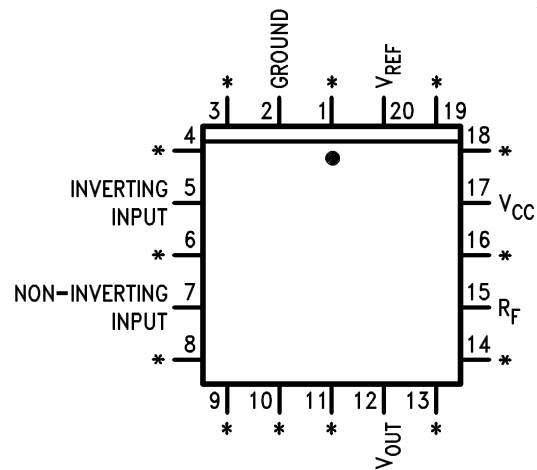
Typical Application



Please be aware that an important notice concerning availability, standard warranty, and use in critical applications of Texas Instruments semiconductor products and disclaimers thereto appears at the end of this data sheet.

All trademarks are the property of their respective owners.

Connection Diagram



*Pins 1, 3, 4, 6, 8, 9, 10, 11, 13, 14, 16, 18, 19 are trim pins and should be left floating.

**Figure 1. Top View
PLCC Package
See Package Number FN0020A**



These devices have limited built-in ESD protection. The leads should be shorted together or the device placed in conductive foam during storage or handling to prevent electrostatic damage to the MOS gates.

ABSOLUTE MAXIMUM RATINGS⁽¹⁾⁽²⁾

| | |
|---|-----------------|
| V _{CC} Supply Voltage (R _{VCC} = 15 kΩ) | ±60V |
| V _{REF} Supply Voltage | -0.3V to +6V |
| DC Input Voltage (Either input) ⁽³⁾ | -3V to +16V |
| Input Transients ⁽⁴⁾ | ±60V |
| Power Dissipation see ⁽⁵⁾ | 1350 mW |
| Output Short Circuit Duration | Indefinite |
| Operating Temperature Range | -40°C to +125°C |
| Storage Temperature Range | -65°C to +150°C |
| Soldering Information | |
| PLCC Package | |
| Vapor Phase (60 seconds) | 215°C |
| Infrared (15 seconds) | 220°C |

See <http://www.ti.com> for other methods of soldering surface mount devices.

- (1) Absolute Maximum Ratings indicate limits beyond which damage to the device may occur.
- (2) If Military/Aerospace specified devices are required, please contact the Texas Instruments Sales Office/Distributors for availability and specifications.
- (3) With a 100Ω series resistor on each input pin.
- (4) This test is performed with a 1000Ω source impedance.
- (5) For operation in ambient temperatures above 25°C the device must be derated based on a maximum junction temperature of 150°C and a thermal resistance of 93°C/W junction to ambient.

ELECTRICAL CHARACTERISTICS

V_{CC} = 12V, V_{REF} = 5V, -40°C ≤ T_A ≤ 125°C unless otherwise noted

| Parameter | Conditions | (1) | | | (2) | | | Units |
|--|---|-------|-------|-------|-------|-------|-------|-------------------|
| | | Min | Typ | Max | Min | Typ | Max | |
| Differential Voltage Gain | V _{DIFF} = 0.5, -1V ≤ V _{CM} ≤ +1V | 4.41 | 4.50 | 4.59 | - | - | - | V/V |
| | V _{DIFF} = 0.5, -3V ≤ V _{CM} ≤ +1V | - | - | - | 4.36 | 4.50 | 4.64 | V/V |
| Gain Error ⁽³⁾ | 0 ≤ V _{DIFF} ≤ 1V, -1V ≤ V _{CM} ≤ +1V | -2 | 0 | 2 | - | - | - | %/FS |
| | 0 ≤ V _{DIFF} ≤ 1V, -3 ≤ V _{CM} ≤ +1V | - | - | - | -3 | 0 | 3 | %/FS |
| Differential Input Resistance | 0 ≤ V _{DIFF} ≤ 1V, -1V ≤ V _{CM} ≤ +1V | 0.95 | 1.20 | 3.00 | - | - | - | MΩ |
| | 0 ≤ V _{DIFF} ≤ 1V, -3 ≤ V _{CM} ≤ +1V | - | - | - | 0.70 | 1.20 | 4.00 | MΩ |
| Non-Inverting Input Bias Current | 0 ≤ V _{DIFF} ≤ 1V, -1 ≤ V _{CM} ≤ +1V | - | ±0.38 | ±0.65 | - | - | - | μA |
| | 0 ≤ V _{DIFF} ≤ 1V, -3 ≤ V _{CM} ≤ +1V | - | - | - | - | ±0.38 | ±1.5 | μA |
| Inverting Input Bias Current | 0 ≤ V _{DIFF} ≤ 1V, -1 ≤ V _{CM} ≤ +1V | -25 | -65 | -100 | - | - | - | μA |
| | 0 ≤ V _{DIFF} ≤ 1V, -3 ≤ V _{CM} ≤ +1V | - | - | - | - | -45 | -150 | μA |
| V _{CC} Supply Current | V _{CC} = 12V, R _{VCC} = 15k | - | 300 | 500 | - | - | - | μA |
| V _{REF} Supply Current | 4.75V ≤ V _{REF} ≤ 5.5V | - | 0.5 | 1.0 | - | - | - | mA |
| Common-Mode Voltage Range ⁽⁴⁾ | | -1 | - | 1 | -3 | - | 1 | V |
| DC Common-Mode Rejection Ratio | Input Referred | | | | | | | |
| | -1V ≤ V _{CM} ≤ +1V, V _{DIFF} = 0.5V | 50 | 60 | - | - | - | - | dB |
| Open Circuit Output Voltage | One or Both Inputs Open | | | | | | | |
| | -1V ≤ V _{CM} ≤ +1V | 0.371 | 0.397 | 0.423 | - | - | - | xV _{REF} |
| | -3V ≤ V _{CM} ≤ +1V | - | - | - | 0.365 | 0.397 | 0.439 | xV _{REF} |
| Short Circuit Output Current | Output Grounded | 1.0 | 2.7 | 5.0 | - | - | - | mA |

- (1) These parameters are specified and 100% production tested.
- (2) These parameters will be specified but not 100% production tested.
- (3) Gain error is given as a percent of full-scale. Full-scale is defined as 1V at the input and 4.5V at the output.
- (4) The LM9044 has been designed to common-mode to -3V, but production testing is only performed at ±1V.

ELECTRICAL CHARACTERISTICS (continued)
 $V_{CC} = 12V$, $V_{REF} = 5V$, $-40^{\circ}C \leq T_A \leq 125^{\circ}C$ unless otherwise noted

| Parameter | Conditions | (1) | | | (2) | | | Units |
|--|--|-----|-----|-----|-----|-----|-----|-------|
| | | Min | Typ | Max | Min | Typ | Max | |
| V_{CC} Power Supply Rejection Ratio | $V_{CC} = 12V$, $R_{V_{CC}} = 15k$ $V_{DIFF} = 0.5V$ | 50 | 65 | - | - | - | - | dB |
| V_{REF} Power Supply Rejection Ratio | $V_{REF} = 5 V_{DC}$ $V_{DIFF} = 0.5V$ | 60 | 74 | - | - | - | - | dB |

TYPICAL PERFORMANCE CHARACTERISTICS

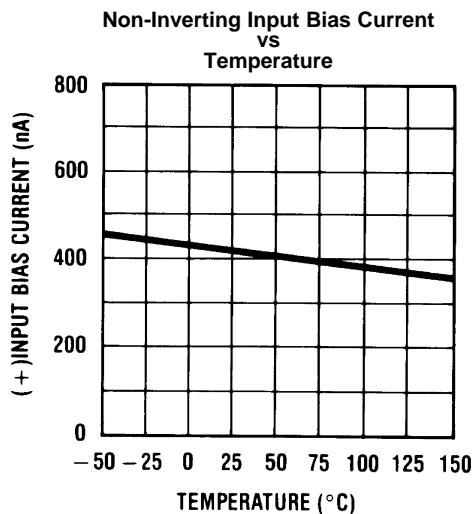


Figure 2.

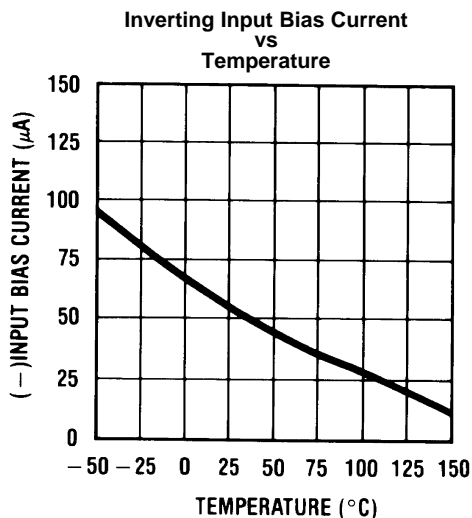


Figure 3.

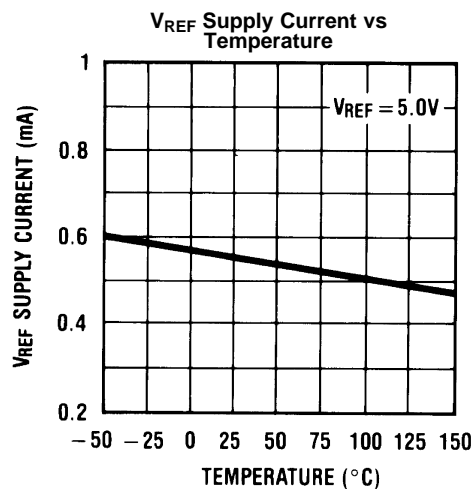


Figure 4.

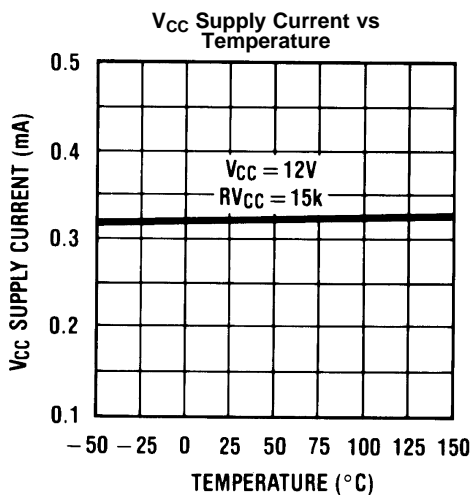


Figure 5.

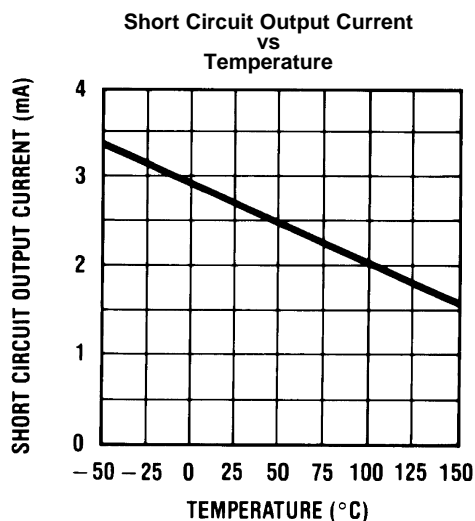


Figure 6.

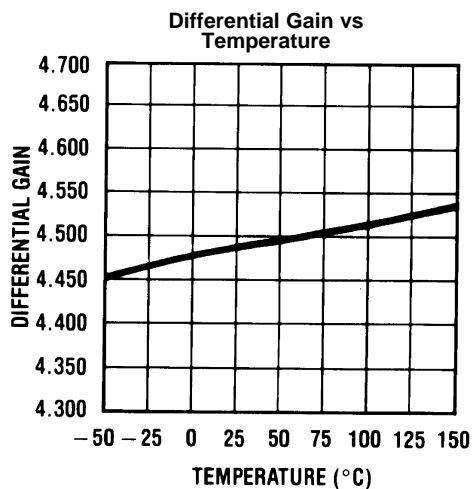


Figure 7.

TYPICAL PERFORMANCE CHARACTERISTICS (continued)

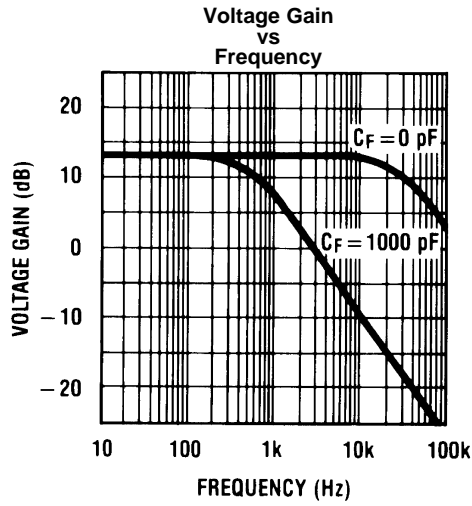


Figure 8.

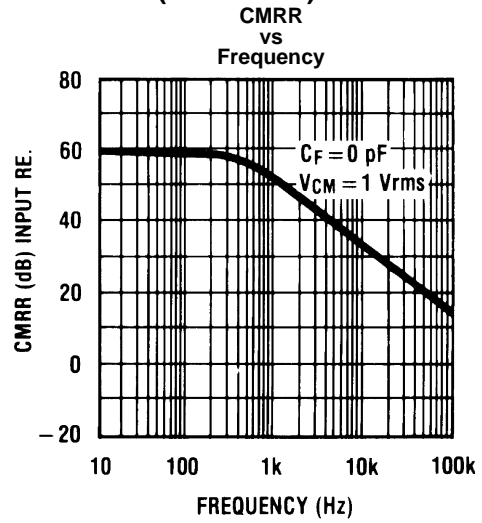


Figure 9.

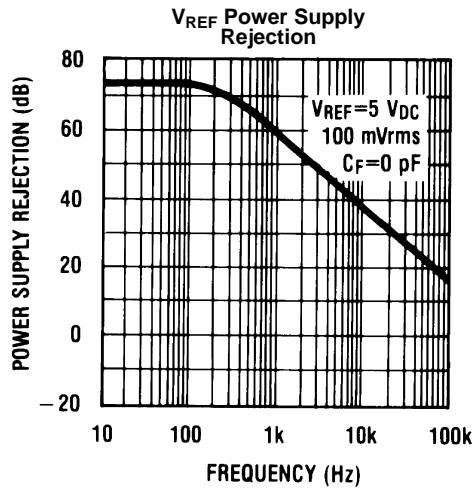


Figure 10.

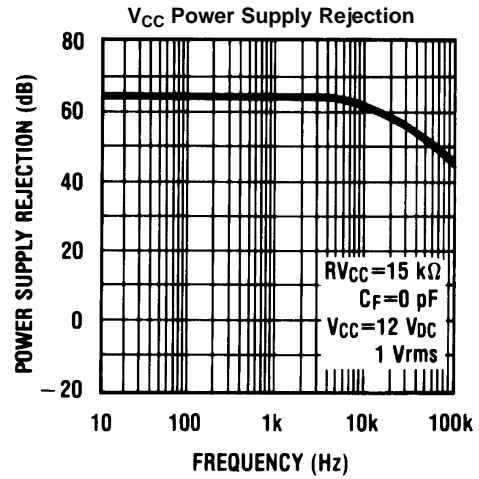
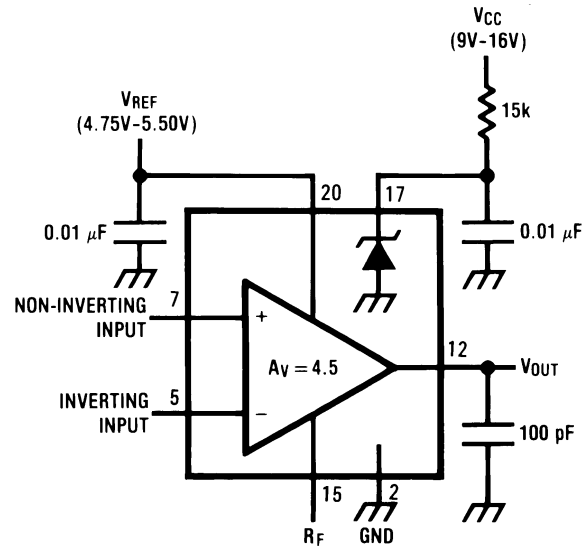
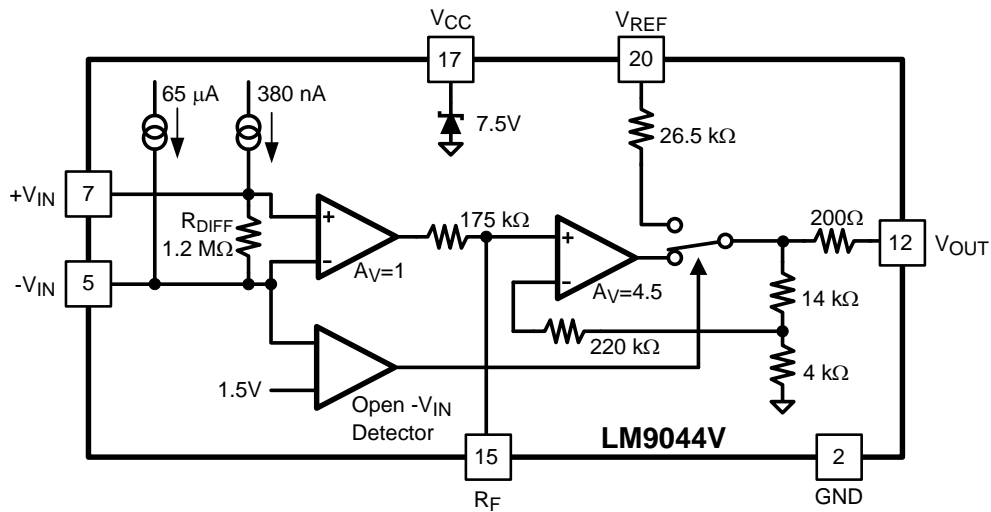


Figure 11.

TEST CIRCUIT



Block Diagram



APPLICATION INFORMATION

CIRCUIT DESCRIPTION

The LM9044 is a single channel device intended to act as a linear interface between a zirconium dioxide oxygen sensor and an A-to-D convertor. The LM9044 is fabricated in Bipolar technology and requires two supplies: a nominal 12V automotive supply (i.e. $V_{BATTERY}$), and a well regulated 5V supply.

The IC consists of a single channel differential input amplifier with a nominal DC gain of 4.5 V/V. The differential inputs have a specified common mode voltage operating range of 1V above and below ground. The circuitry also contains provisions for default output voltage in the cases of cold sensor and open sensor wiring. Additional support circuitry includes one pin for an optional user programmed low pass filter.

COLD SENSOR

Typically, a Lambda sensor will have an impedance of less than 10 k Ω when operating at temperatures between 300°C, and 500°C. When a Lambda sensor is not at operating temperature, its impedance can be more than 10 Meg Ω . Any voltage signal that may be developed is seriously attenuated. During this high impedance condition the LM9044 will provide a default output voltage.

While the Lambda sensor is high impedance the internal non-inverting input bias current (380 nA typical) will flow through the differential input resistance (1.2 M Ω typical) and out the inverting input pin to ground. This will cause a voltage to be developed across the differential inputs:

$$V_{IN(DIFF)} = 380 \text{ nA} \times 1.2 \text{ M}\Omega$$

$$V_{IN(DIFF)} = 456 \text{ mV}$$

The 456 mV across differential input resistance will be the dominant input signal, and the typical V_{OUT} will be:

$$V_{OUT} = V_{IN(DIFF)} \times 4.50$$

$$V_{OUT} = 456 \text{ mV} \times 4.50$$

$$V_{OUT} = 2.0\text{V}$$

As the Lambda sensor is heated, and the sensor impedance begins to drop, the voltage signal from the sensor will become the dominate signal.

The non-inverting input bias current is scaled to the V_{REF} voltage. As the V_{REF} voltage increases, or decreases, this bias current will change proportionally.

OPEN INPUT PINS DEFAULTS

In any remote sensor application it is desirable to be able to deal with the possibility of open connections between the sensor and the control module. The LM9044 is capable of providing a default output voltage should either, or both, of the wires to the Lambda sensor open. The two inputs handle the open circuit condition differently.

For the case of an open connection at the non-inverting input, the device would react exactly the same as for the Cold Sensor condition. The internal non-inverting input bias current (380 nA typical) flowing through the differential input resistance (1.2 M Ω typical) would cause the typical output voltage to be at a value defined by:

$$V_{OUT} = ((380 \text{ nA} \times 1.2\text{M}\Omega) \times 4.50)$$

$$V_{OUT} = 2.0\text{V}$$

The inverting input would still be connected to the Lambda sensor ground, so common mode signals would still need to be considered in this condition.

For the case of an open connection of the inverting input, the device output stage switches from the amplifier output to a resistive voltage divider. The LM9044 has a comparator to monitor the voltage on the inverting input pin, and a 65 μA (typical) current source that will force the pin high if the pin is open. When the voltage on the inverting pin goes above typically 1.5V, the comparator will switch the output pin from the amplifier output to the resistive voltage divider stage. In this case, the default V_{OUT} is not dependent on the gain stage, and any signal on the non-inverting input will be ignored.

In this condition V_{OUT} is:

$$V_{OUT} = V_{REF} \times ((14k + 4k) / (26.5k + 14k + 4k))$$

$$V_{OUT} = V_{REF} \times 0.4045$$

When V_{REF} is at 5.0V, V_{OUT} is defined as:

$$V_{OUT} = 5.0V \times 0.4045$$

$$V_{OUT} = 2.0V$$

In the cases where both the inverting and non-inverting pins are open, the open inverting pin condition (i.e.: a voltage divider across the output) will be the dominant condition.

Any common mode voltage transient on the inverting input pin which goes above the comparator threshold will immediately cause the output to switch to the resistive voltage divider mode. The output will return to normal operation when the voltage on the inverting input falls below the 1.5V threshold.

OUTPUT RESISTANCE

Under normal operating conditions the output pin resistance is typically 200Ω.

If the LM9044 is operating in a default output mode due an open connection on the inverting input, the output resistance will typically appear to be close to 11 kΩ.

An external output filter capacitor value of no more than 0.01 μF is generally recommended. Since the output pin voltage drive is basically a simple NPN emitter follower, the output pin pull-down is done by the internal feedback resistor string. With larger value capacitors on the output pin the effect will be somewhat similar to a voltage peak detector where the output capacitor is charged through the 200Ω resistor, and discharged back through the 200Ω resistor and the 18 kΩ feedback resistor string to ground.

The output resistance provides current limiting for the output stage should it become shorted to Ground. Any DC loading of the output will cause an error in the output voltage.

SUPPLY BYPASSING

For best performance the LM9044 requires a V_{REF} supply which is stable and noise free. The same 5V reference supply used for the A/D converter is the recommended LM9044 V_{REF} supply.

The LM9044 V_{CC} pin has an internal zener shunt voltage regulator, typically 7.5V, and requires a series resistor to limit the current. The V_{CC} pin should be bypassed with a minimum 0.01 μF capacitor to the Ground pin, and should be located as close to the device as possible. Some applications may require an additional bypass capacitance if the system voltage is unusually noisy.

SETTING THE BANDWIDTH

The LM9044 bandwidth is limited by an external capacitor (C_F) on the R_F pin.

This pin has an internal 175 kΩ resistor. The external capacitor and the internal resistor form a simple RC low-pass filter with a corner frequency (f_C) defined as:

$$f_C = 1 / (2 \times \pi \times 175 \text{ k}\Omega \times C_F)$$

With a C_F capacitor value of 0.001 μF, the corner frequency is:

$$f_C = 1 / (2 \times \pi \times 175 \text{ k}\Omega \times 0.001 \text{ }\mu\text{F})$$

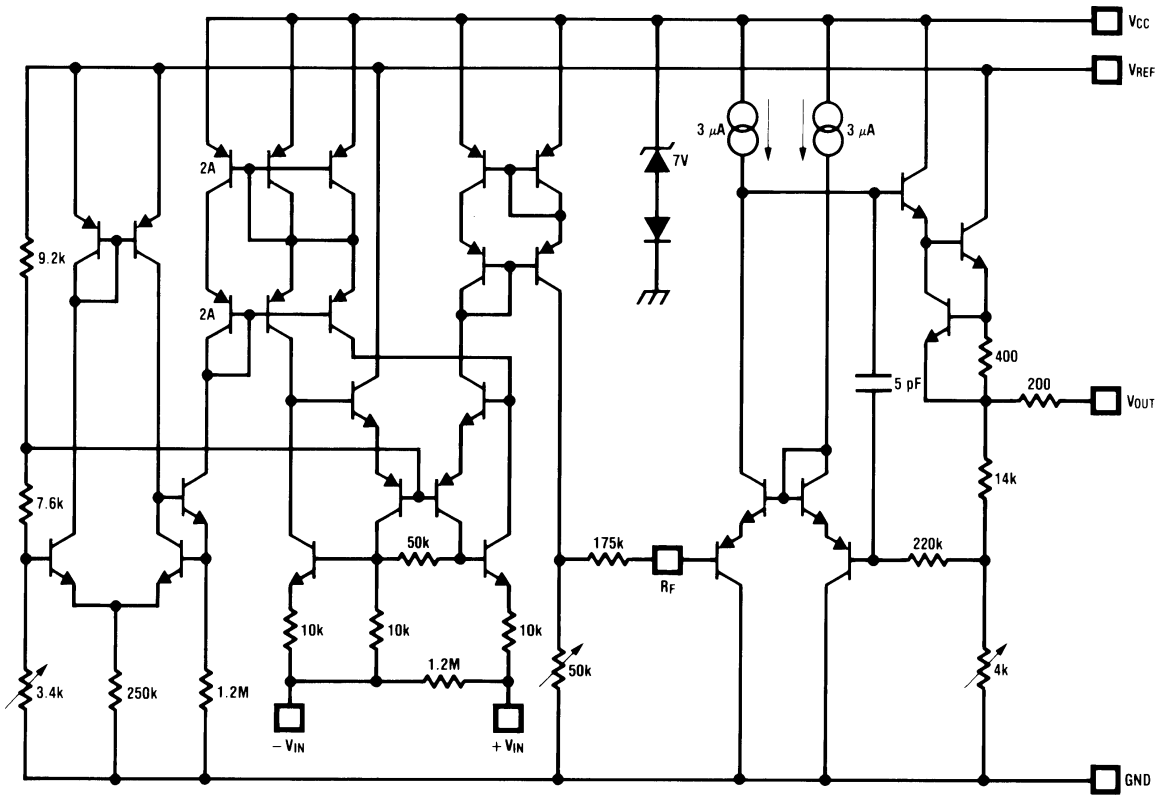
$$f_C = 909 \text{ Hz}$$

INPUT FILTERING

Filtering at the differential inputs is strongly recommended. Both the differential voltage signal and the common mode voltage signal should have low pass filters.

Input filtering is accomplished with series resistors on the input pins, and appropriate bypass capacitors. Typical input pin series resistance values are in the 100Ω to 1kΩ range. Series resistance values larger than 1kΩ will generate offset voltages that affect the accuracy of the signal voltage seen at the differential input pins.



Simplified Internal Schematic



REVISION HISTORY

| Changes from Revision C (March 2013) to Revision D | Page |
|--|--------------------------|
| <hr/> <ul style="list-style-type: none">• Changed layout of National Data Sheet to TI format | <hr/> 10 |

PACKAGING INFORMATION

| Orderable Device | Status (1) | Package Type | Package Drawing | Pins | Package Qty | Eco Plan (2) | Lead finish/ Ball material (6) | MSL Peak Temp (3) | Op Temp (°C) | Device Marking (4/5) | Samples |
|------------------|---------------|--------------|-----------------|------|-------------|-----------------|--------------------------------------|-------------------------|--------------|-------------------------|---|
| LM9044V/NOPB | ACTIVE | PLCC | FN | 20 | 40 | RoHS & Green | SN | Level-2A-250C-4 WEEK | -40 to 125 | LM9044V |  |
| LM9044VX/NOPB | ACTIVE | PLCC | FN | 20 | 1000 | RoHS & Green | SN | Level-2A-250C-4 WEEK | -40 to 125 | LM9044V |  |

(1) The marketing status values are defined as follows:

ACTIVE: Product device recommended for new designs.

LIFEBUY: TI has announced that the device will be discontinued, and a lifetime-buy period is in effect.

NRND: Not recommended for new designs. Device is in production to support existing customers, but TI does not recommend using this part in a new design.

PREVIEW: Device has been announced but is not in production. Samples may or may not be available.

OBSOLETE: TI has discontinued the production of the device.

(2) **RoHS:** TI defines "RoHS" to mean semiconductor products that are compliant with the current EU RoHS requirements for all 10 RoHS substances, including the requirement that RoHS substance do not exceed 0.1% by weight in homogeneous materials. Where designed to be soldered at high temperatures, "RoHS" products are suitable for use in specified lead-free processes. TI may reference these types of products as "Pb-Free".

RoHS Exempt: TI defines "RoHS Exempt" to mean products that contain lead but are compliant with EU RoHS pursuant to a specific EU RoHS exemption.

Green: TI defines "Green" to mean the content of Chlorine (Cl) and Bromine (Br) based flame retardants meet JS709B low halogen requirements of <=1000ppm threshold. Antimony trioxide based flame retardants must also meet the <=1000ppm threshold requirement.

(3) MSL, Peak Temp. - The Moisture Sensitivity Level rating according to the JEDEC industry standard classifications, and peak solder temperature.

(4) There may be additional marking, which relates to the logo, the lot trace code information, or the environmental category on the device.

(5) Multiple Device Markings will be inside parentheses. Only one Device Marking contained in parentheses and separated by a "~" will appear on a device. If a line is indented then it is a continuation of the previous line and the two combined represent the entire Device Marking for that device.

(6) Lead finish/Ball material - Orderable Devices may have multiple material finish options. Finish options are separated by a vertical ruled line. Lead finish/Ball material values may wrap to two lines if the finish value exceeds the maximum column width.

Important Information and Disclaimer:The information provided on this page represents TI's knowledge and belief as of the date that it is provided. TI bases its knowledge and belief on information provided by third parties, and makes no representation or warranty as to the accuracy of such information. Efforts are underway to better integrate information from third parties. TI has taken and continues to take reasonable steps to provide representative and accurate information but may not have conducted destructive testing or chemical analysis on incoming materials and chemicals. TI and TI suppliers consider certain information to be proprietary, and thus CAS numbers and other limited information may not be available for release.

In no event shall TI's liability arising out of such information exceed the total purchase price of the TI part(s) at issue in this document sold by TI to Customer on an annual basis.

TUBE


*All dimensions are nominal

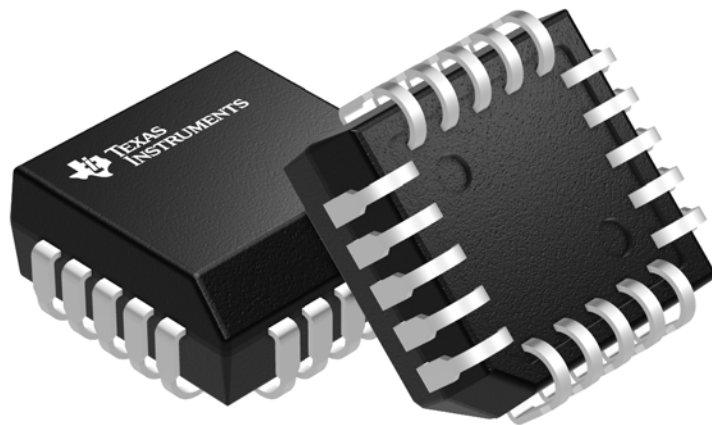
| Device | Package Name | Package Type | Pins | SPQ | L (mm) | W (mm) | T (μm) | B (mm) |
|--------------|--------------|--------------|------|-----|--------|--------|--------|--------|
| LM9044V/NOPB | FN | PLCC | 20 | 40 | 427 | 12 | 7239 | 5.46 |

FN 20

GENERIC PACKAGE VIEW

PLCC - 4.57 mm max height

PLASTIC CHIP CARRIER



Images above are just a representation of the package family, actual package may vary.
Refer to the product data sheet for package details.

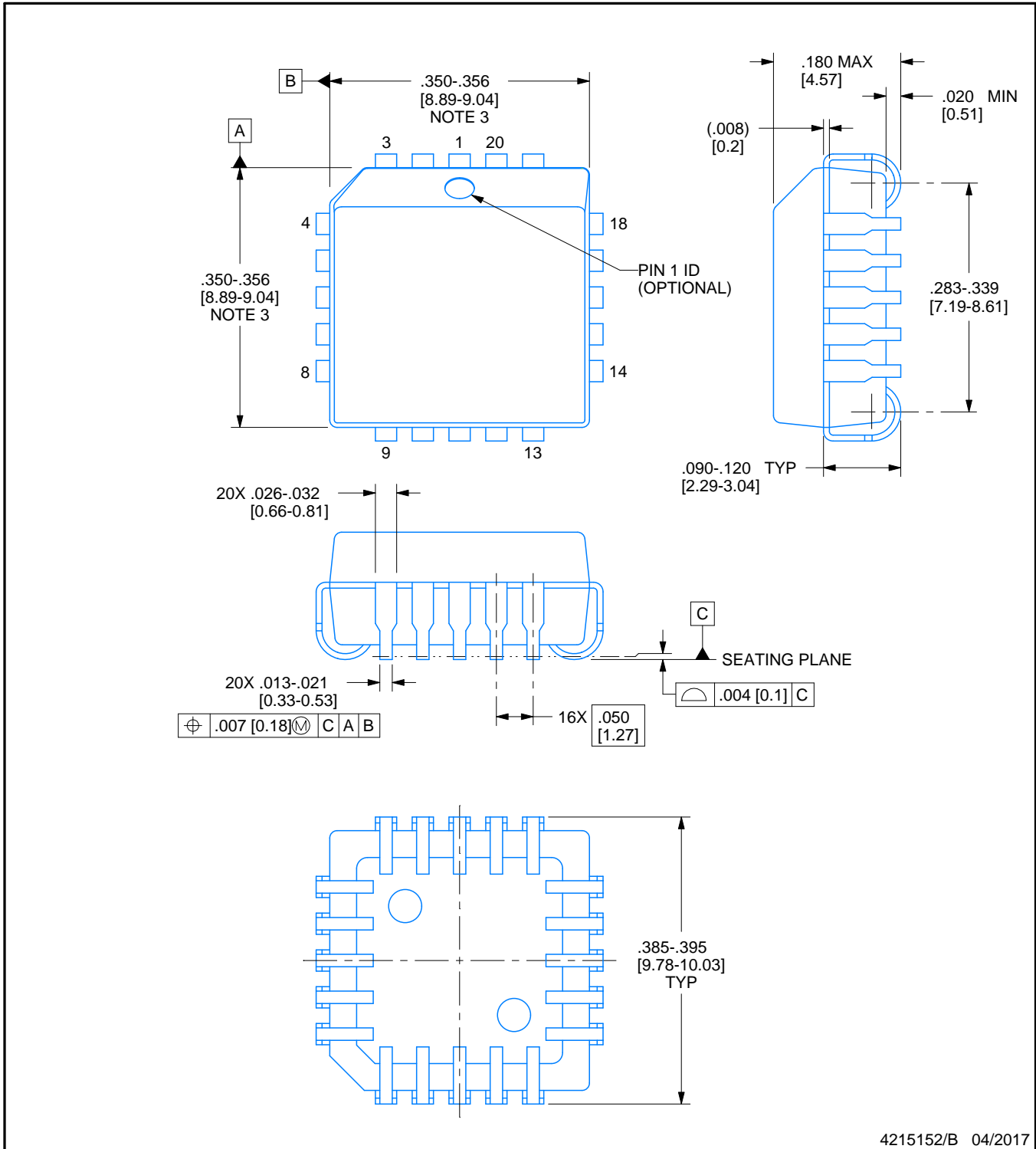
4040005-2/C



FN0020A

PACKAGE OUTLINE PLCC - 4.57 mm max height

PLASTIC CHIP CARRIER



4215152/B 04/2017

NOTES:

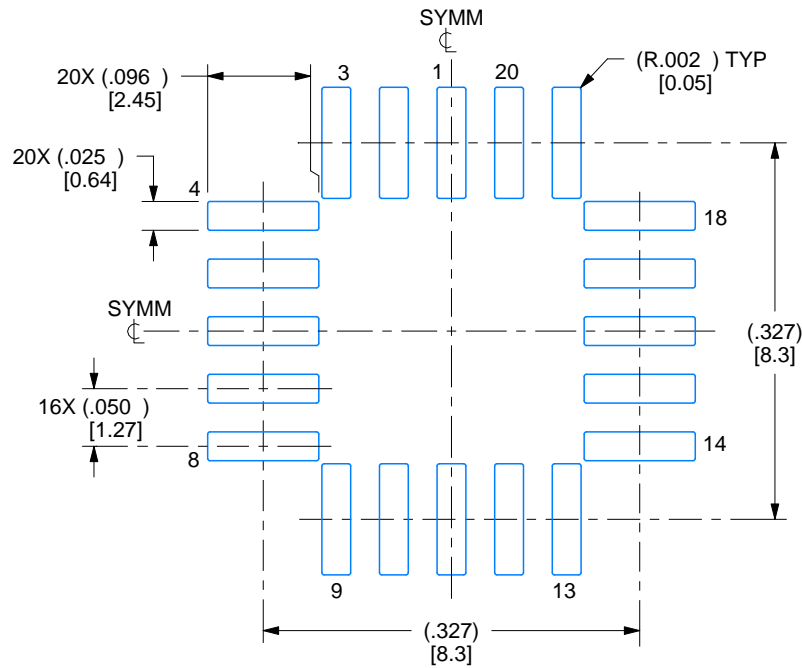
1. All linear dimensions are in inches. Any dimensions in brackets are in millimeters. Any dimensions in parenthesis are for reference only. Controlling dimensions are in inches. Dimensioning and tolerancing per ASME Y14.5M.
2. This drawing is subject to change without notice.
3. Dimension does not include mold protrusion. Maximum allowable mold protrusion .01 in [0.25 mm] per side.
4. Reference JEDEC registration MS-018.

EXAMPLE BOARD LAYOUT

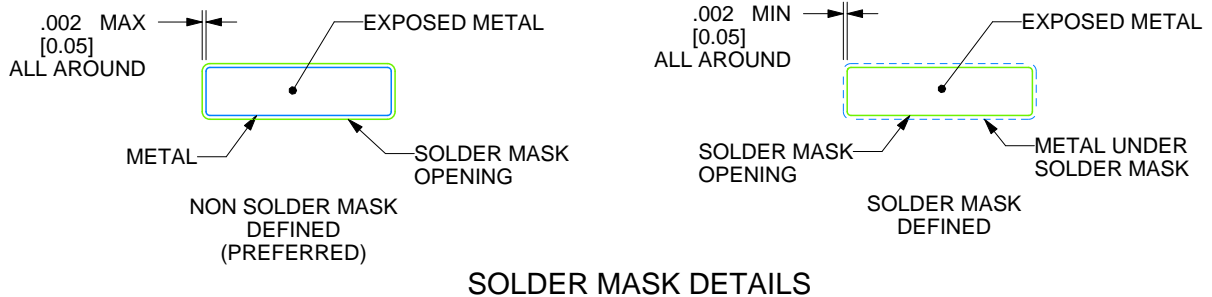
FN0020A

PLCC - 4.57 mm max height

PLASTIC CHIP CARRIER



LAND PATTERN EXAMPLE
EXPOSED METAL SHOWN
SCALE:6X



SOLDER MASK DETAILS

4215152/B 04/2017

NOTES: (continued)

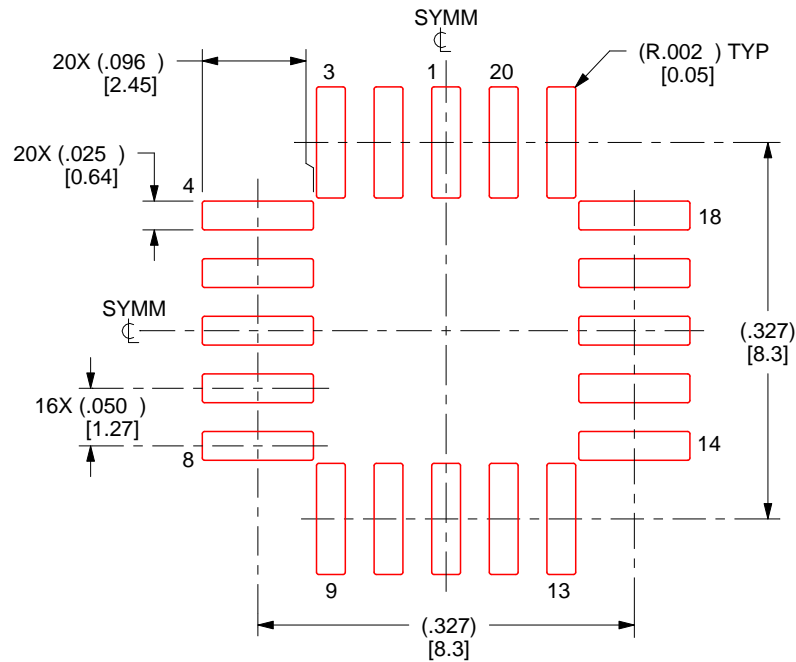
- Publication IPC-7351 may have alternate designs.
- Solder mask tolerances between and around signal pads can vary based on board fabrication site.

EXAMPLE STENCIL DESIGN

FN0020A

PLCC - 4.57 mm max height

PLASTIC CHIP CARRIER



SOLDER PASTE EXAMPLE
BASED ON 0.125 mm THICK STENCIL
SCALE:6X

4215152/B 04/2017

NOTES: (continued)

7. Laser cutting apertures with trapezoidal walls and rounded corners may offer better paste release. IPC-7525 may have alternate design recommendations.
8. Board assembly site may have different recommendations for stencil design.

IMPORTANT NOTICE AND DISCLAIMER

TI PROVIDES TECHNICAL AND RELIABILITY DATA (INCLUDING DATA SHEETS), DESIGN RESOURCES (INCLUDING REFERENCE DESIGNS), APPLICATION OR OTHER DESIGN ADVICE, WEB TOOLS, SAFETY INFORMATION, AND OTHER RESOURCES "AS IS" AND WITH ALL FAULTS, AND DISCLAIMS ALL WARRANTIES, EXPRESS AND IMPLIED, INCLUDING WITHOUT LIMITATION ANY IMPLIED WARRANTIES OF MERCHANTABILITY, FITNESS FOR A PARTICULAR PURPOSE OR NON-INFRINGEMENT OF THIRD PARTY INTELLECTUAL PROPERTY RIGHTS.

These resources are intended for skilled developers designing with TI products. You are solely responsible for (1) selecting the appropriate TI products for your application, (2) designing, validating and testing your application, and (3) ensuring your application meets applicable standards, and any other safety, security, regulatory or other requirements.

These resources are subject to change without notice. TI grants you permission to use these resources only for development of an application that uses the TI products described in the resource. Other reproduction and display of these resources is prohibited. No license is granted to any other TI intellectual property right or to any third party intellectual property right. TI disclaims responsibility for, and you will fully indemnify TI and its representatives against, any claims, damages, costs, losses, and liabilities arising out of your use of these resources.

TI's products are provided subject to [TI's Terms of Sale](#) or other applicable terms available either on ti.com or provided in conjunction with such TI products. TI's provision of these resources does not expand or otherwise alter TI's applicable warranties or warranty disclaimers for TI products.

TI objects to and rejects any additional or different terms you may have proposed.

Mailing Address: Texas Instruments, Post Office Box 655303, Dallas, Texas 75265
Copyright © 2022, Texas Instruments Incorporated