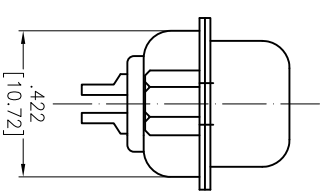
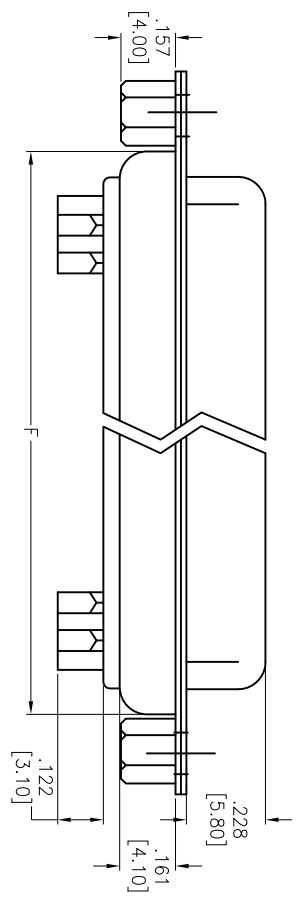
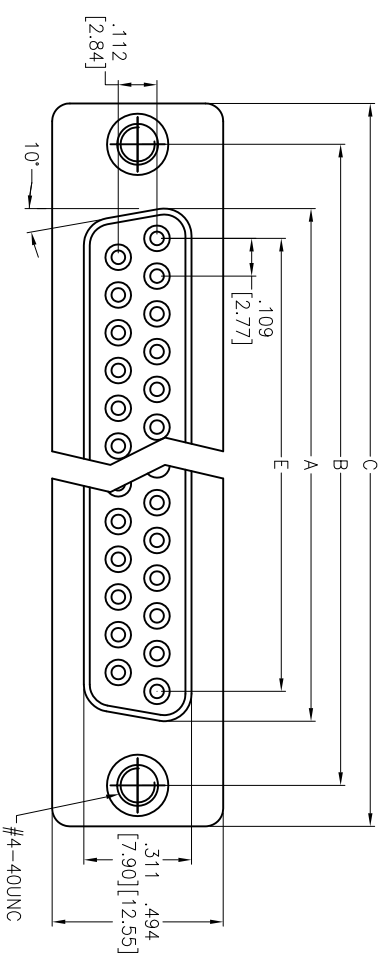


APPROVED: _____
 DATE: _____ TITLE: _____

Rev	AWO #	Description	Date	Appr
-		RELEASED	9/5/06	
A		REDRAWN	06/27/13	



DXXX	NO. OF CONTACTS	DIMENSIONS				
		A	B	C	D	D
DE09	9	.643 [16.33]	.984 [24.99]	1.213 [30.81]	.756 [19.20]	.436 [11.08]
DA15	15	.972 [24.77]	1.311 [33.30]	1.543 [39.20]	1.091 [27.70]	.763 [19.39]
DB25	25	1.512 [38.40]	1.852 [47.04]	2.089 [53.05]	1.618 [41.10]	1.309 [33.24]
DC37	37	2.157 [54.80]	2.500 [63.50]	2.732 [69.40]	2.256 [57.30]	1.963 [49.86]

SPECIFICATIONS:
 Material: Insulator: PBT, glass reinforced, rated UL 94V-0
 Insulator color: Black
 Contacts: Copper Alloy
 Shell: Steel, Tin plated
 Clinch Nut: Brass, Nickel plated
 Plating: Gold flash over Nickel underplate overall
 Electrical: Operating voltage: 250 VAC max
 Current rating: 3 Amps max
 Contact resistance: 20 mohms max
 Insulation resistance: 1,000 Mohms min
 Dielectric withstanding voltage: 1,000 VAC for 1 minute
 Environmental: Lead free, RoHS compliant

ADAM TECH

909 Rahway Avenue, Union, NJ 07083
 Phone: 908-687-5000 Fax: 908-687-5710

TITLE: D-SUB SOCKET, SOLDER CUP RIVETED #4-40 CLINCH NUTS

UNLESS OTHERWISE SPECIFIED ALL DIMENSIONS ARE INCHES [MM]		TOLERANCES: EXCEPT AS NOTED	
INCHES		HOLE SIZE	
.X ± .10	Ø.X	± .10	
.XX ± .020	Ø.XXX	± .015	
.XXX ± .015	Ø.XXX	± .010	
APPROVALS	DATE		
DRAWN	SS	9/5/06	
CHECKED			
APPROVED			
SIZE	PART NO.	DXXX-SD-SL	
X		SCALE: NTS	
REF: S00087T		SHEET 1 OF 1	

