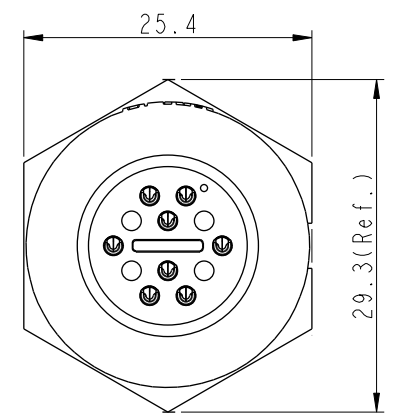
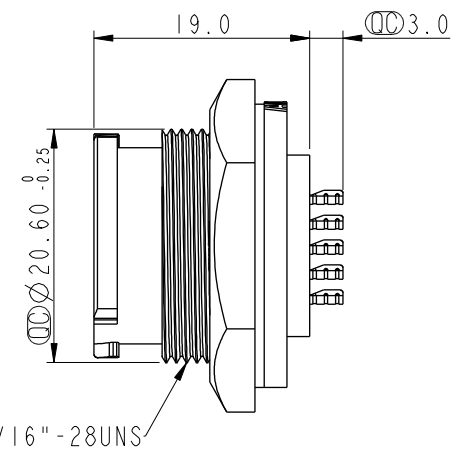
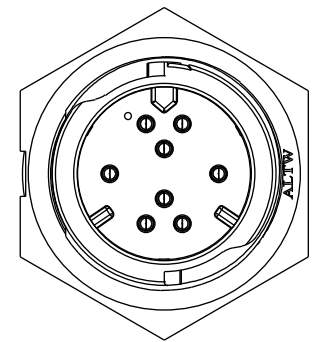


THIS DOCUMENT IS SUBJECT TO CHANGE WITHOUT NOTICE. IT IS CONFIDENTIAL AND A PROPERTY OF AMPHENOL LTW. DISCLOSURE TO THIRD PARTY HAS TO BE AUTHORIZED BY AMPHENOL LTW.

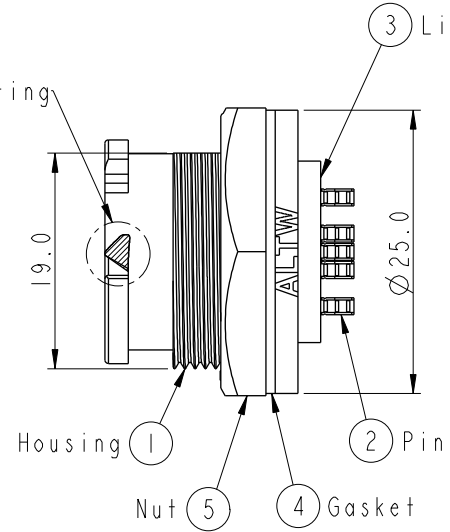
REV.	ECN NO.	DATE	SIGN	DESCRIPTION
B	C190470	2019/03/21	Vicky	Change Note

ALTW
 CONFIDENTIAL
 2019-03-21
 R&D DEPT.



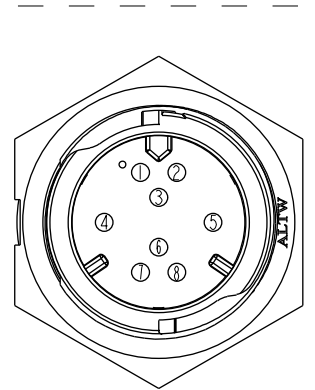
☉ White Printing

③ Liquid Glue

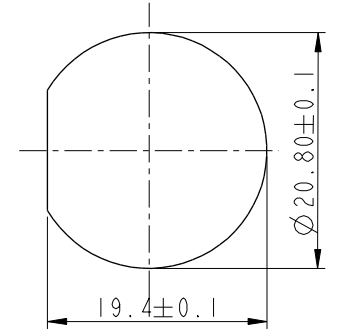


△ Note:

- * ☉ Important Dimension To Check.
- * Waterproof Rate: IP68, Unmated.
In 1 meter water within 24 hours
- * Housing: Thermoplastic, Black.
- * Pin: Copper Alloy, Gold Plated.
- * Gasket: Rubber, Gray.
- * Nut: Thermoplastic, Black.
- * Use Without Waterproof Cap
Panel Thickness Max: 4.2mm
- * Use With Waterproof Cap
Panel Thickness Max: 3.0mm
- * Gasket and Nut are packed separately
in PE bags.



Pin Assignments
Front View



Recommender Panel Cut-Out

UNIT: mm		
TOLERANCE		
.X	±0.25	
.XX	±0.1	
.XXX	±0.05	
ANGLES	±1°	

TITLE X-Lok C Size Receptacle Front 8 Pin M Conn. M Pin			
SCALE 3:2	SIZE A4	SHEET 1 OF 1	
REV. B	WC-REV. A.2	☉: Inspection item	

Amphenol LTW
 安費諾亮泰企業股份有限公司

ITEM NO. CD-08PMMS-QC8001	DRAWN BY Vicky	DATE 2019-03-21
DWG NO. CD-08PMMS-QC8001	CHECKED BY Rita	DATE 2019-03-21
CUSTOMER ALTW	APPROVED BY Max	DATE 2019-03-21