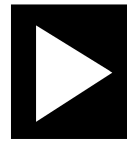
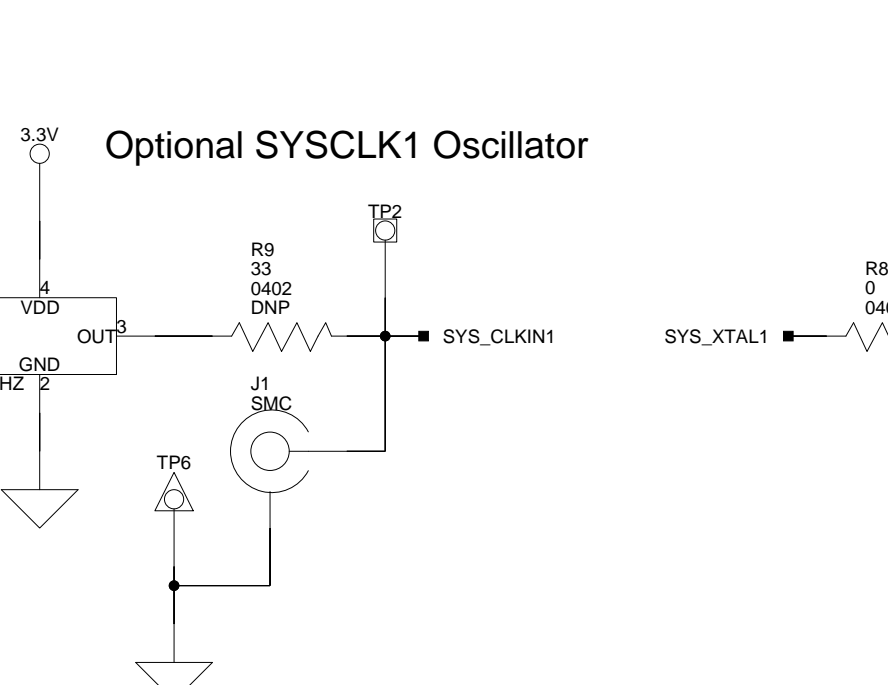
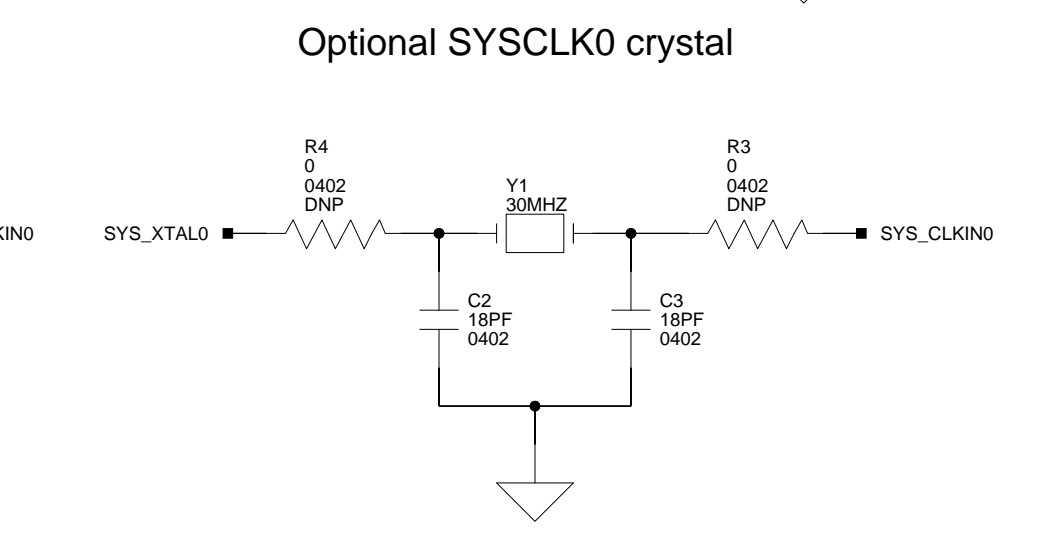
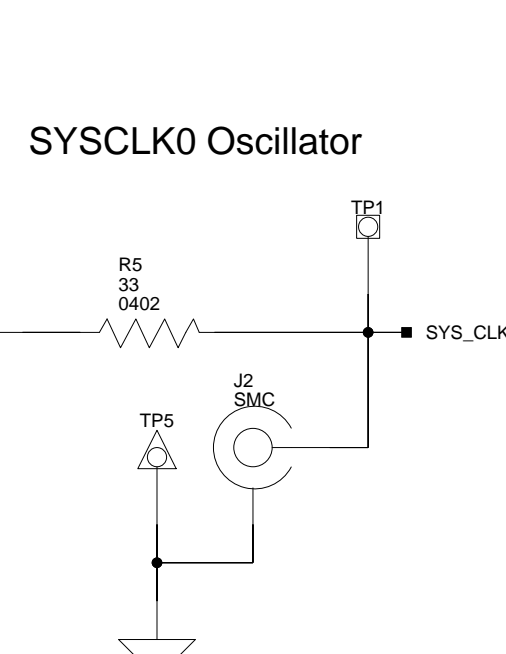
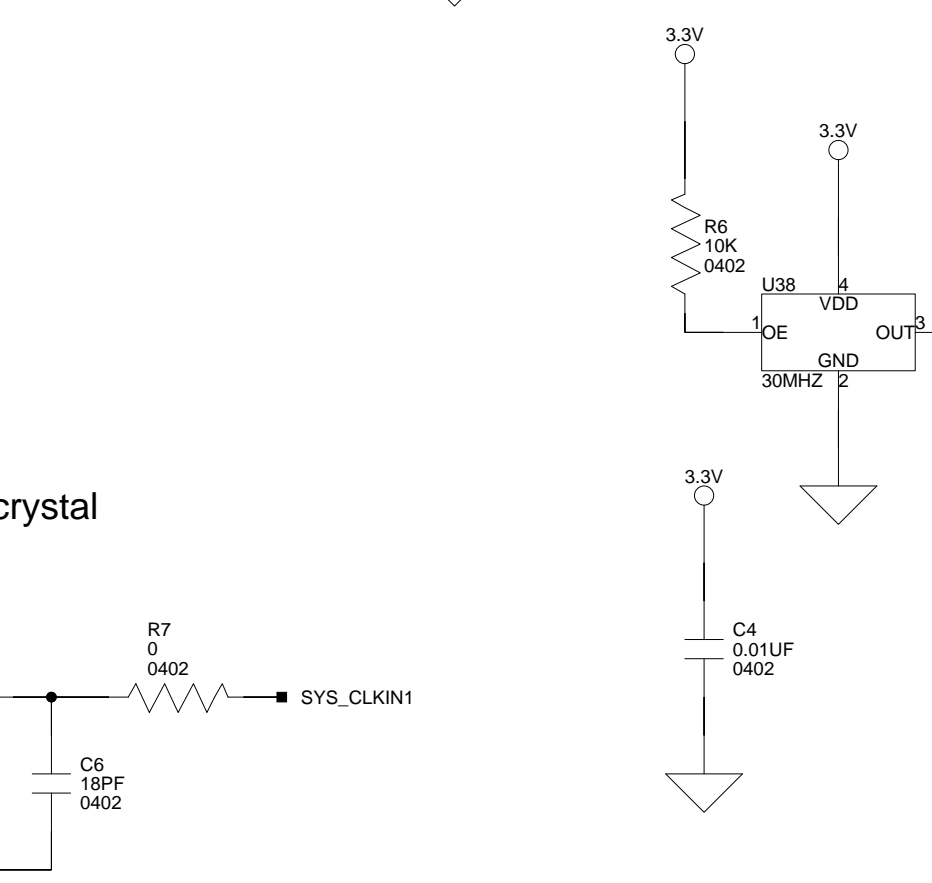
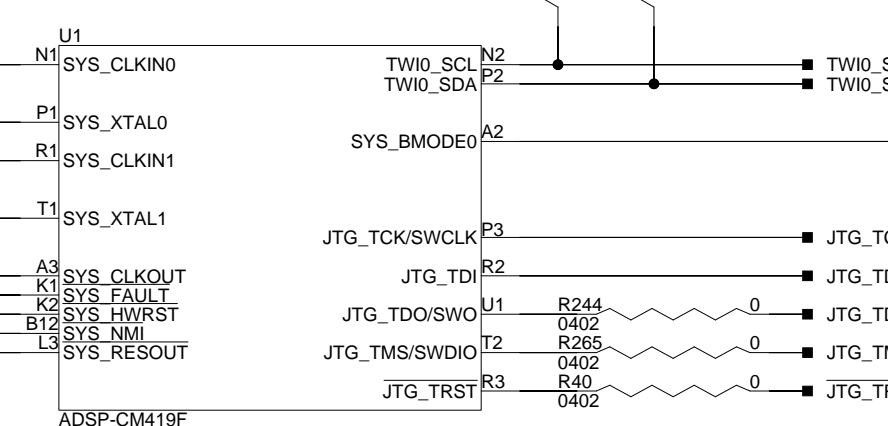
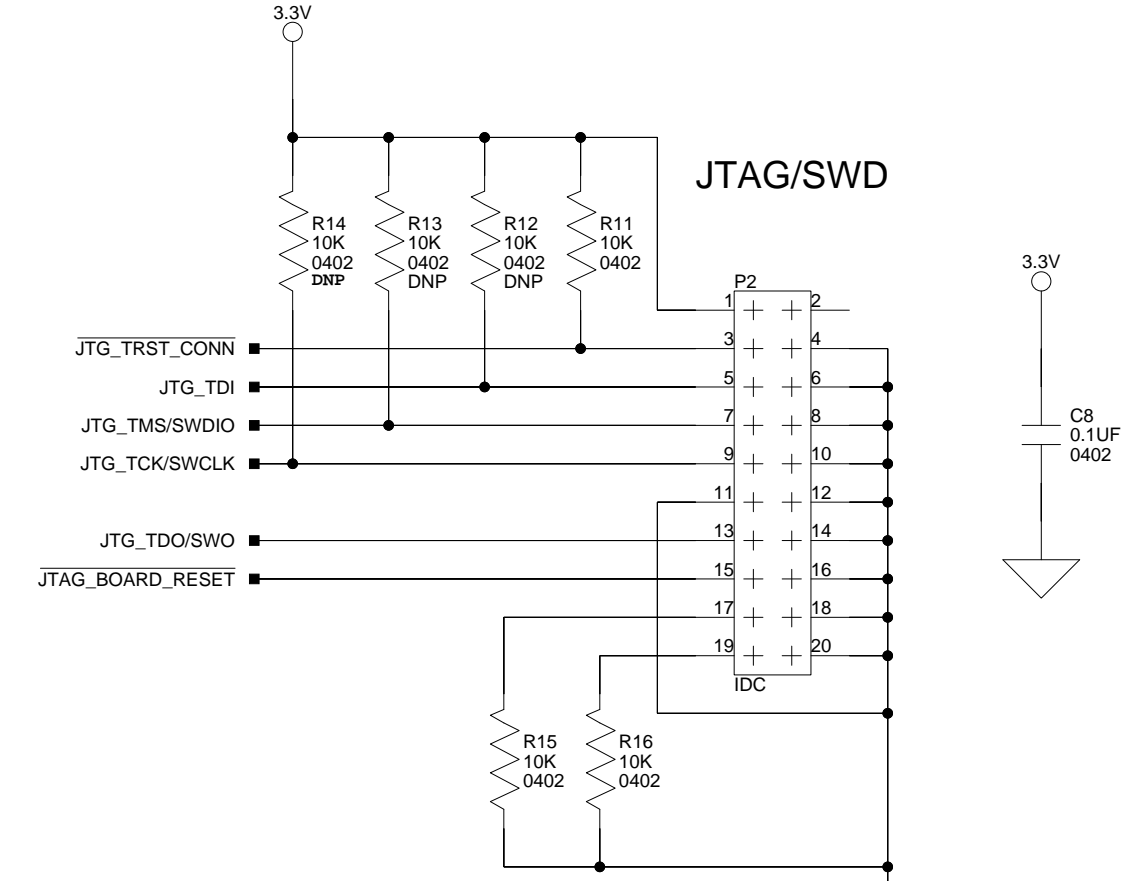
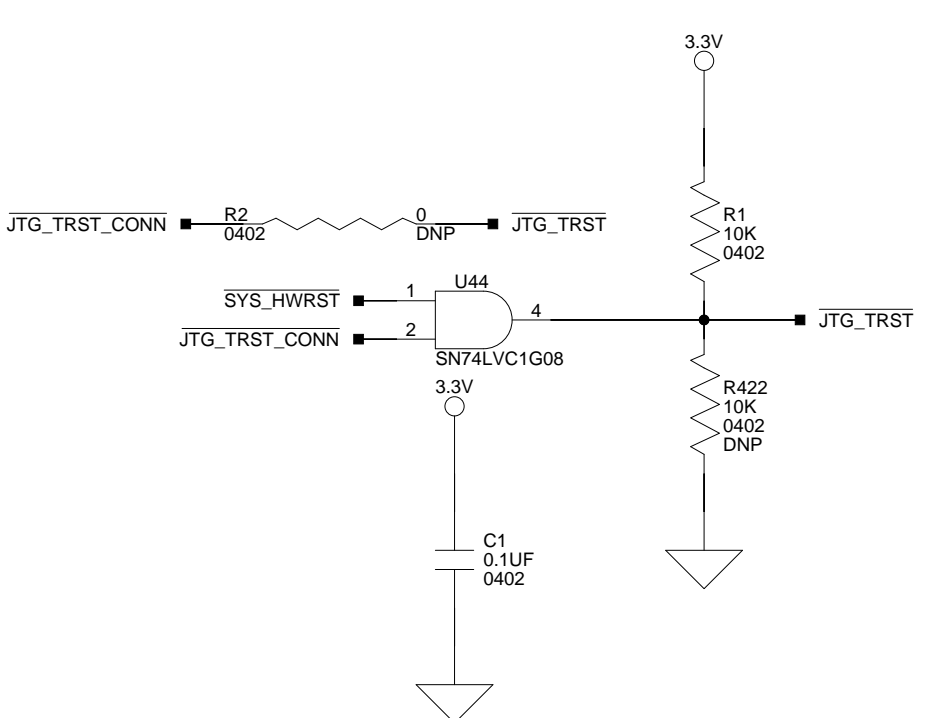
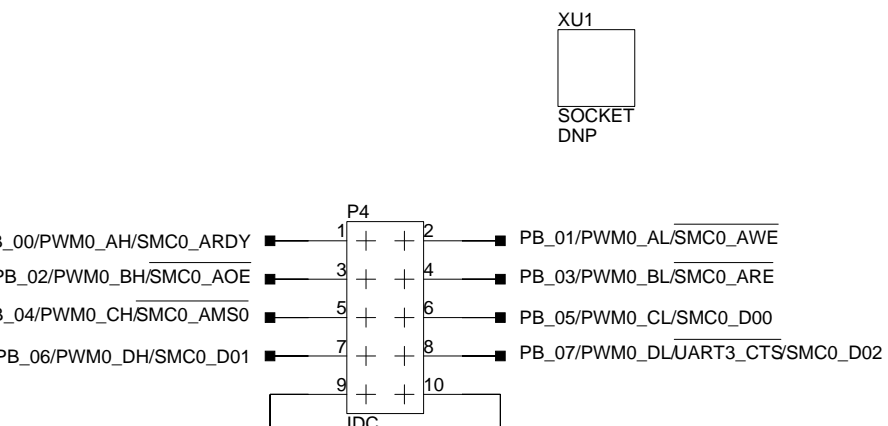
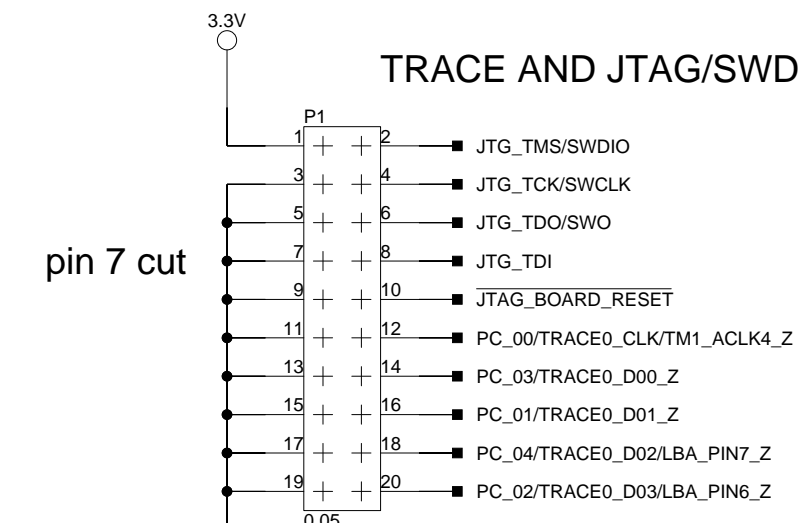
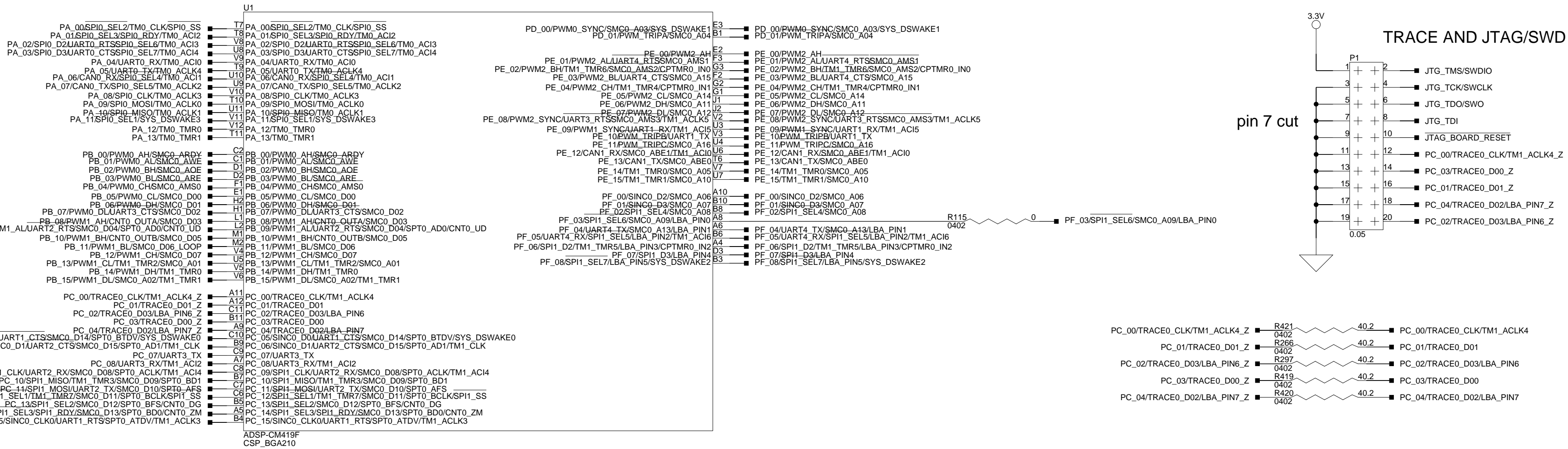


# ADSP-CM419F EZ-KIT SCHEMATIC

		<b>ANALOG DEVICES</b>		2 Elizabeth Drive Chelmsford, MA 01824 PH: 1-800-ANALOGD	
Title		ADSP-CM419F EZ-KIT Title Sheet			
Size C	Board No.	A0723-2015		Rev	1.0
Date	3/4/16	Sheet	1	of	17

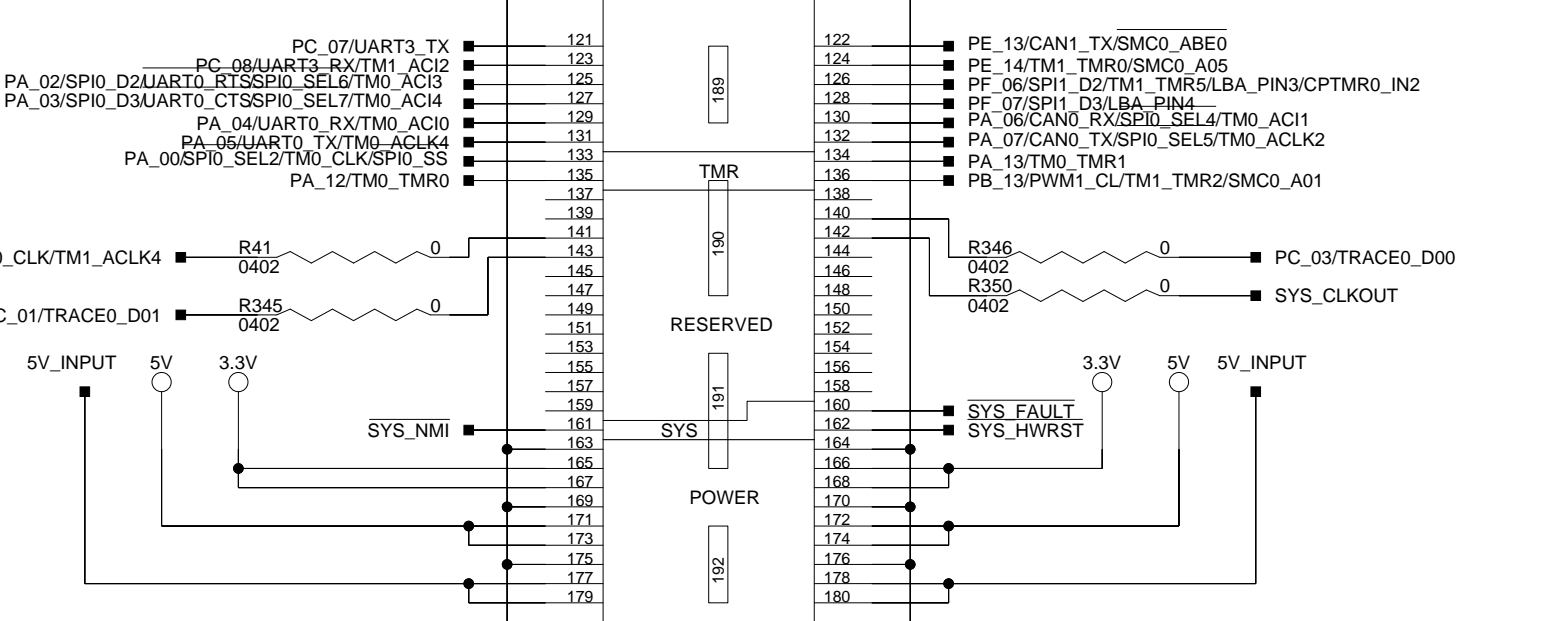
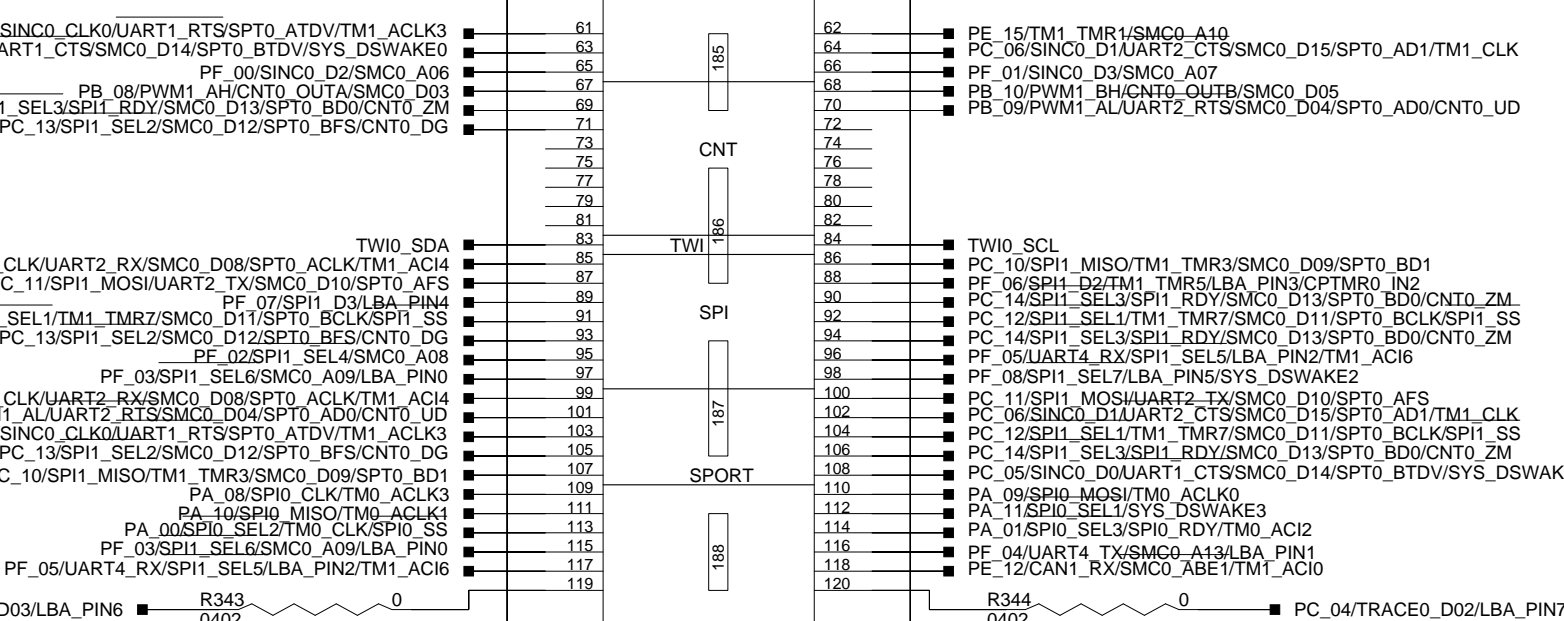
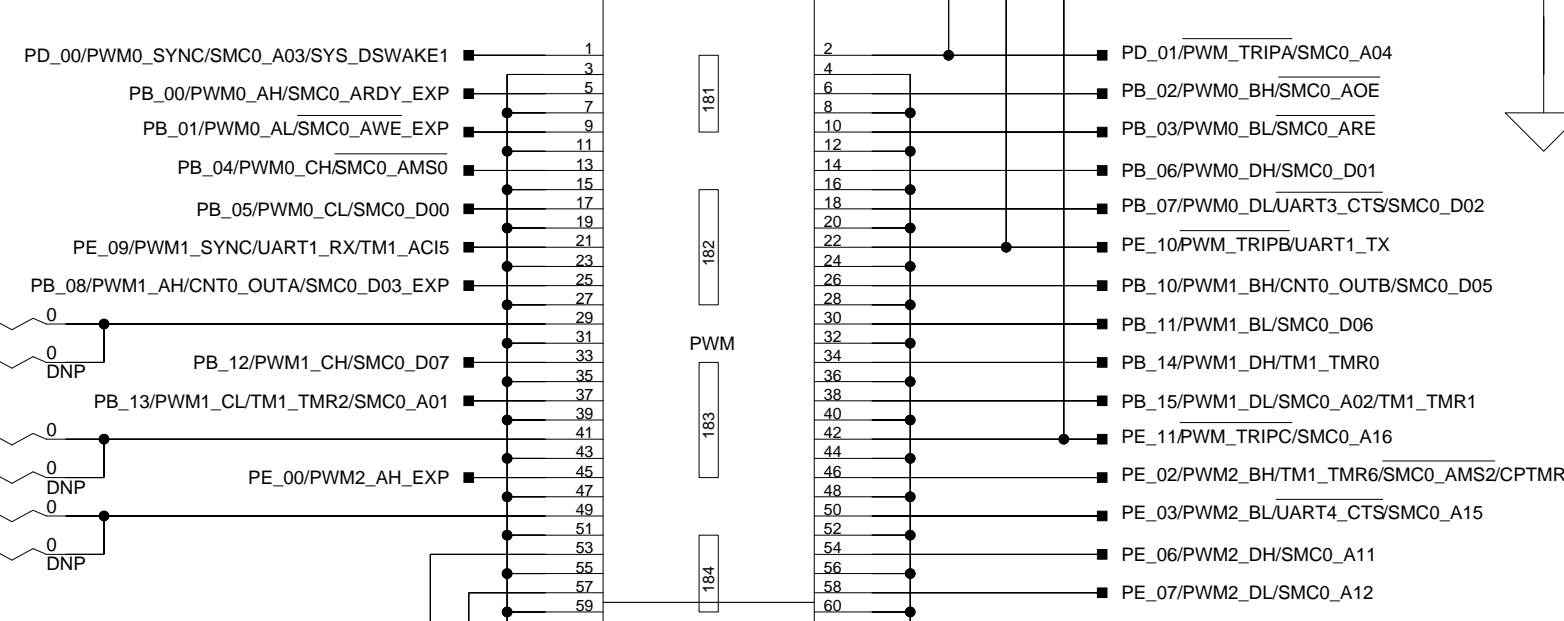
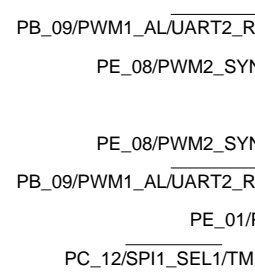
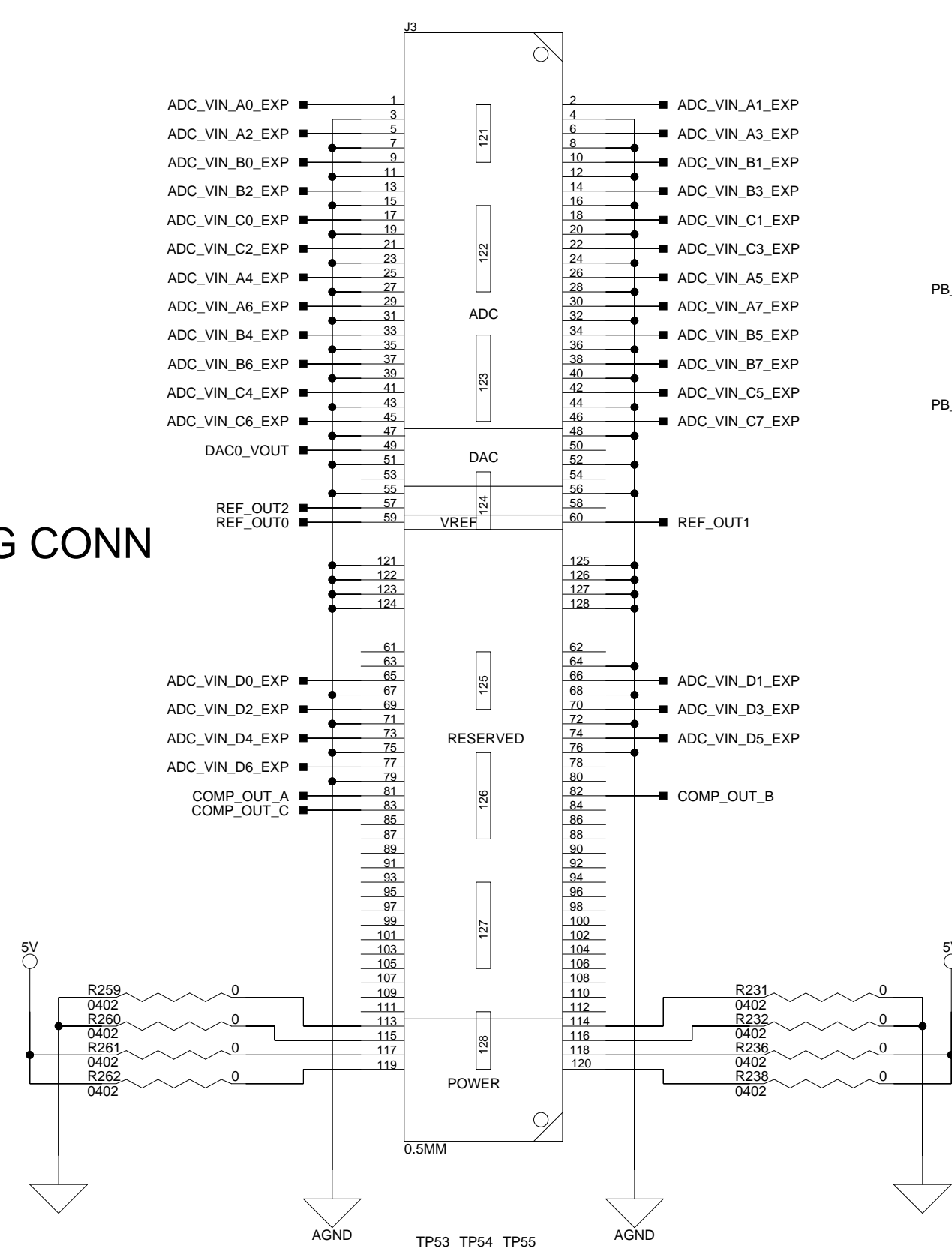


**ANALOG DEVICES**

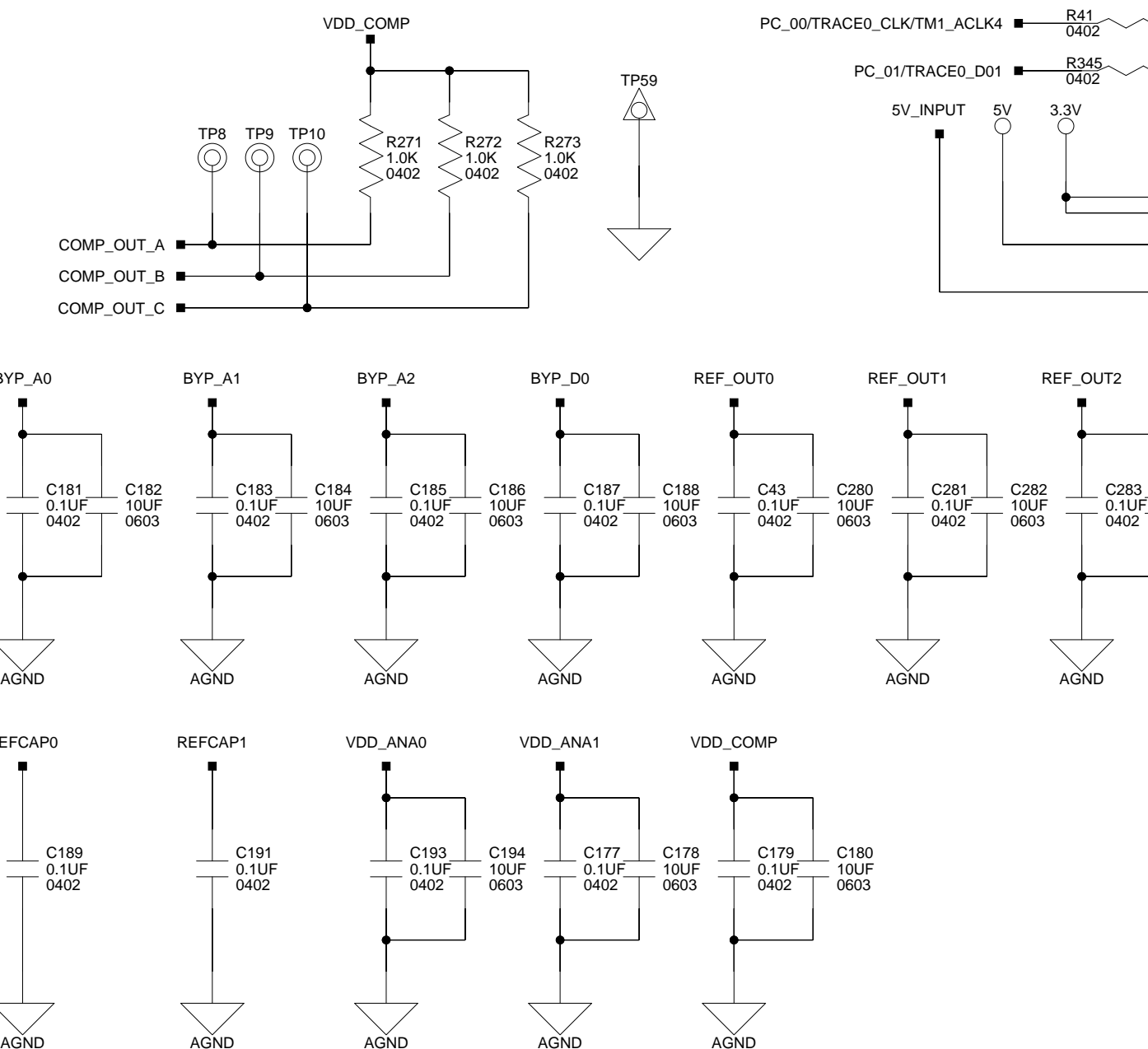
2 Elizabeth Drive  
Chelmsford, MA 01824  
PH: 1-800-ANALOGD

Title <b>ADSP-CM419F EZ-KIT Processor pins</b>			
Size C	Board No. <b>A0723-2015</b>	Rev <b>1.0</b>	
Date 3/4/16	Sheet 2 of 17		

# ANALOG CONN



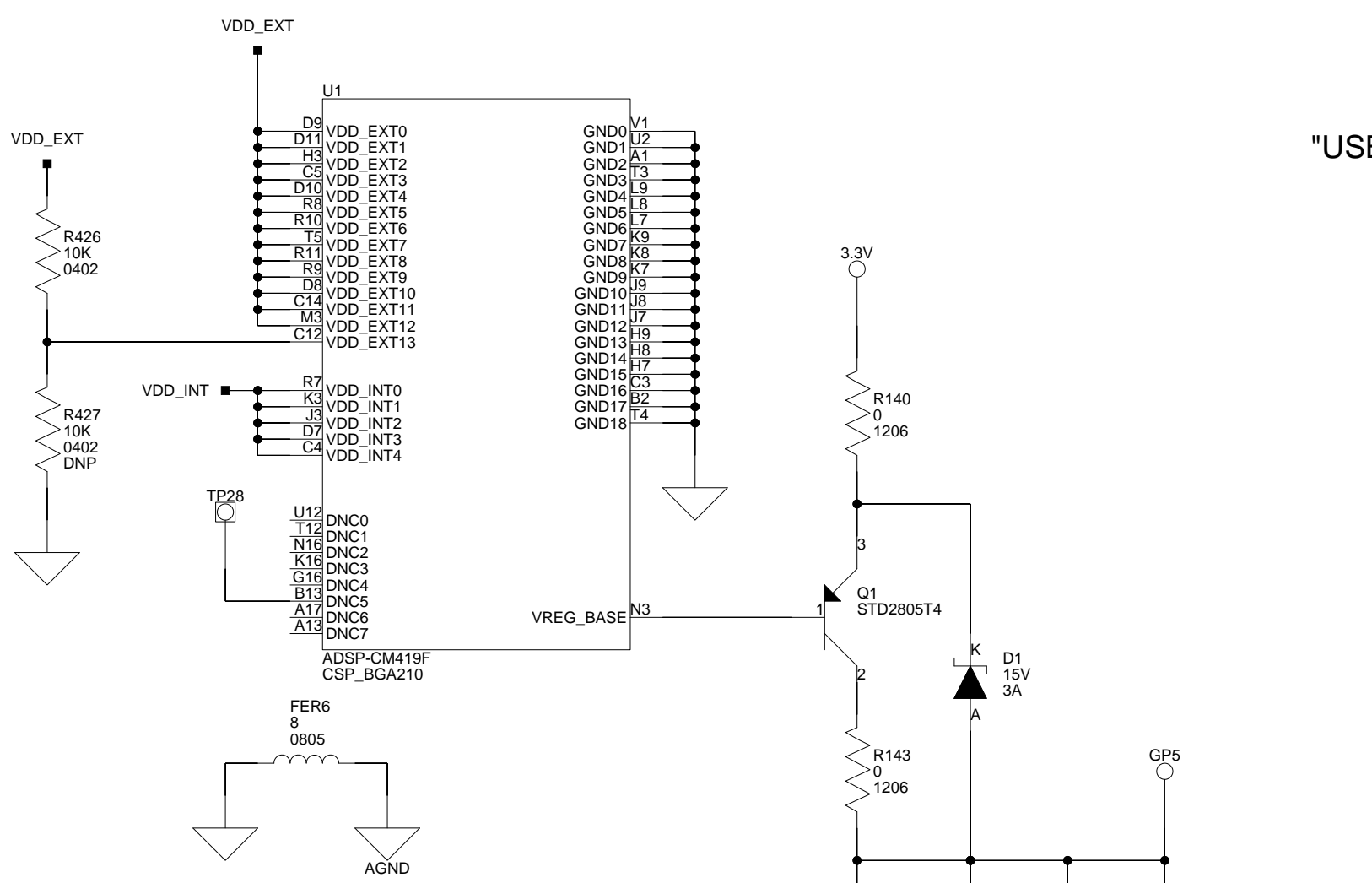
# PWM CONN



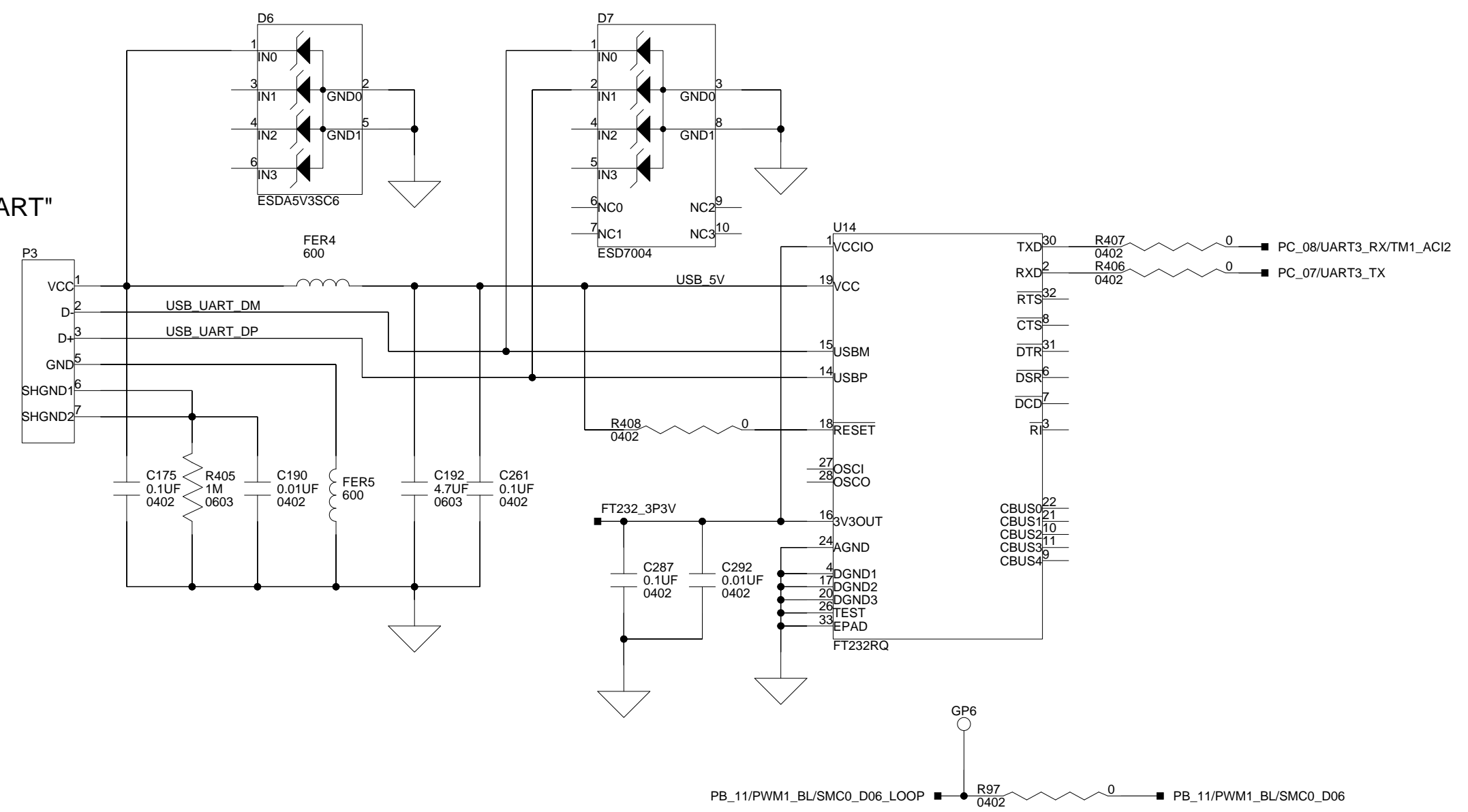
**ANALOG DEVICES**  
 2 Elizabeth Drive  
 Chelmsford, MA 01824  
 PH: 1-800-ANALOGD

Title				ADSP-CM419F EZ-KIT Analog pins expansion			
Size	Board No.					Rev	
C		A0723-2015				1.0	
Date	3/4/16			Sheet	3	of	17

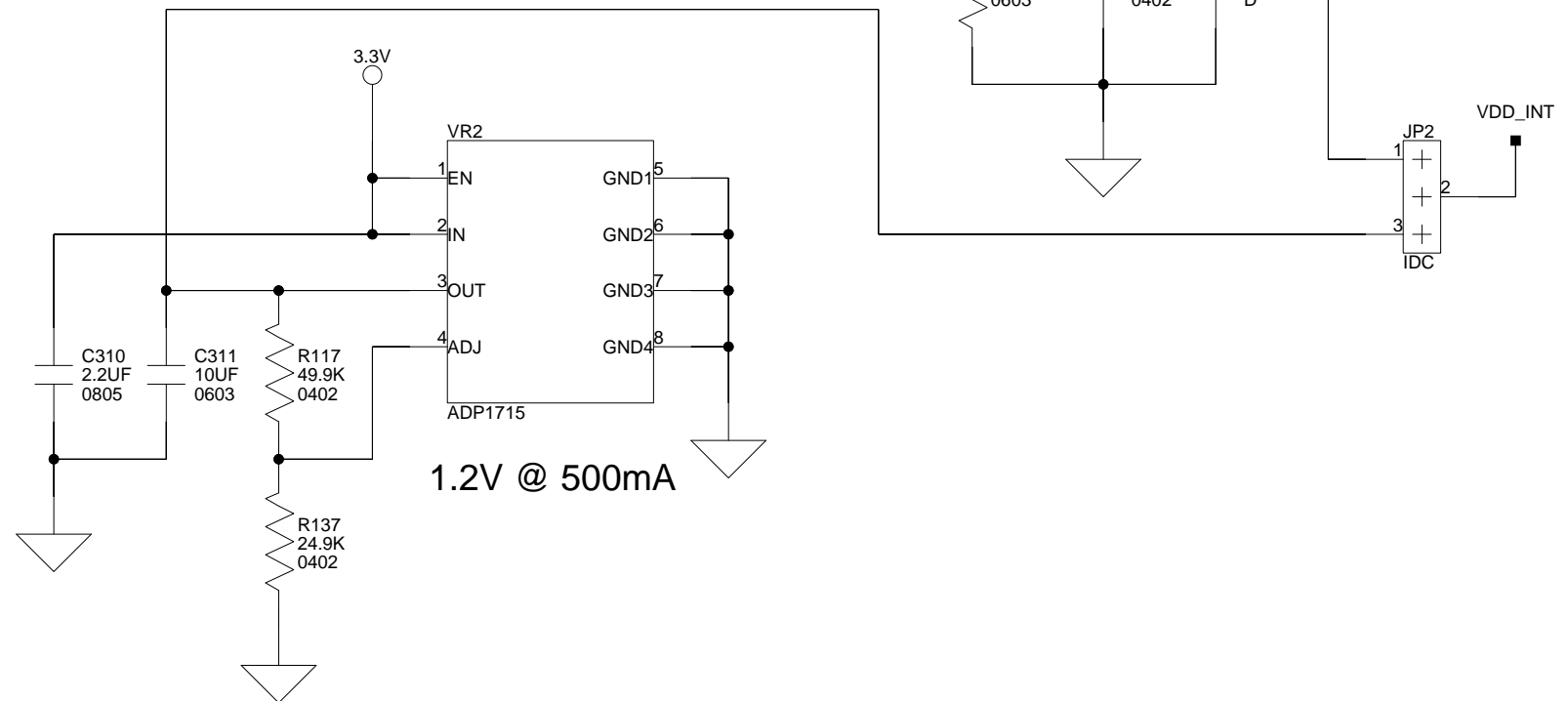
CUSTOMER DESIGN SHOULD CONNECT C12 DIRECTLY TO VDD\_EXT



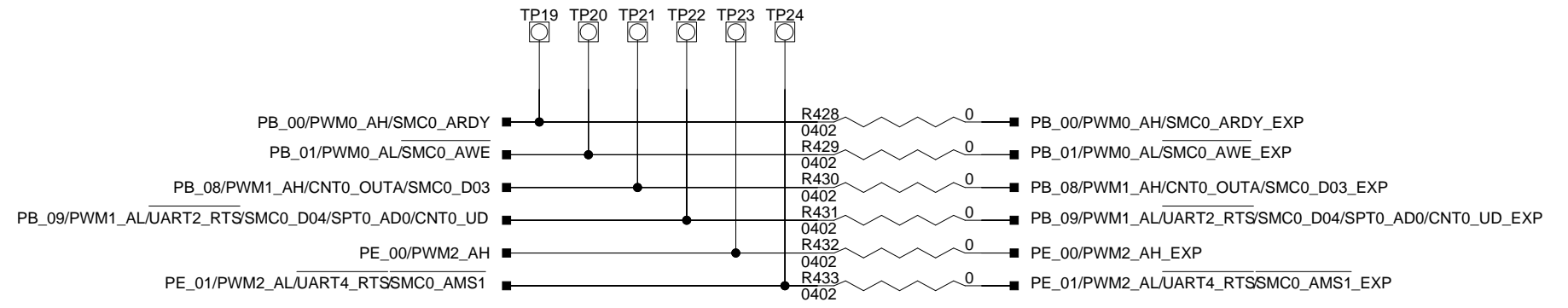
"USB to UART"



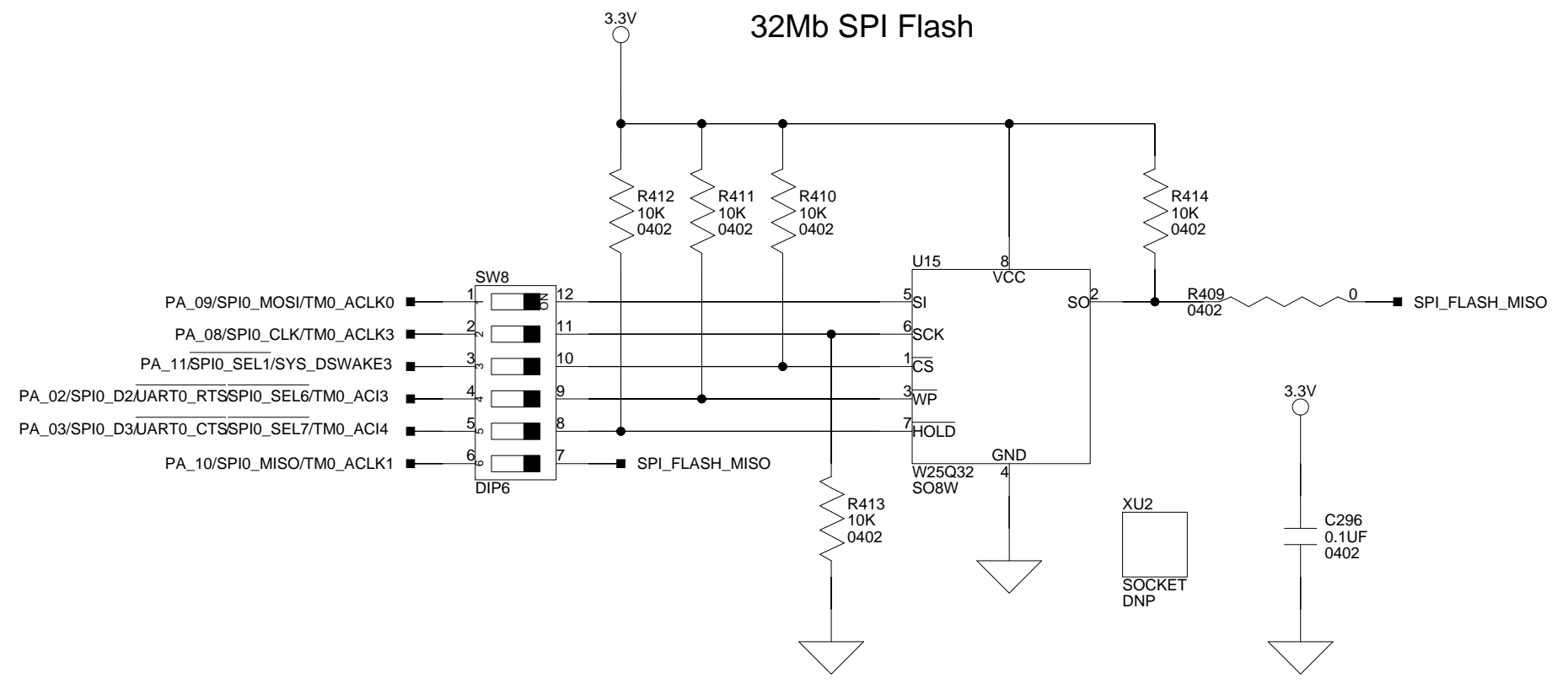
Place on bottom side of PCB directly under U1



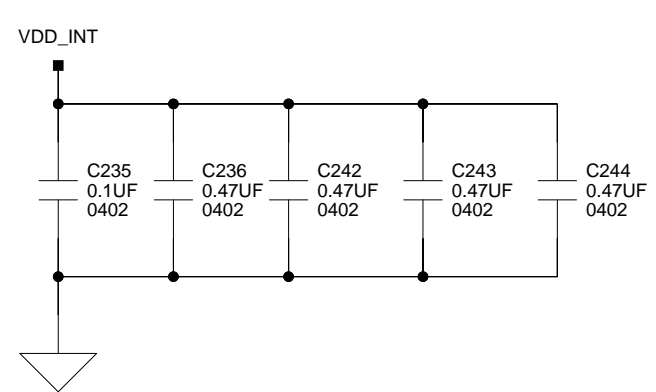
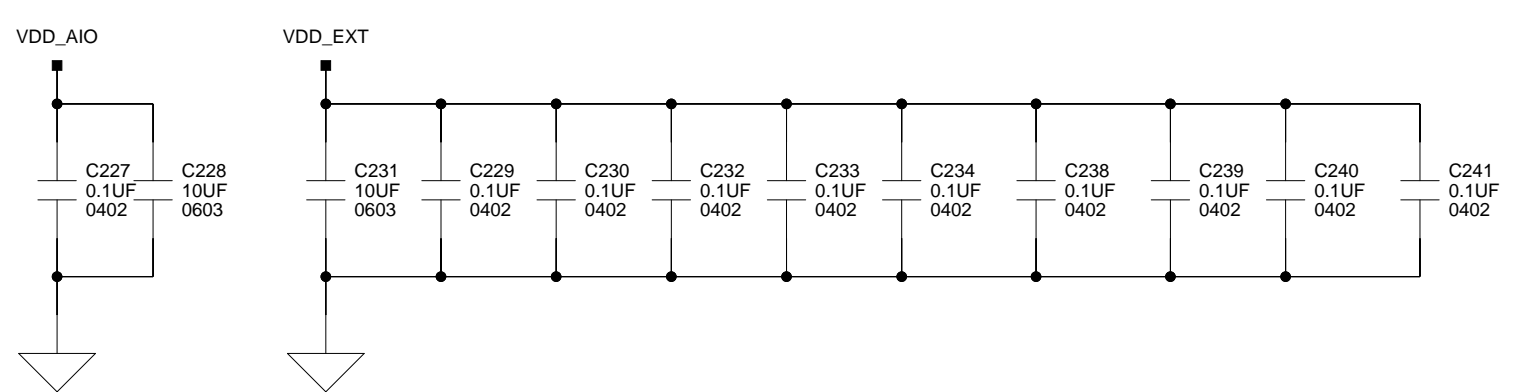
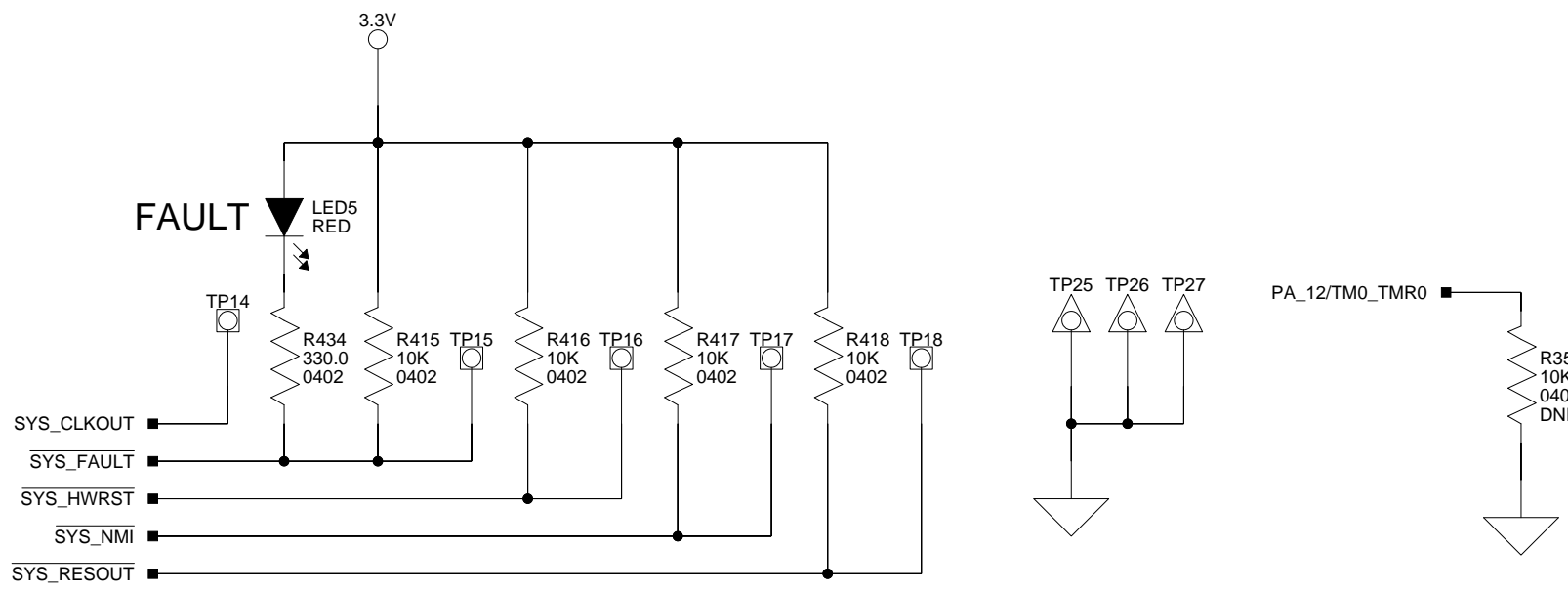
1.2V @ 500mA



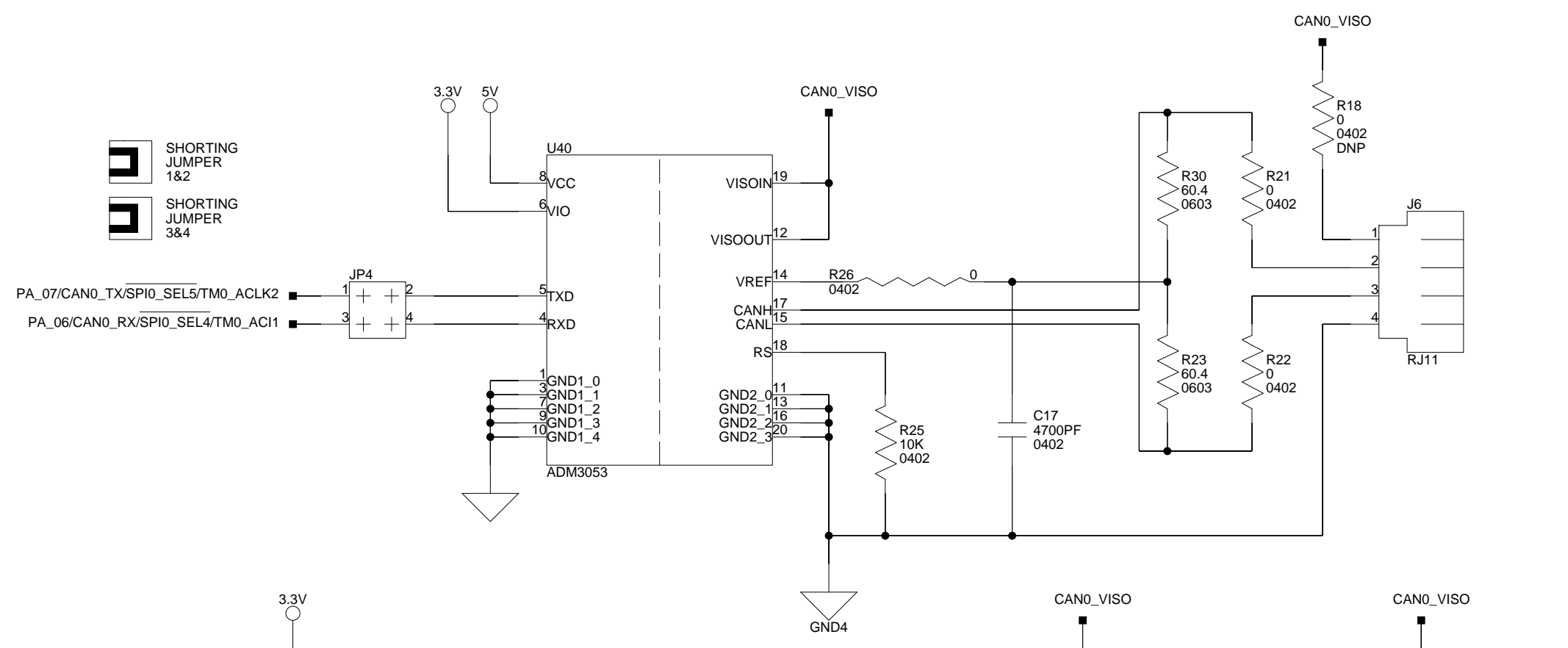
32Mb SPI Flash



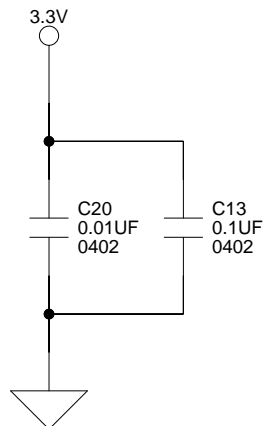
FAULT



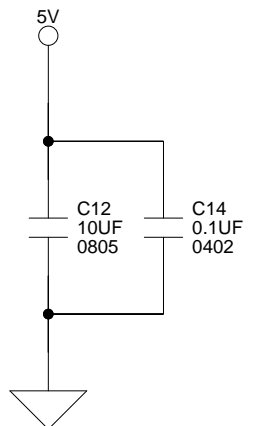
		2 Elizabeth Drive Chelmsford, MA 01824 PH: 1-800-ANALOGD	
		Title <b>ADSP-CM419F EZ-KIT</b> Power pins, SPI flash	
Size C	Board No. A0723-2015	Rev 1.0	
Date 3/4/16	Sheet 4 of 17		



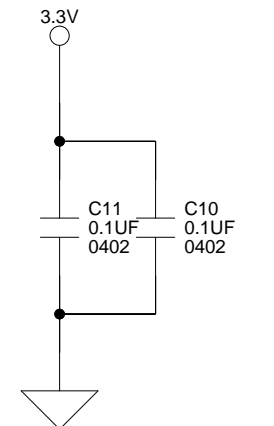
### CAN0



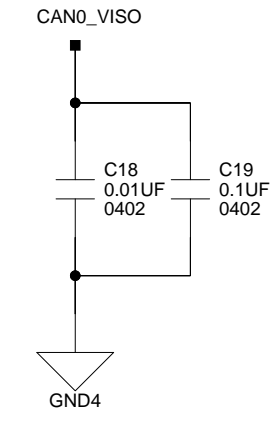
Place between pins 6 and 7



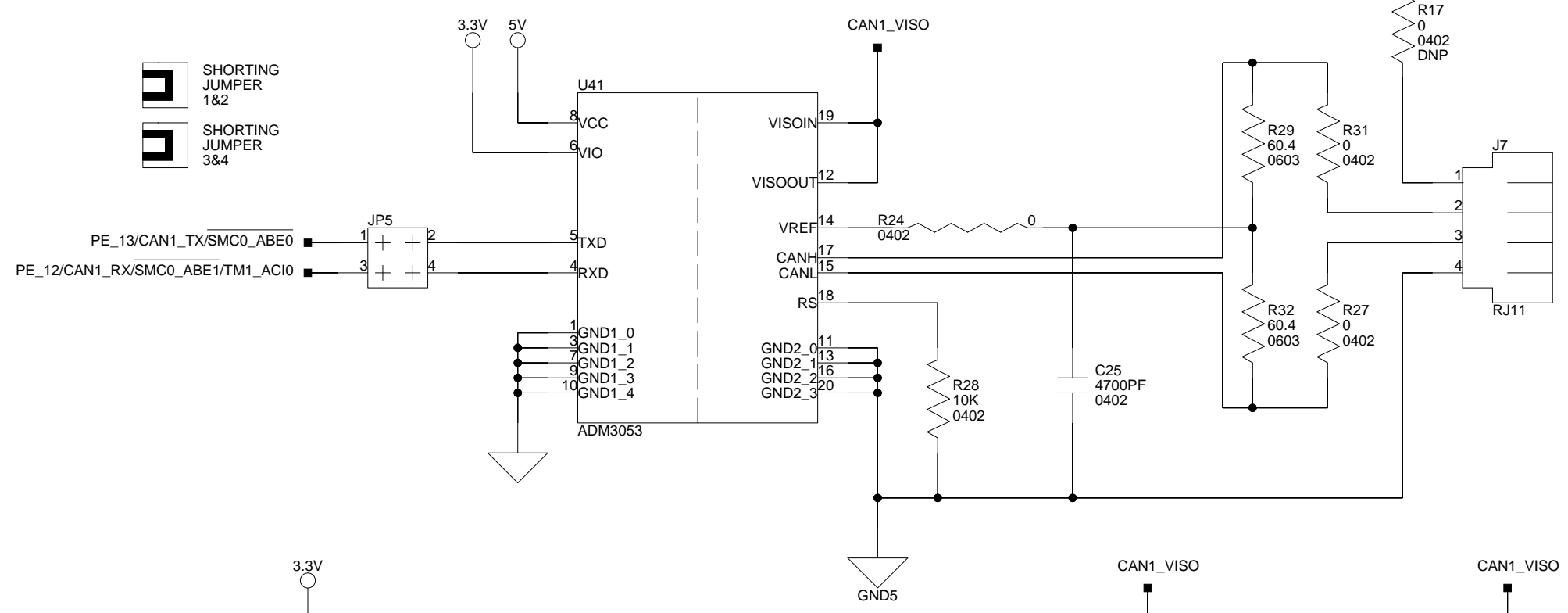
Place between pins 8 and 9



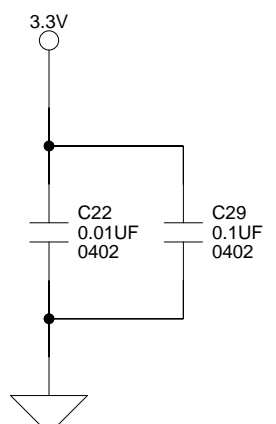
Place between pins 11 and 12



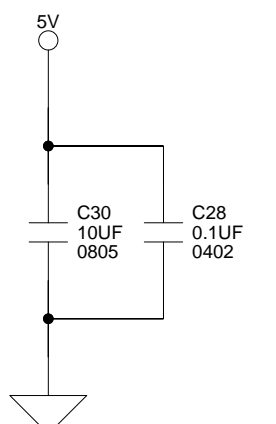
Place between pins 19 and 20



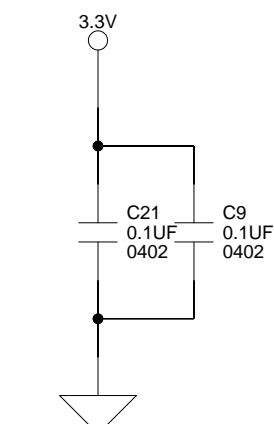
### CAN1



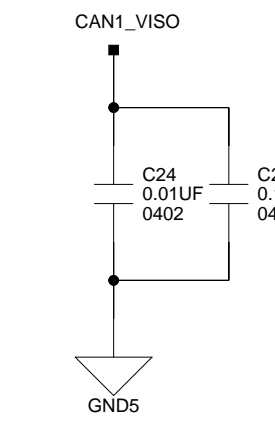
Place between pins 6 and 7



Place between pins 8 and 9

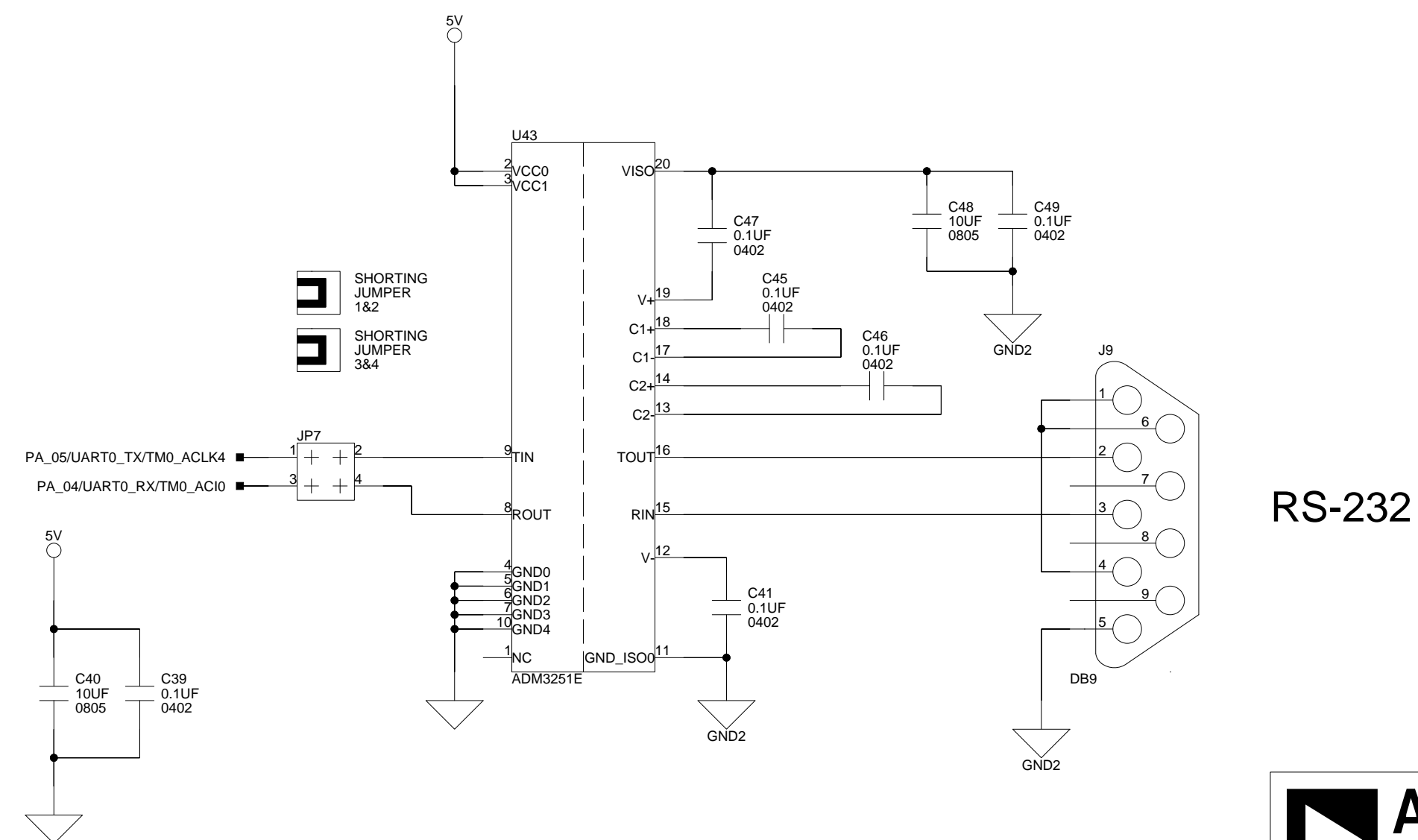
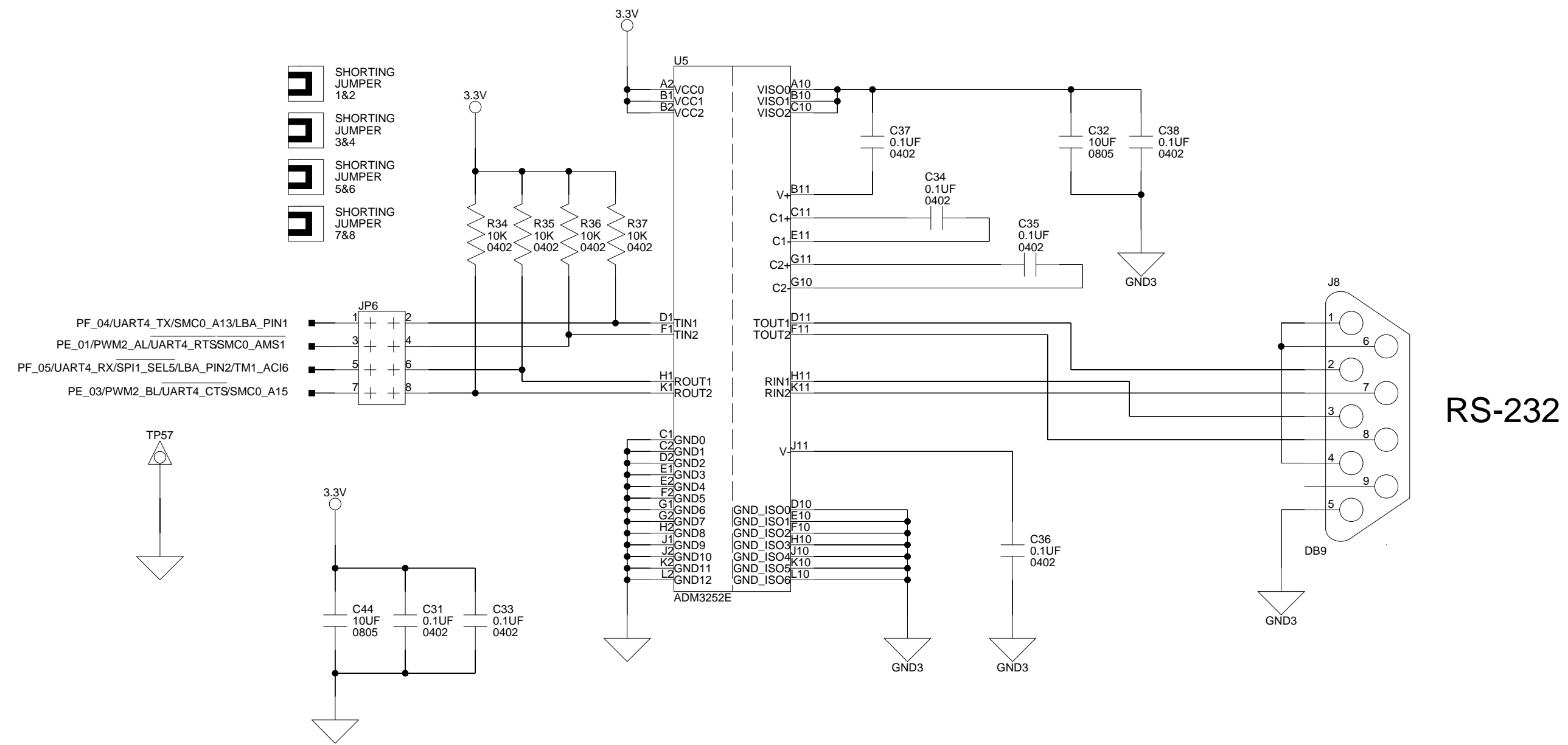



Place between pins 11 and 12

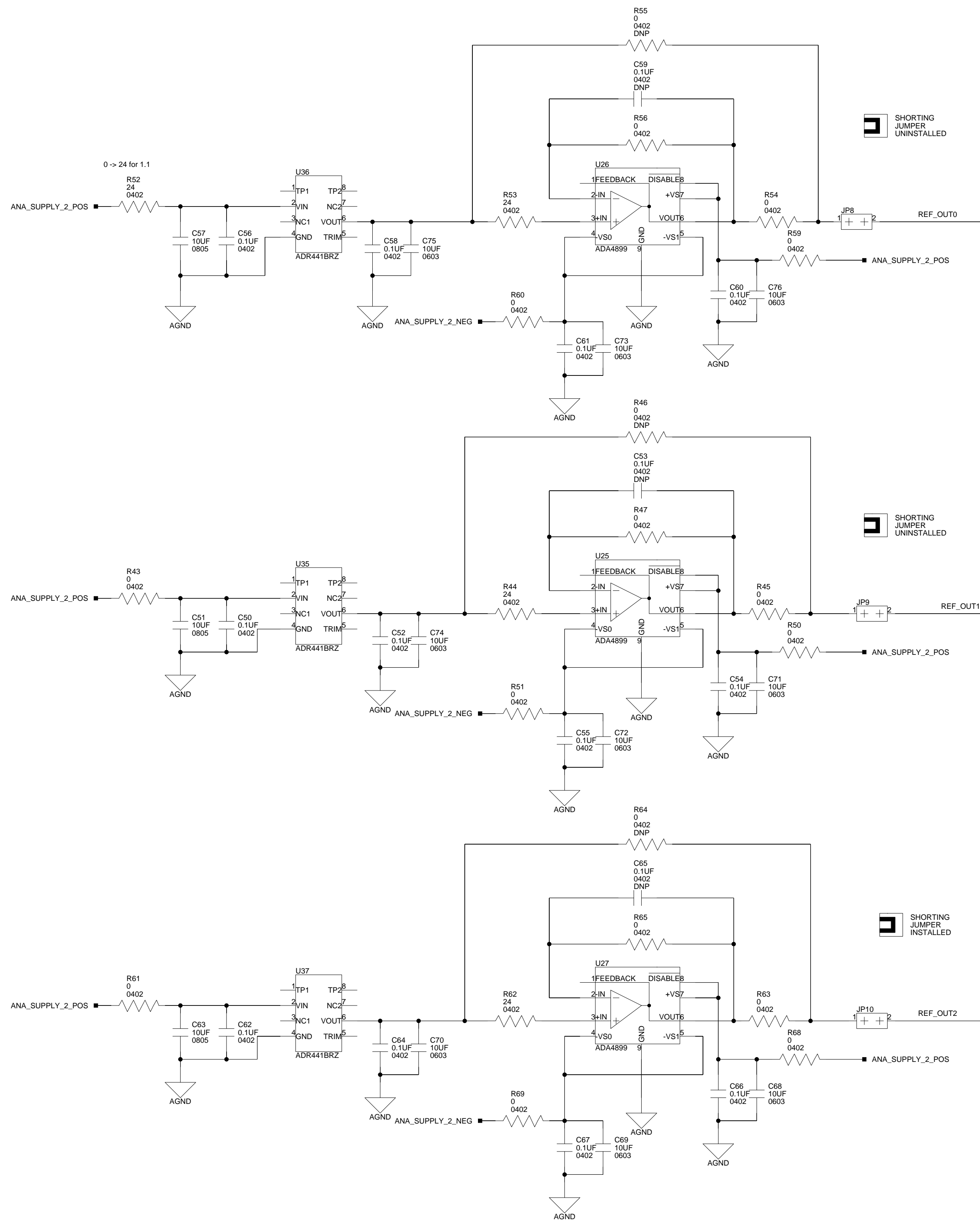



Place between pins 19 and 20

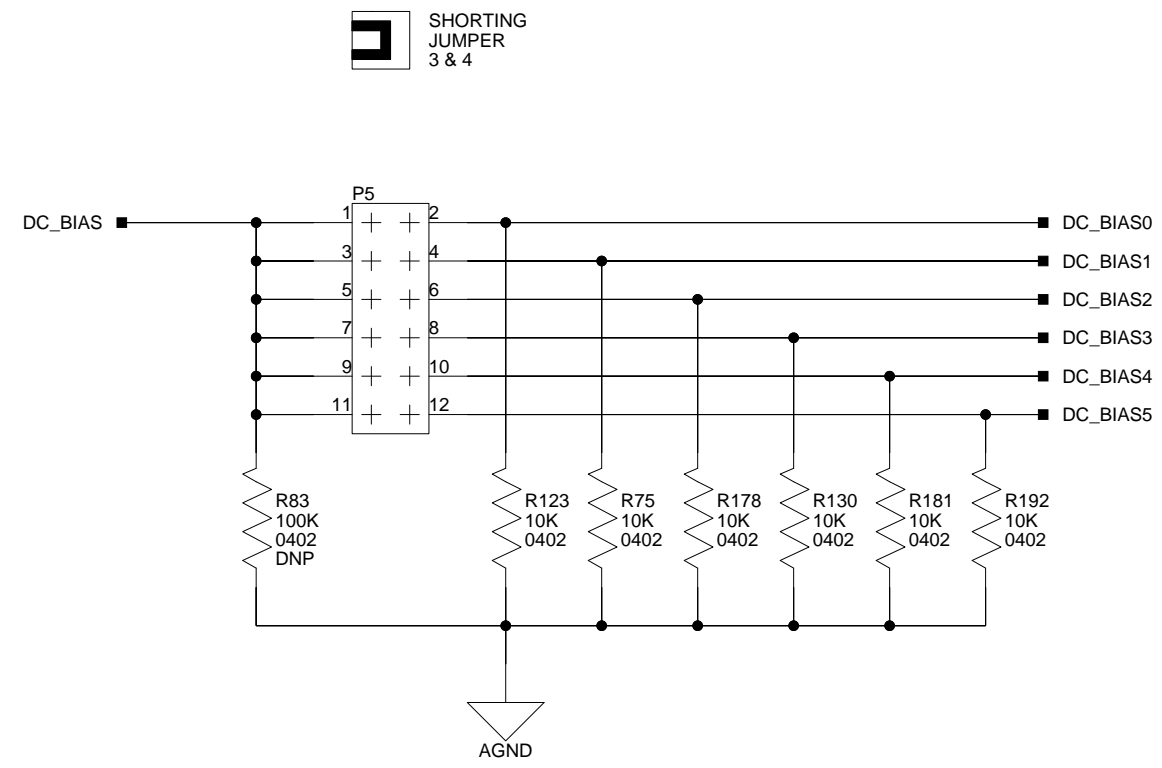
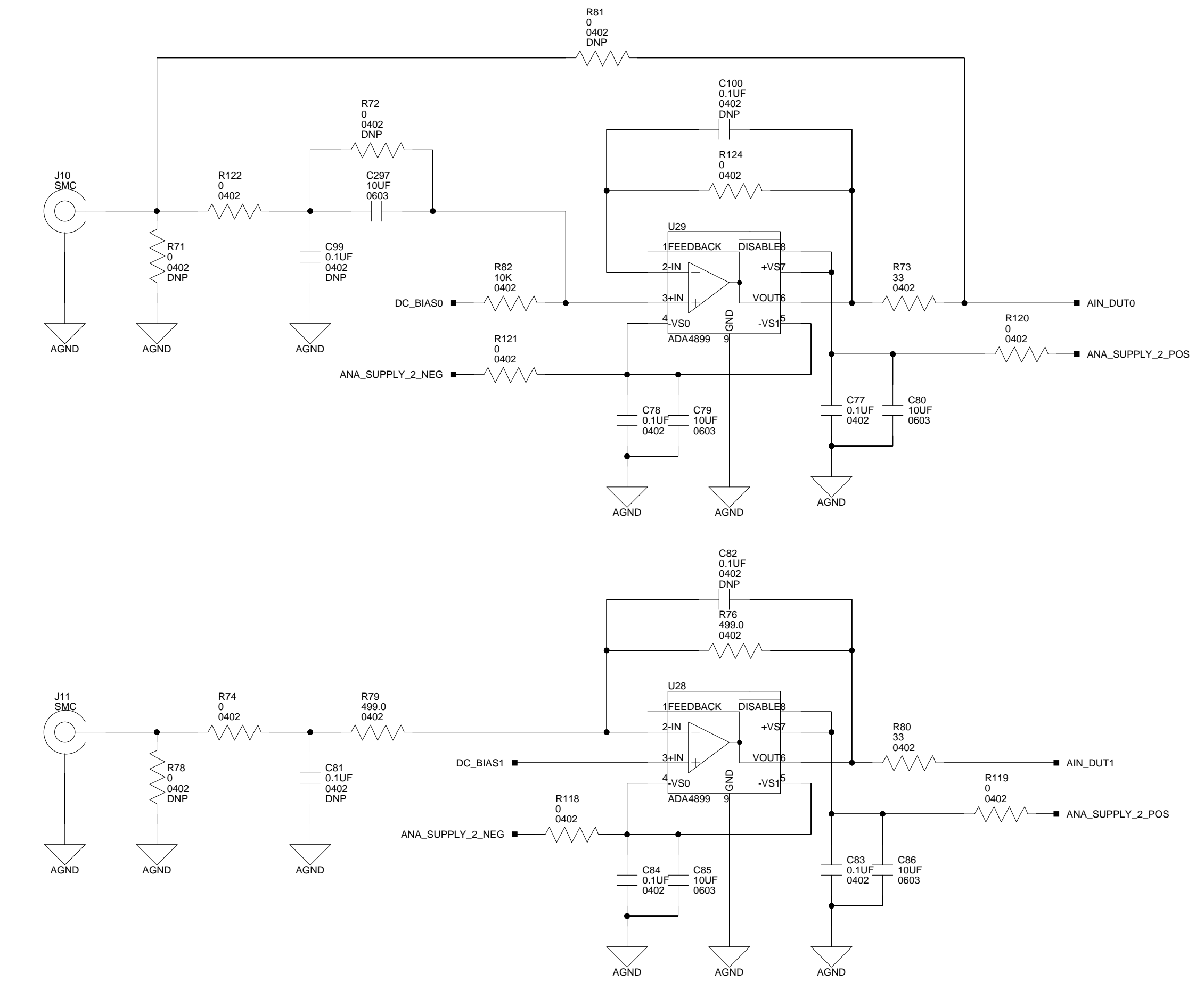
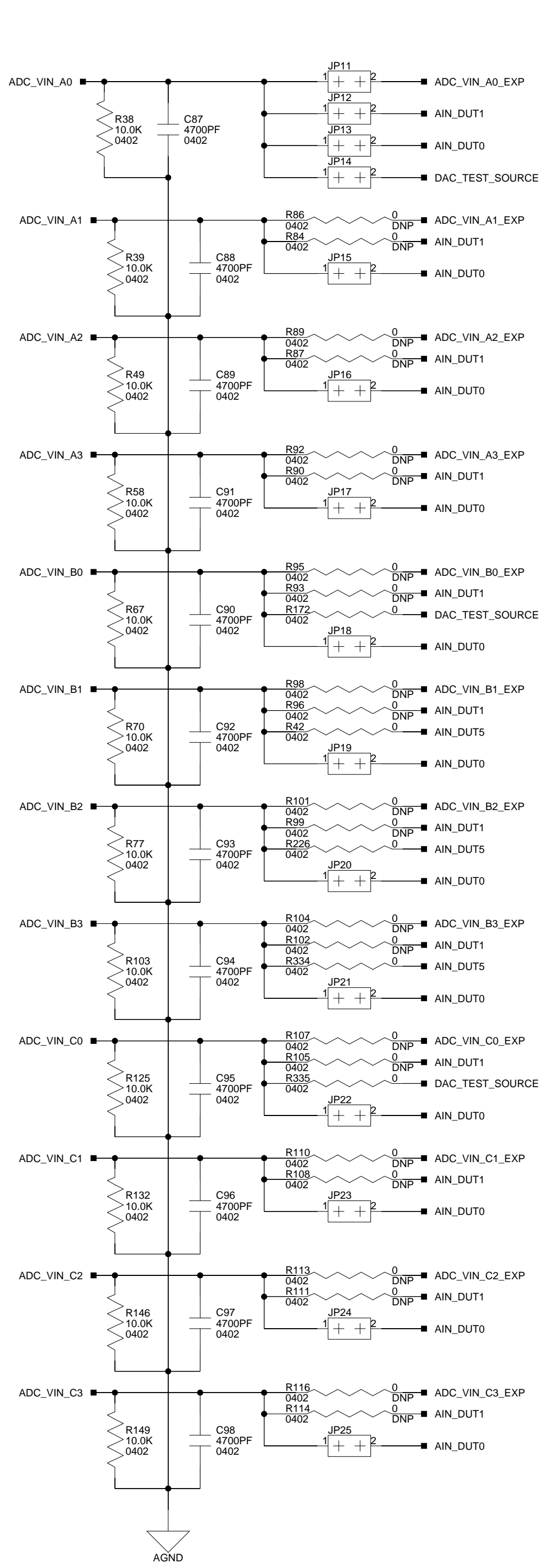
		2 Elizabeth Drive Chelmsford, MA 01824 PH: 1-800-ANALOGD	
		<b>Title</b> ADSP-CM419F EZ-KIT CANs	
<b>Size</b> C	<b>Board No.</b> A0723-2015	<b>Rev</b> 1.0	
<b>Date</b> 3/4/16	<b>Sheet</b> 5 of 17		



		2 Elizabeth Drive Chelmsford, MA 01824 PH: 1-800-ANALOGD	
		Title <b>ADSP-CM419F EZ-KIT RS-232</b>	
Size C	Board No. <b>A0723-2015</b>	Rev <b>1.0</b>	
Date 3/4/16	Sheet 6	of 17	



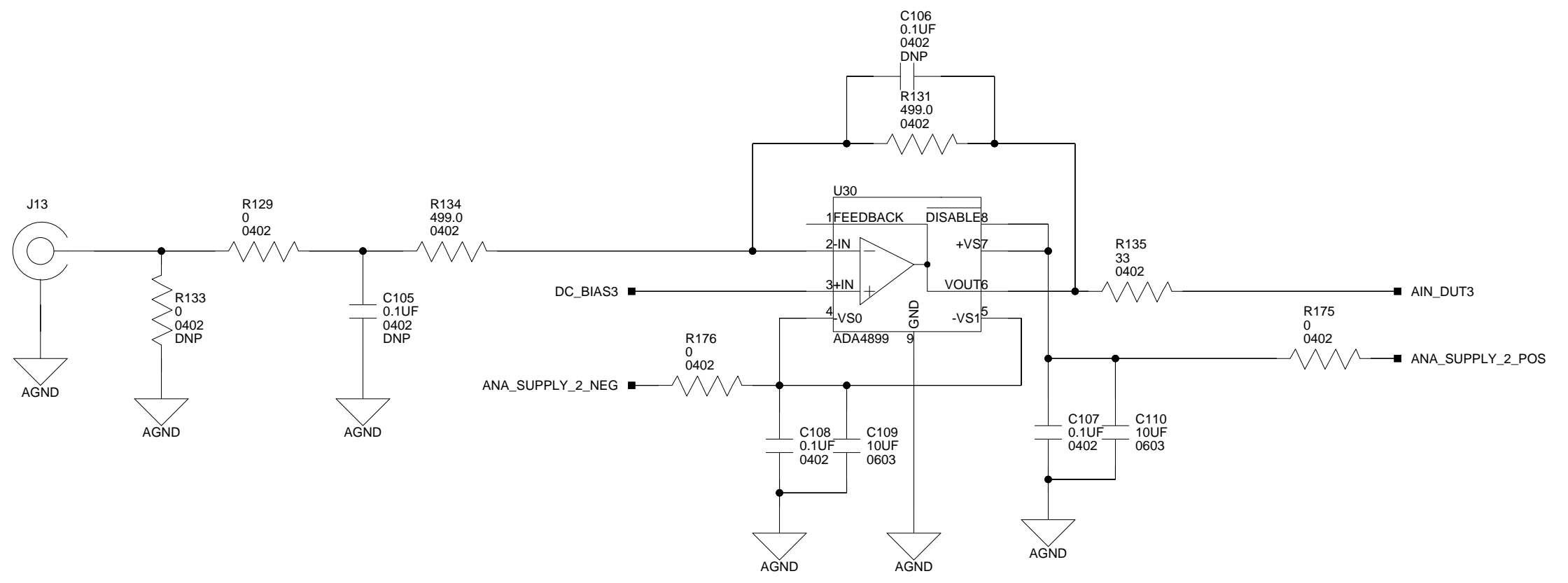
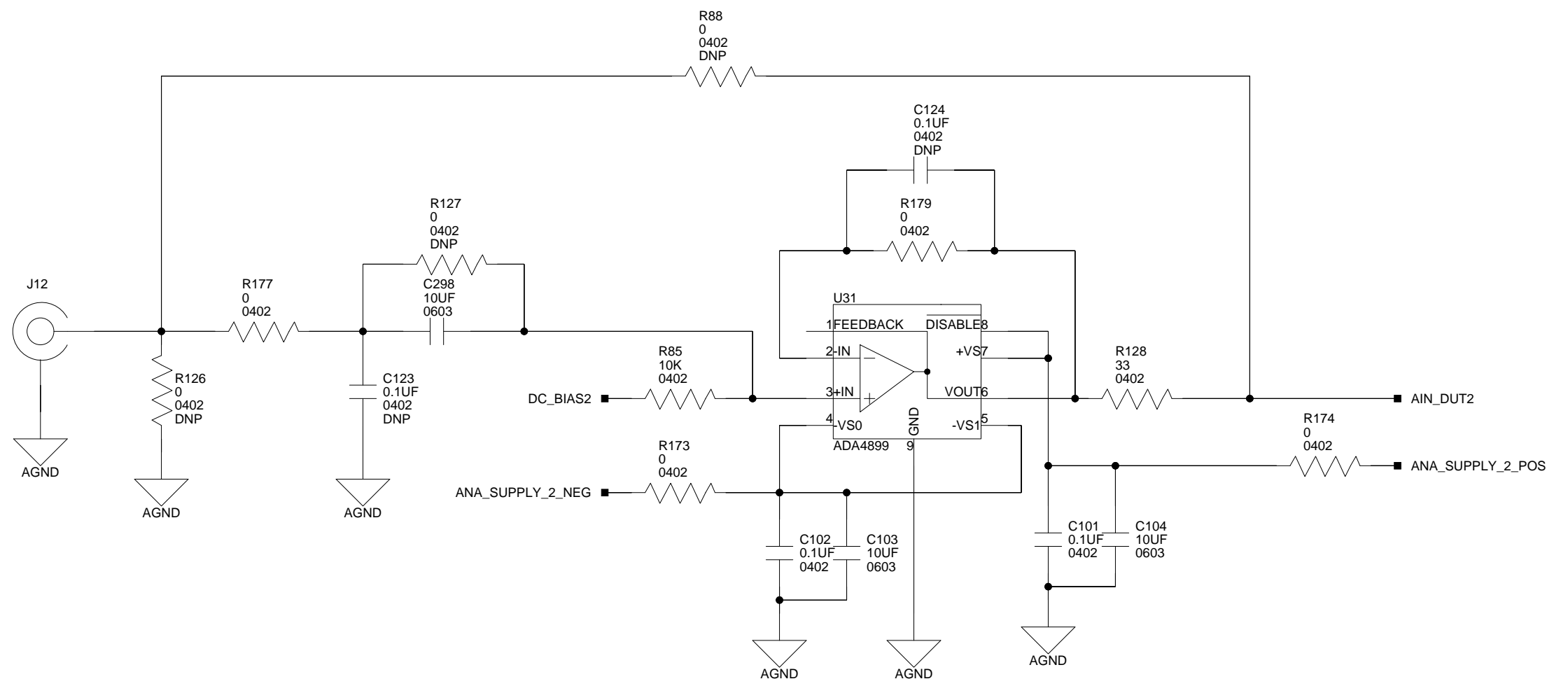
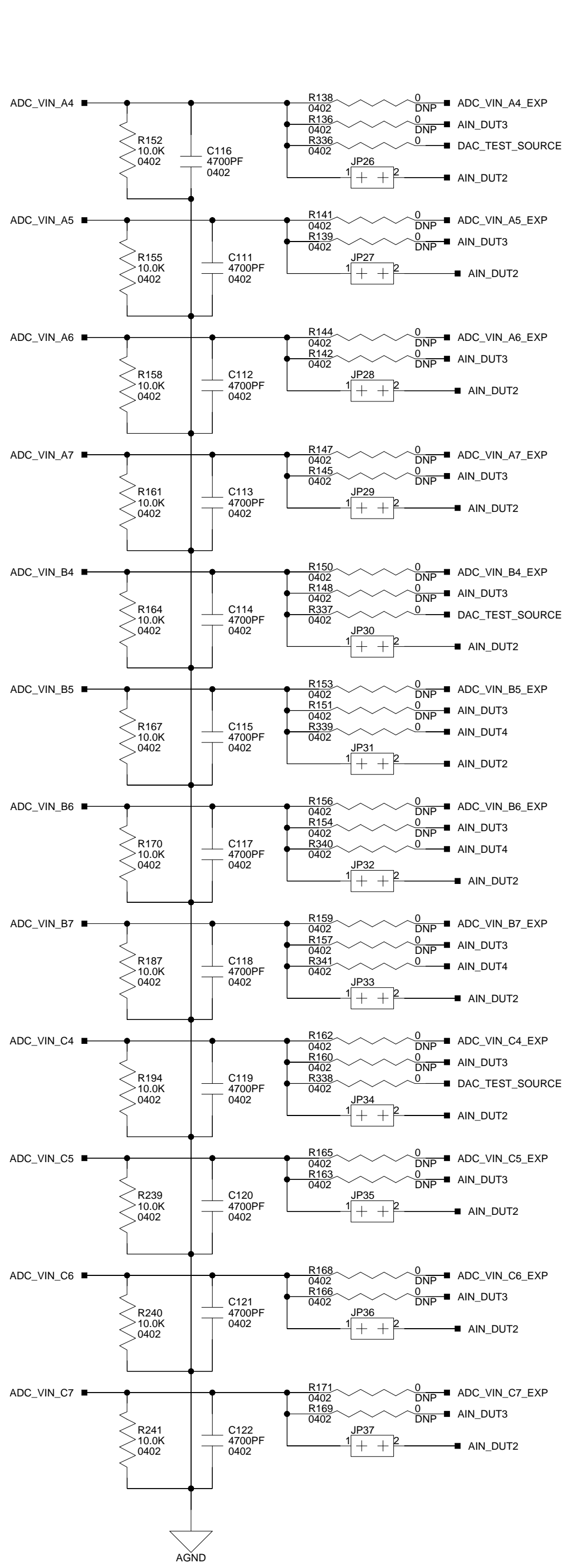
		2 Elizabeth Drive Chelmsford, MA 01824 PH: 1-800-ANALOGD	
		<b>Title</b> ADSP-CM419F EZ-KIT ADC reference	
<b>Size</b> C	<b>Board No.</b> A0723-2015	<b>Rev</b> 1.0	
<b>Date</b> 3/4/16	<b>Sheet</b> 7 of 17		




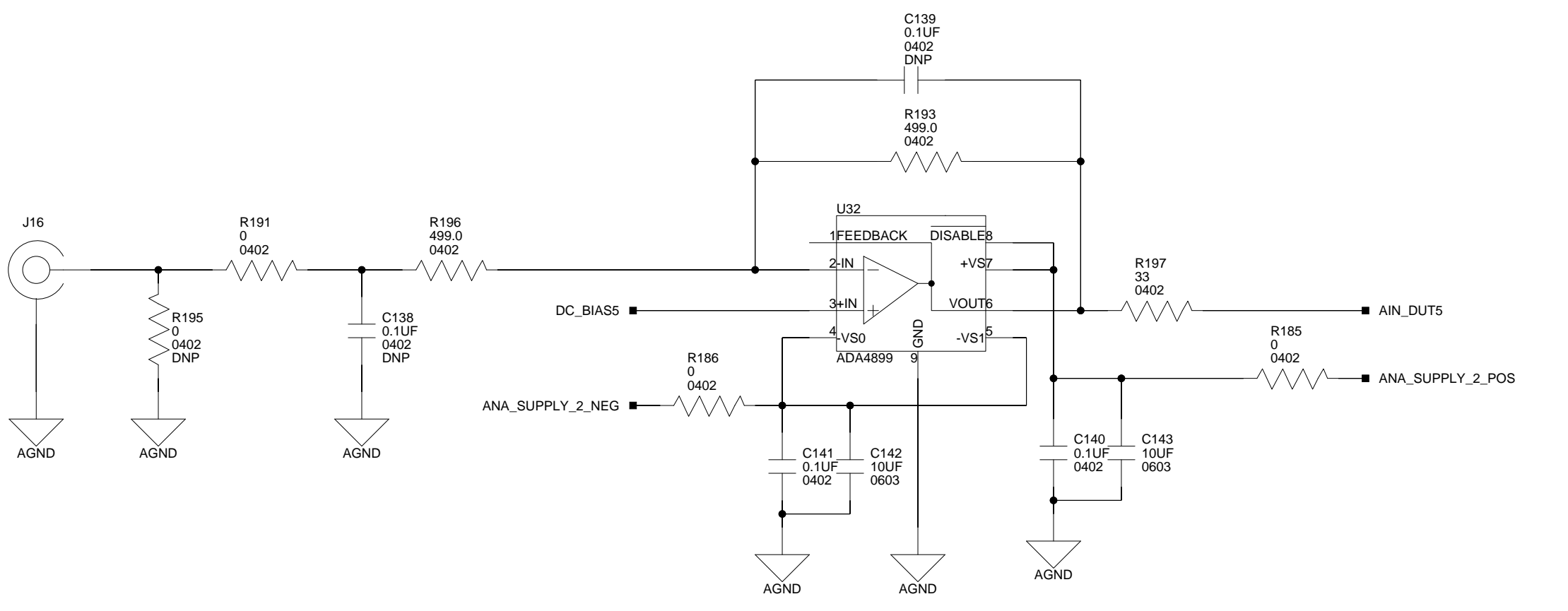
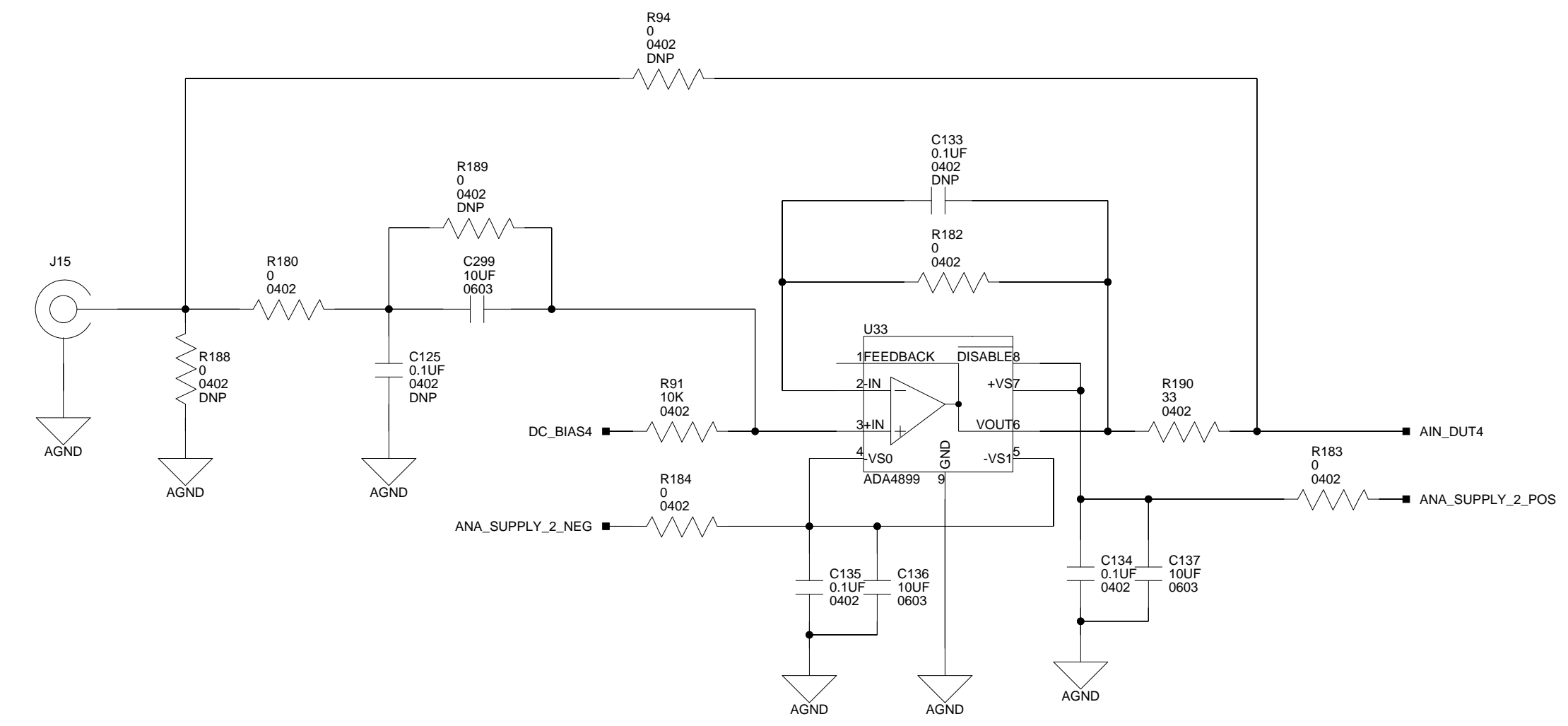
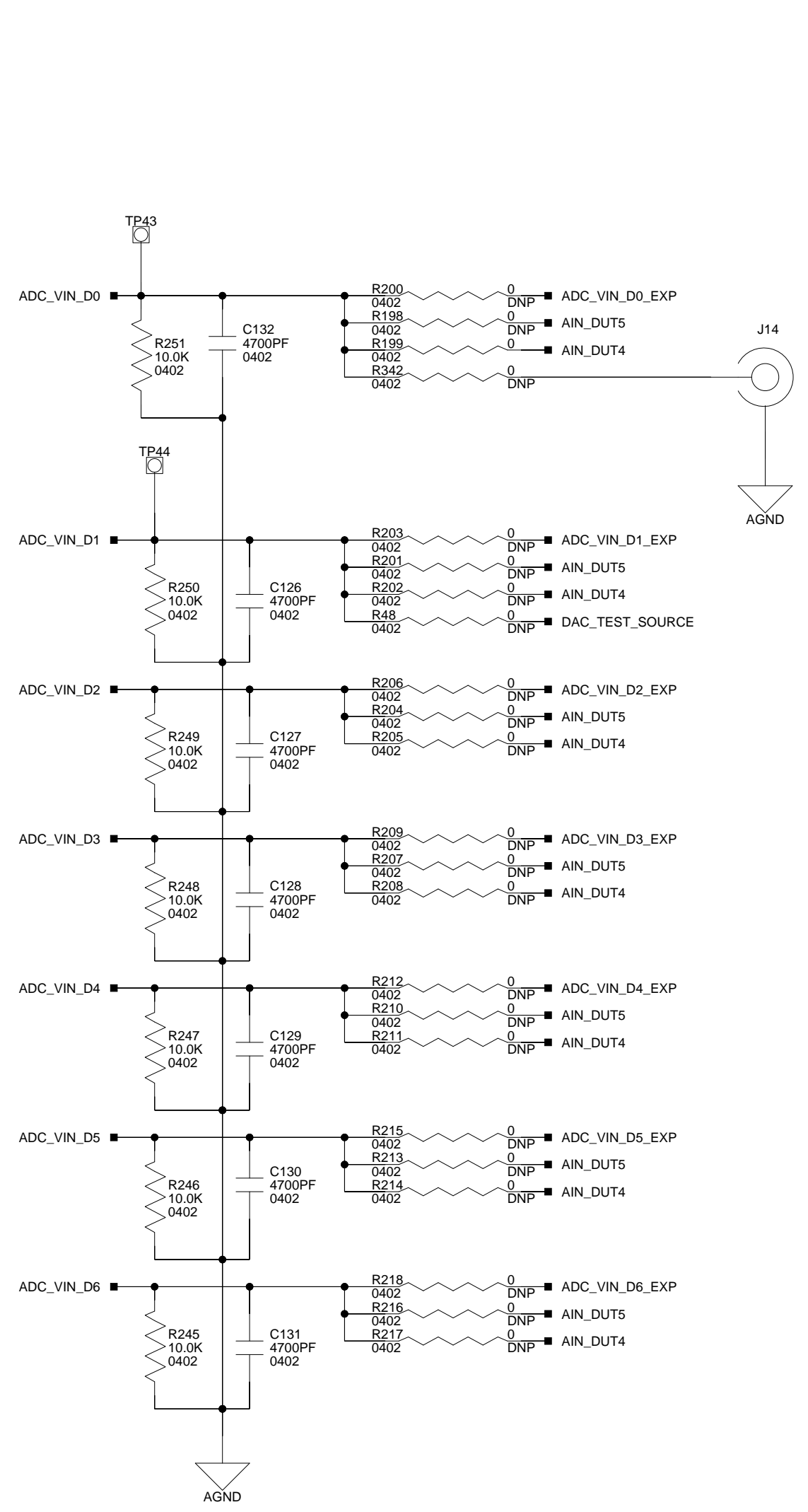
# INPUT CIRCUIT x6


		2 Elizabeth Drive Chelmsford, MA 01824 PH: 1-800-ANALOGD	
		<b>Title</b> ADSP-CM419F EZ-KIT ADC input 1+2	
<b>Size</b> C	<b>Board No.</b> A0723-2015	<b>Rev</b> 1.0	
<b>Date</b> 3/4/16	<b>Sheet</b> 8	<b>of</b> 17	





		2 Elizabeth Drive Chelmsford, MA 01824 PH: 1-800-ANALOGD	
		Title ADSP-CM419F EZ-KIT ADC input 3+4	
Size C	Board No. A0723-2015	Rev 1.0	
Date 3/4/16	Sheet 9	of 17	



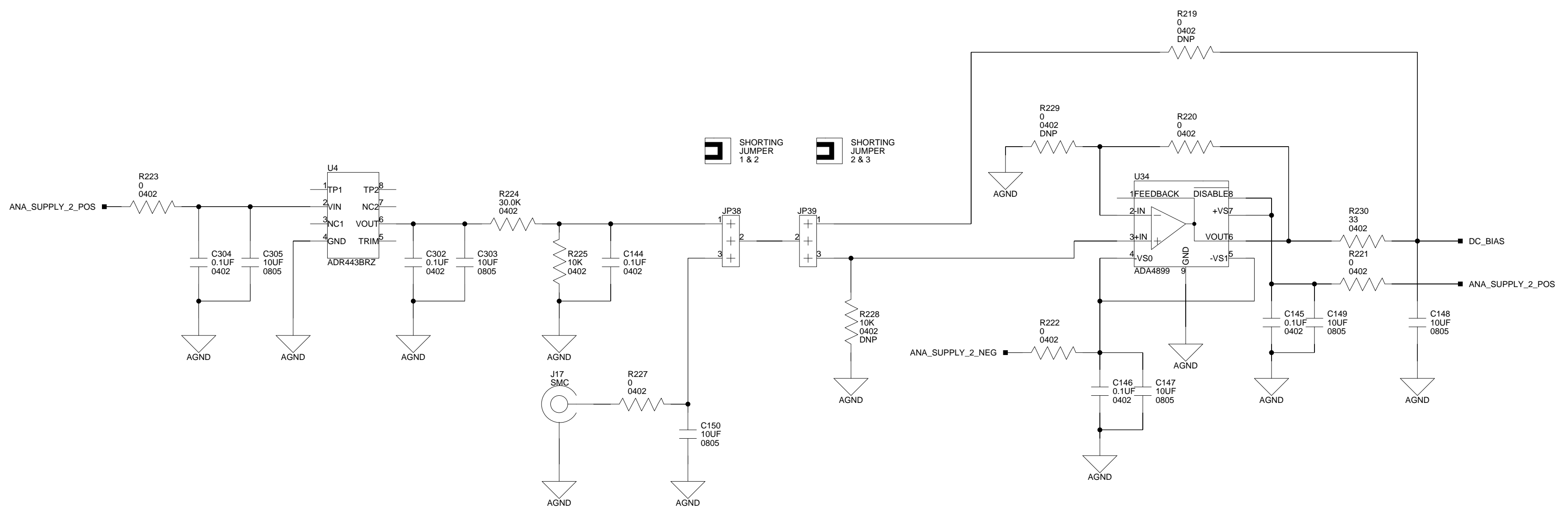
		2 Elizabeth Drive Chelmsford, MA 01824 PH: 1-800-ANALOGD	
		<b>Title</b> ADSP-CM419F EZ-KIT ADC input 5+6	
<b>Size</b> C	<b>Board No.</b> A0723-2015	<b>Rev</b> 1.0	
<b>Date</b> 3/4/16	<b>Sheet</b> 10 of 17		


A

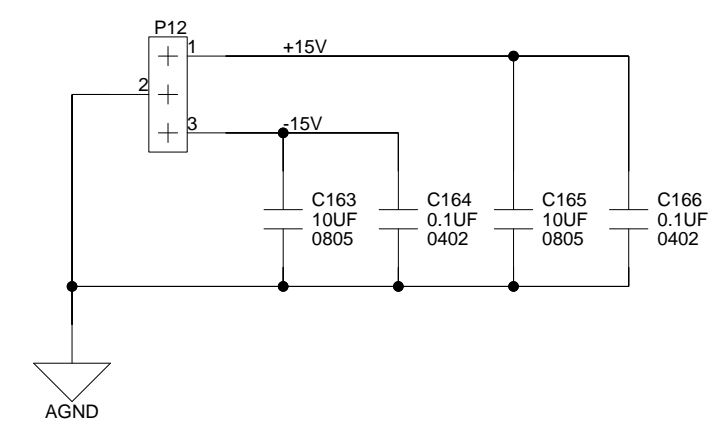
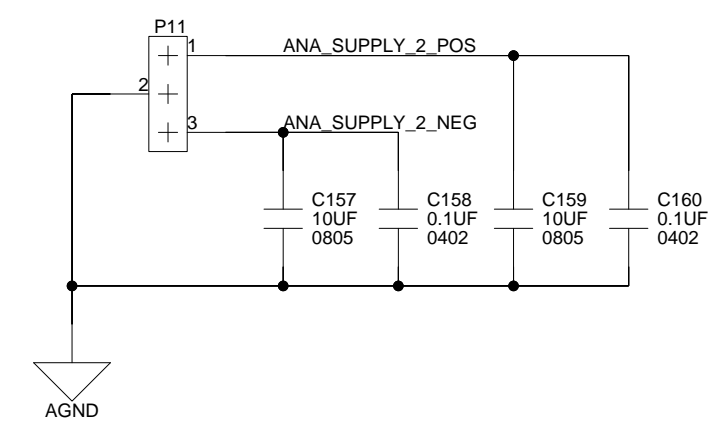
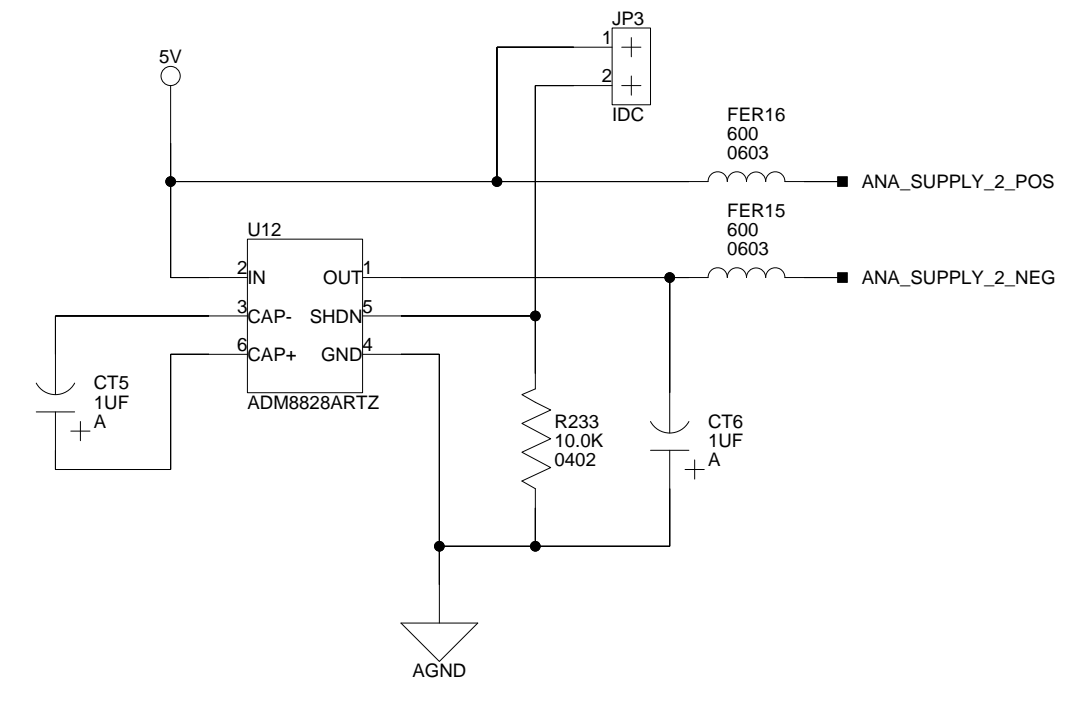
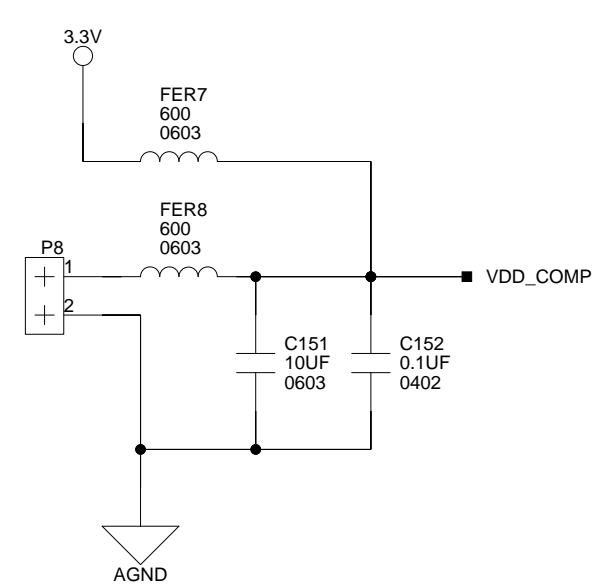
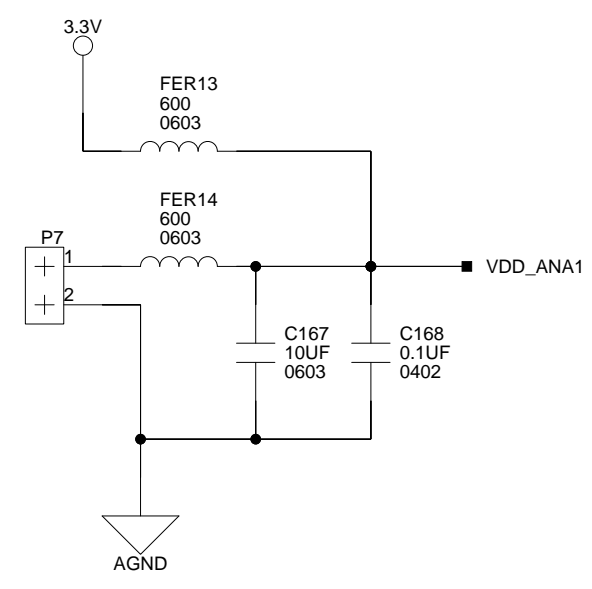
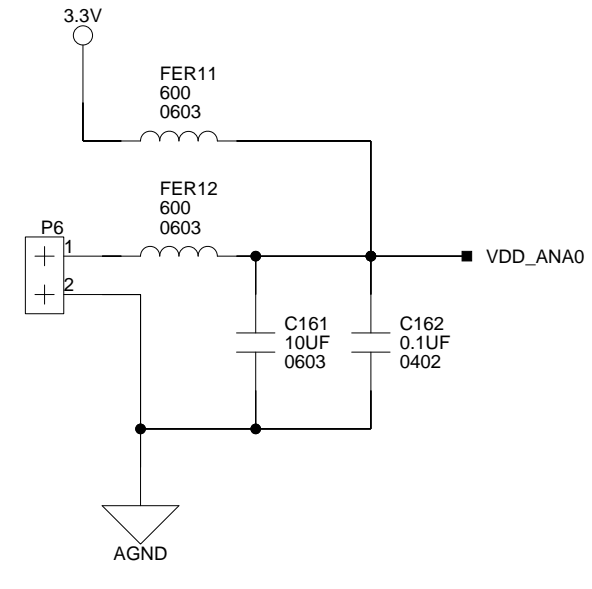
B


C

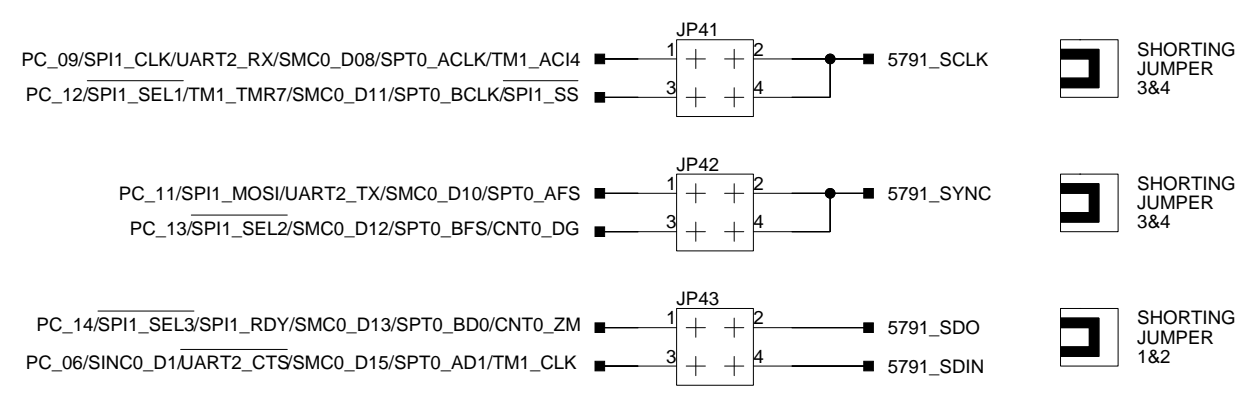
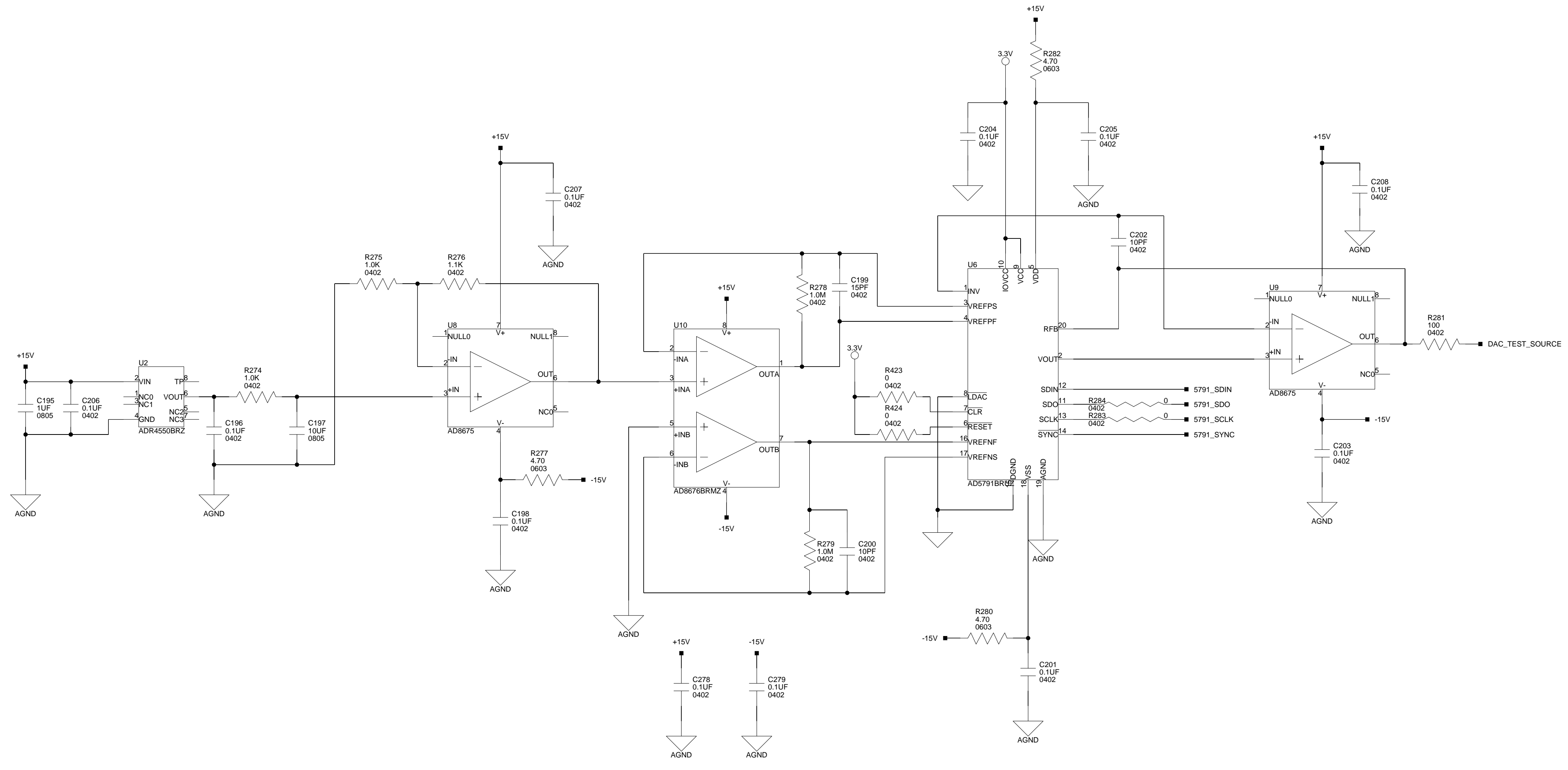
D



		2 Elizabeth Drive Chelmsford, MA 01824 PH: 1-800-ANALOGD	
		<b>Title</b> ADSP-CM419F EZ-KIT DC bias	
<b>Size</b> C	<b>Board No.</b> A0723-2015	<b>Rev</b> 1.0	
<b>Date</b> 3/4/16	<b>Sheet</b> 11 of 17		<b>Sheet</b> 11 of 17

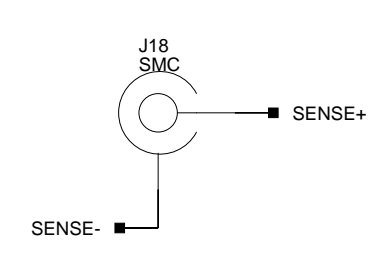
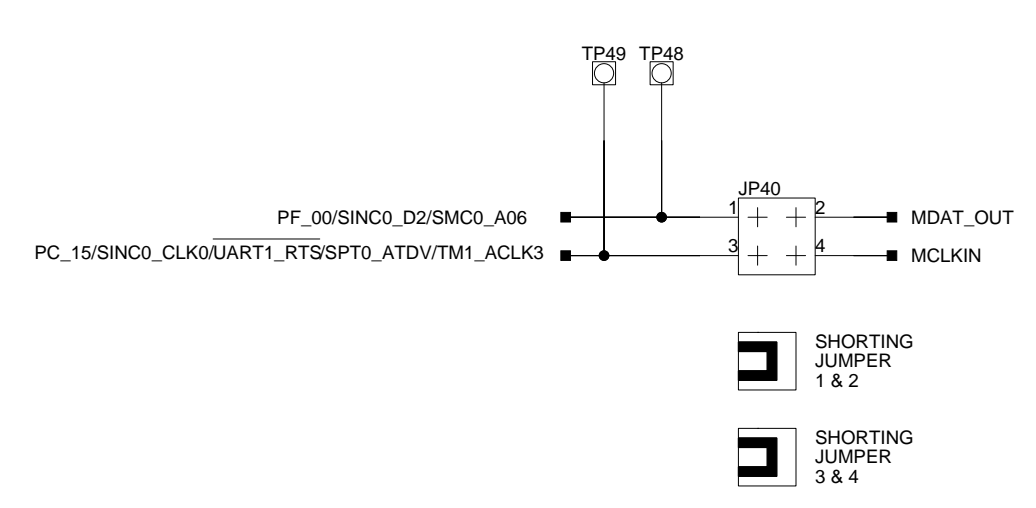
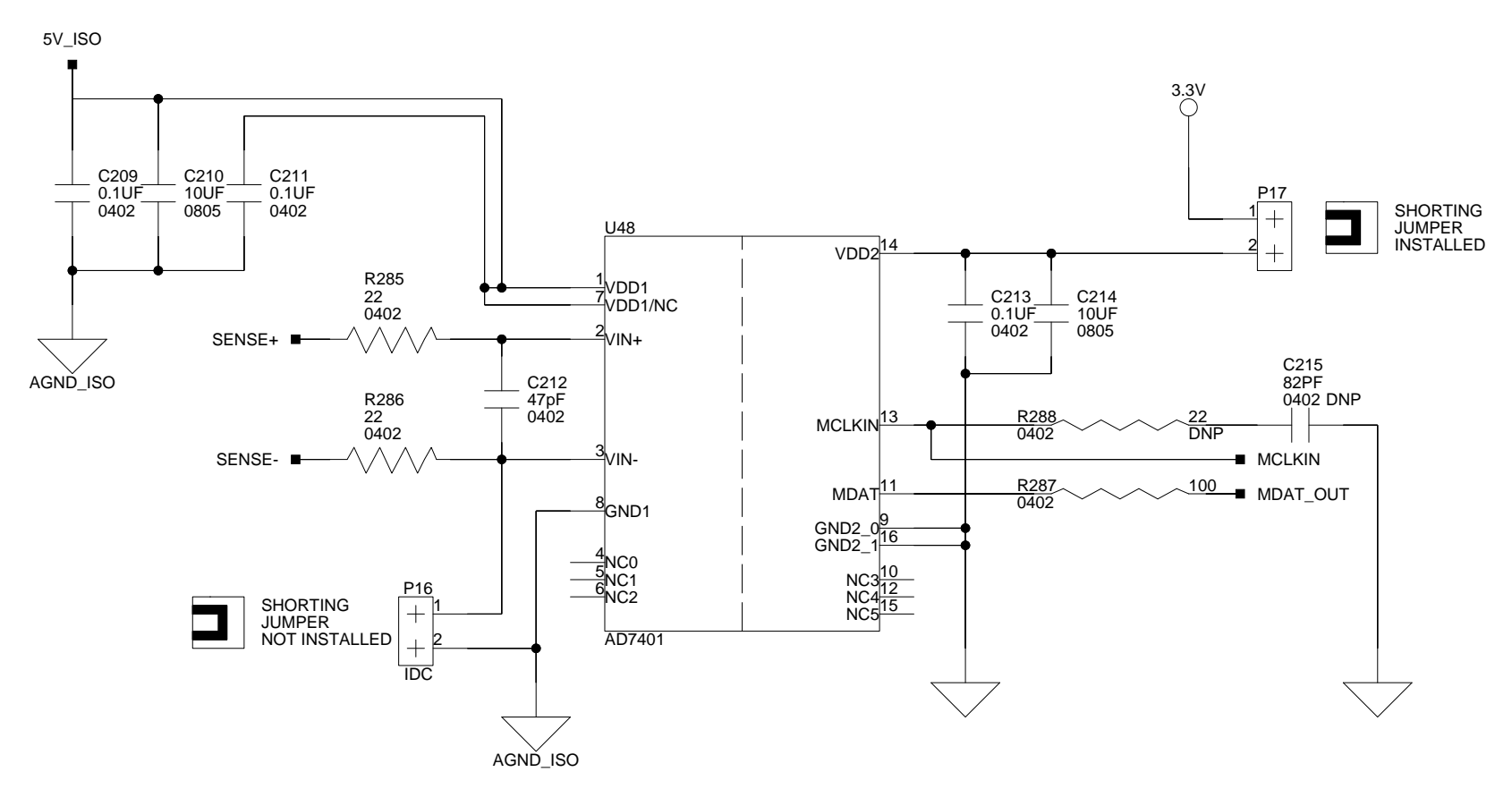
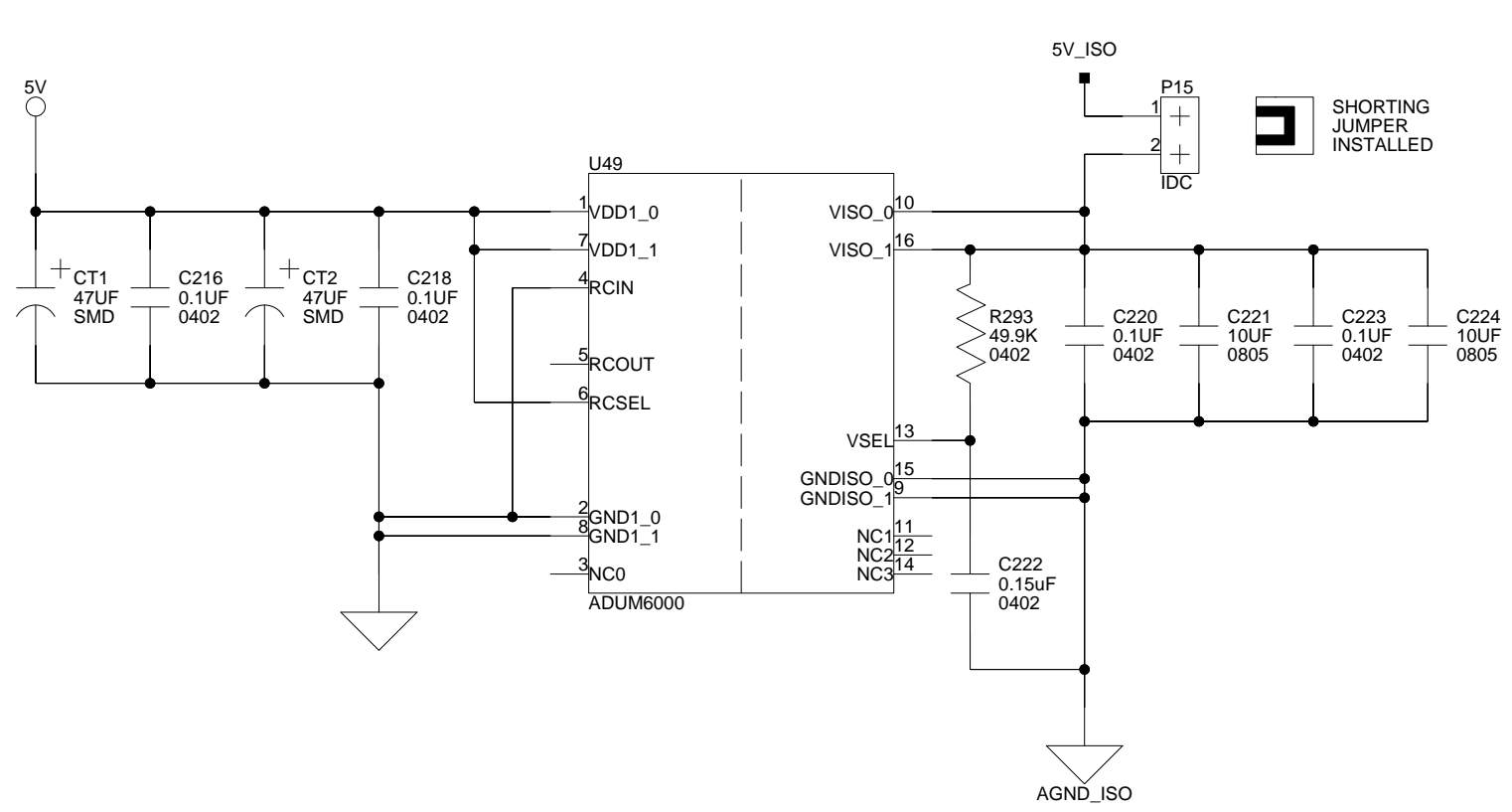


		2 Elizabeth Drive Chelmsford, MA 01824 PH: 1-800-ANALOGD	
Title <b>ADSP-CM419F EZ-KIT AFE supply</b>			
Size C	Board No. <b>A0723-2015</b>	Rev <b>1.0</b>	
Date 3/4/16	Sheet 12 of 17		



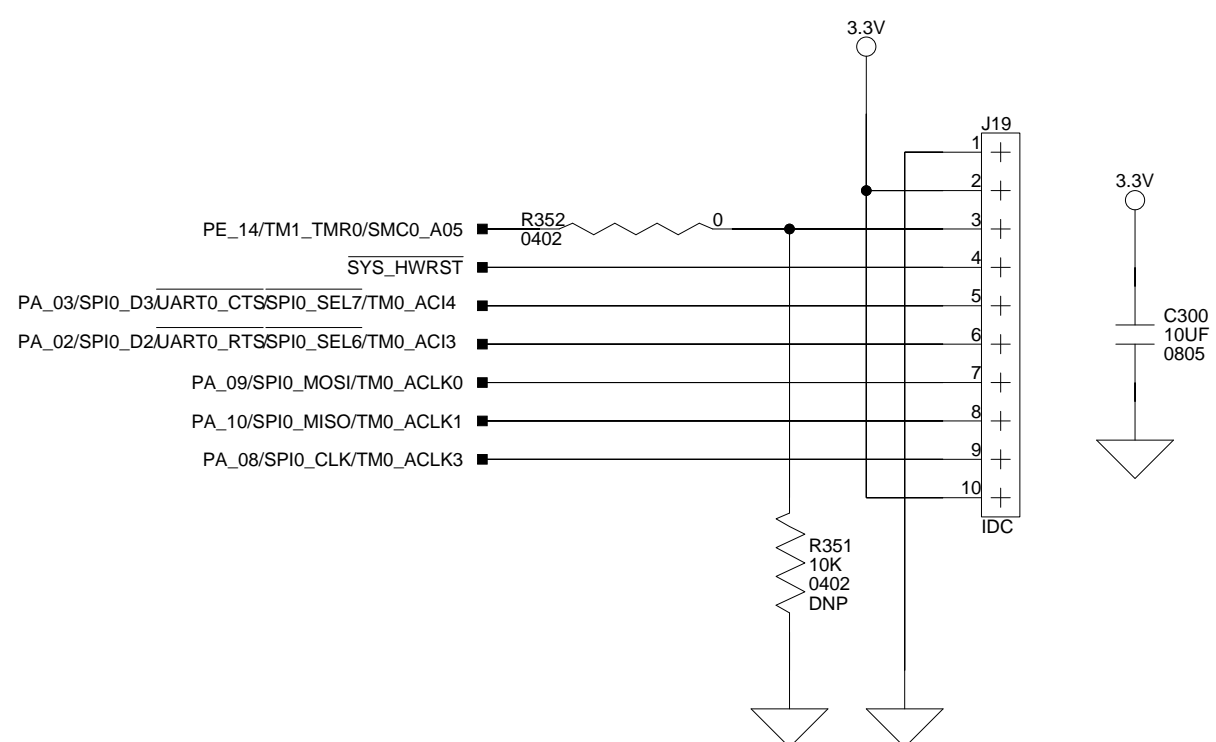
		2 Elizabeth Drive Chelmsford, MA 01824 PH: 1-800-ANALOGD	
		<b>Title</b> ADSP-CM419F EZ-KIT DAC source	
<b>Size</b> C	<b>Board No.</b> A0723-2015	<b>Rev</b> 1.0	
<b>Date</b> 3/4/16	<b>Sheet</b> 13 of 17		

AGND\_ISO components need 1mm isolation from GND

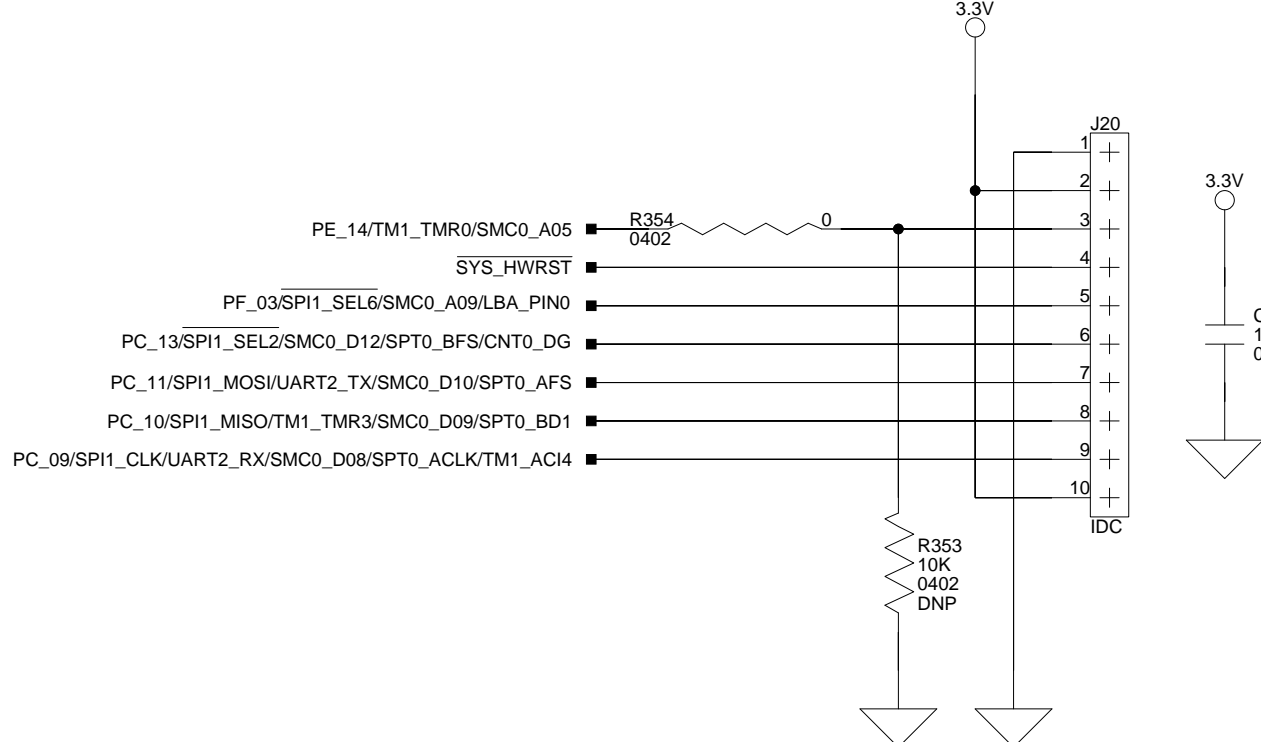


		2 Elizabeth Drive Chelmsford, MA 01824 PH: 1-800-ANALOGD	
		<b>Title</b> ADSP-CM419F EZ-KIT SINC input	
<b>Size</b> C	<b>Board No.</b> A0723-2015	<b>Rev</b> 1.0	
<b>Date</b> 3/4/16	<b>Sheet</b> 14 of 17		<b>Date</b>

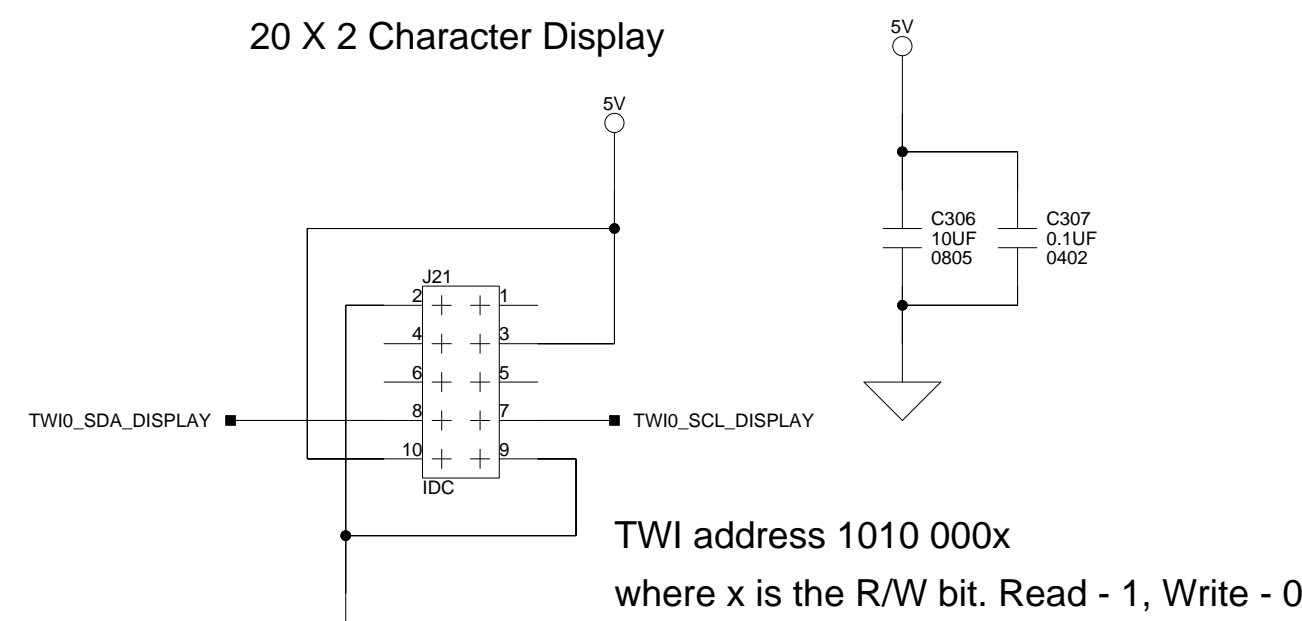
### LCD connector for SPI0



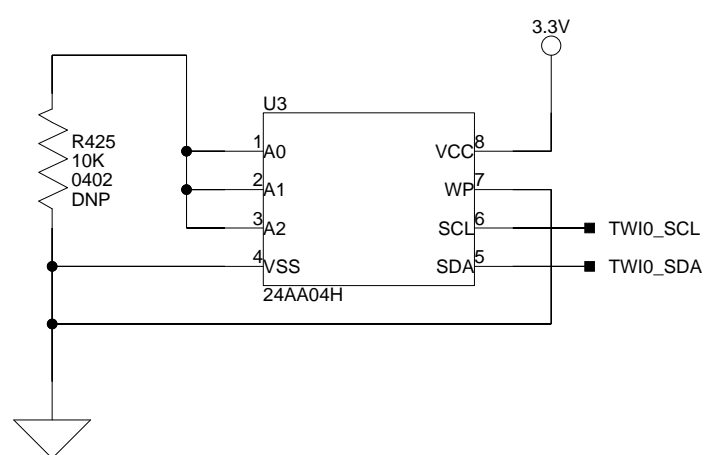
### LCD connector for SPI1



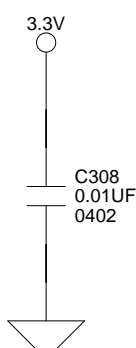
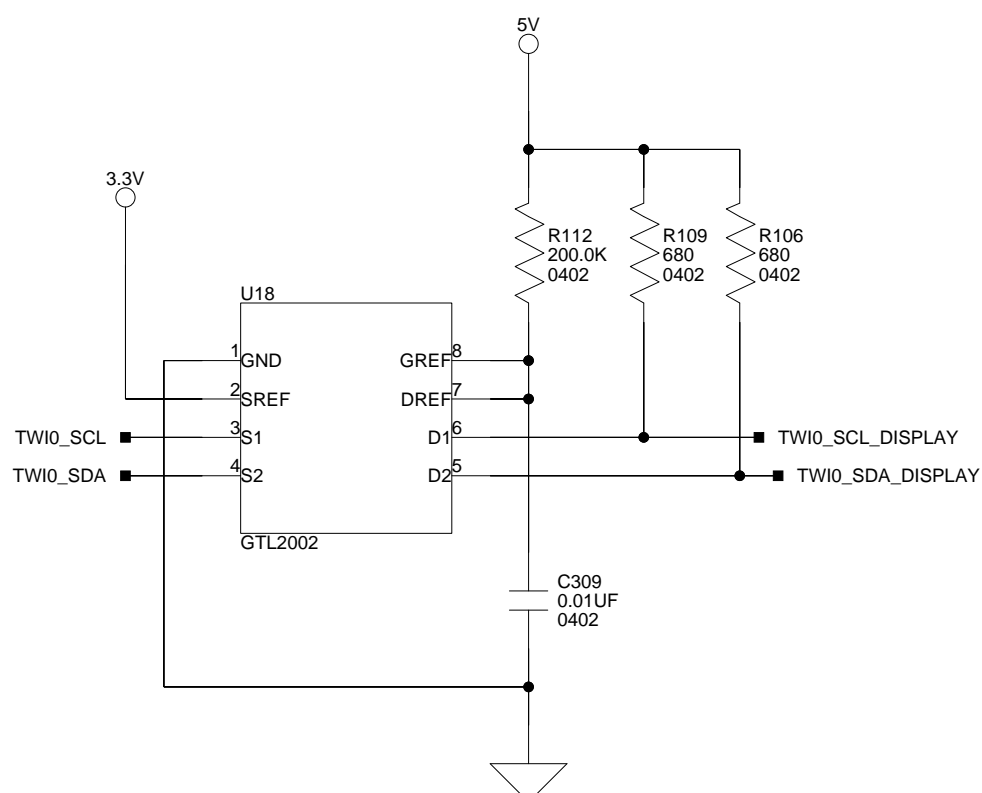
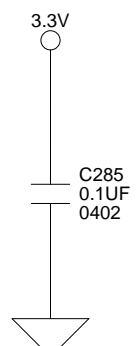
### 20 X 2 Character Display



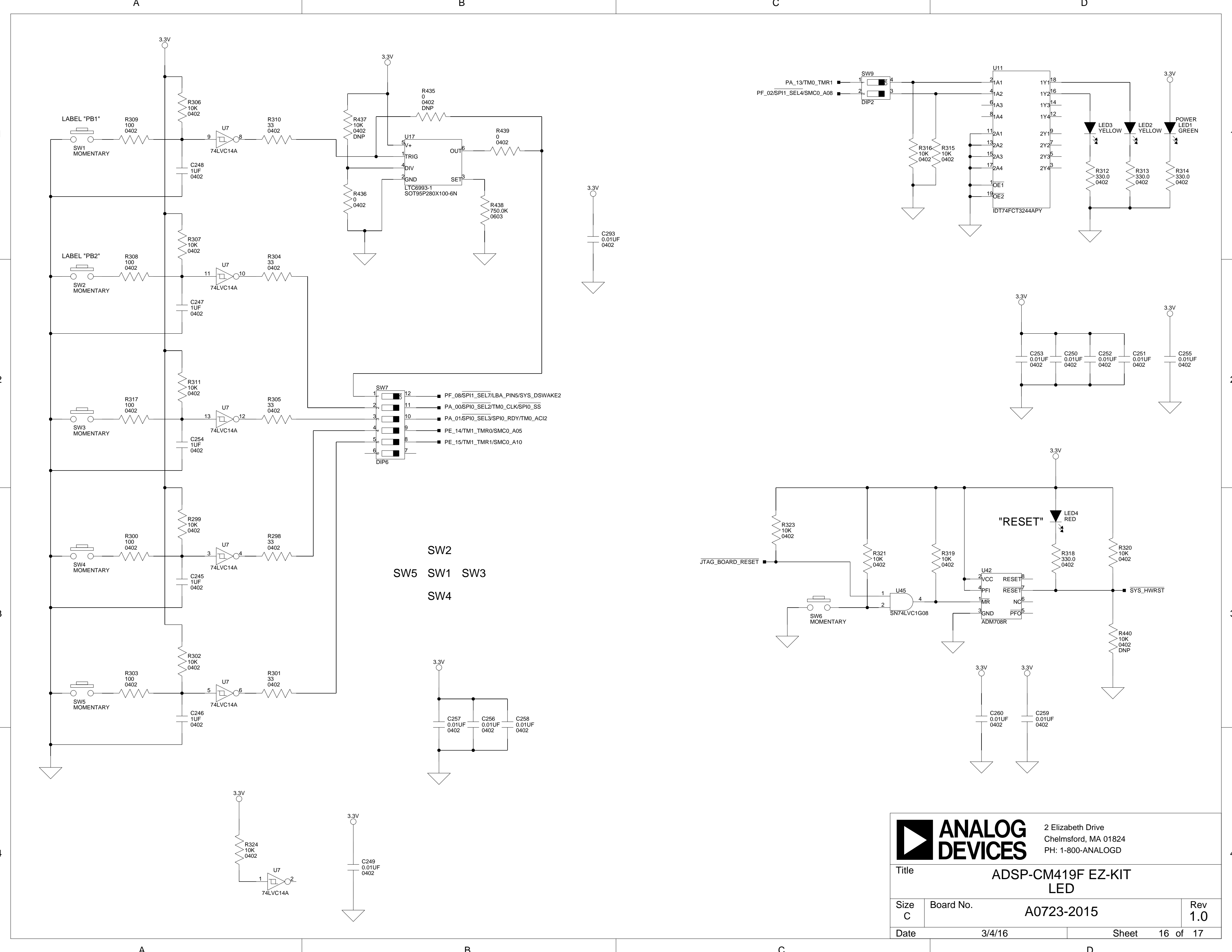
### ADDRESS:1010 XXX, XXX IS BLOCK SELECT




### ADDRESS PINS NOT USED, CAN FLOAT

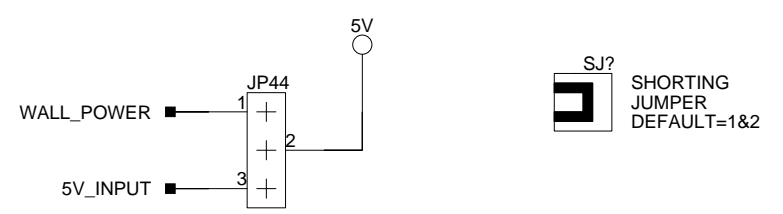


		2 Elizabeth Drive Chelmsford, MA 01824 PH: 1-800-ANALOGD	
Title <b>ADSP-CM419F EZ-KIT LCD &amp; EEPROM</b>			
Size C	Board No. <b>A0723-2015</b>	Rev <b>1.0</b>	
Date 3/4/16	Sheet 15 of 17		

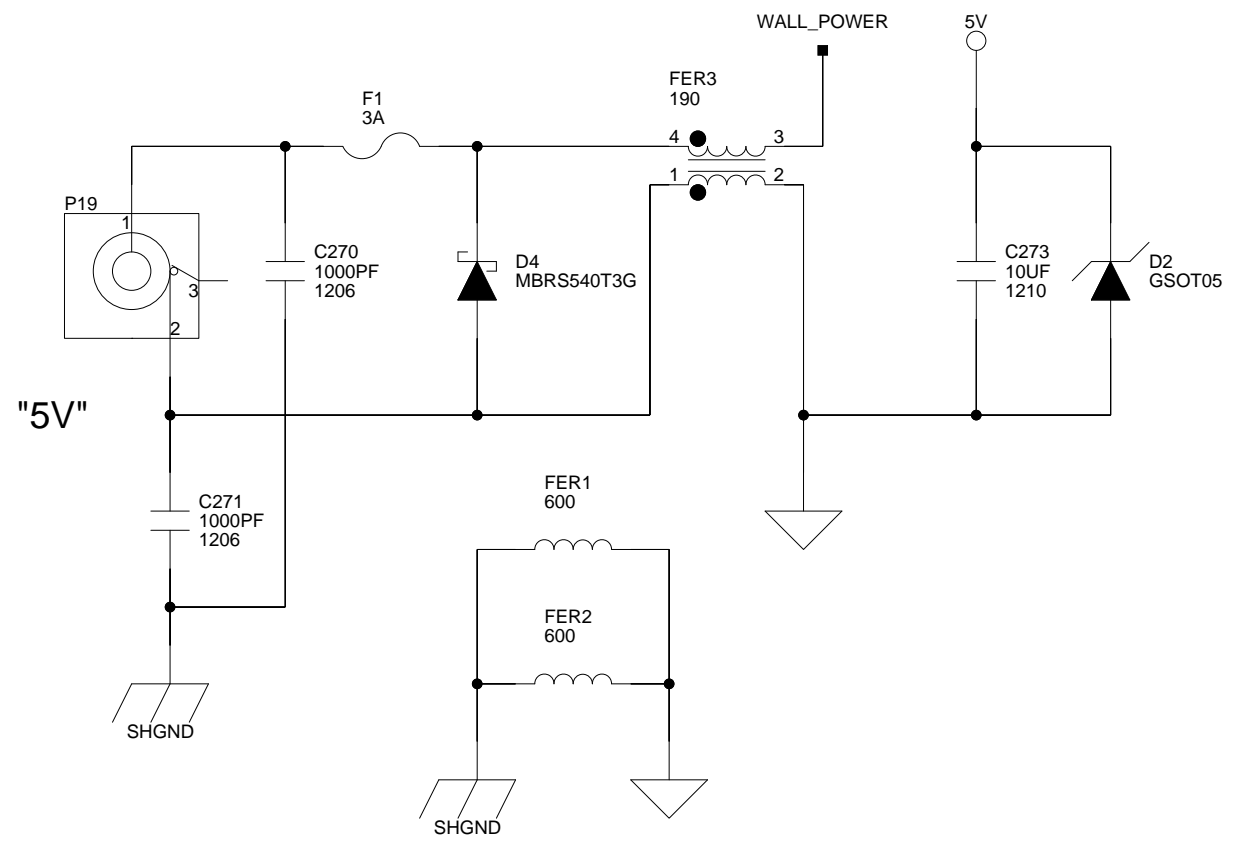


		2 Elizabeth Drive Chelmsford, MA 01824 PH: 1-800-ANALOGD	
<b>Title</b> ADSP-CM419F EZ-KIT LED			
<b>Size</b> C	<b>Board No.</b> A0723-2015	<b>Rev</b> 1.0	
<b>Date</b> 3/4/16	<b>Sheet</b> 16 of 17		<b>Rev</b> 1.0

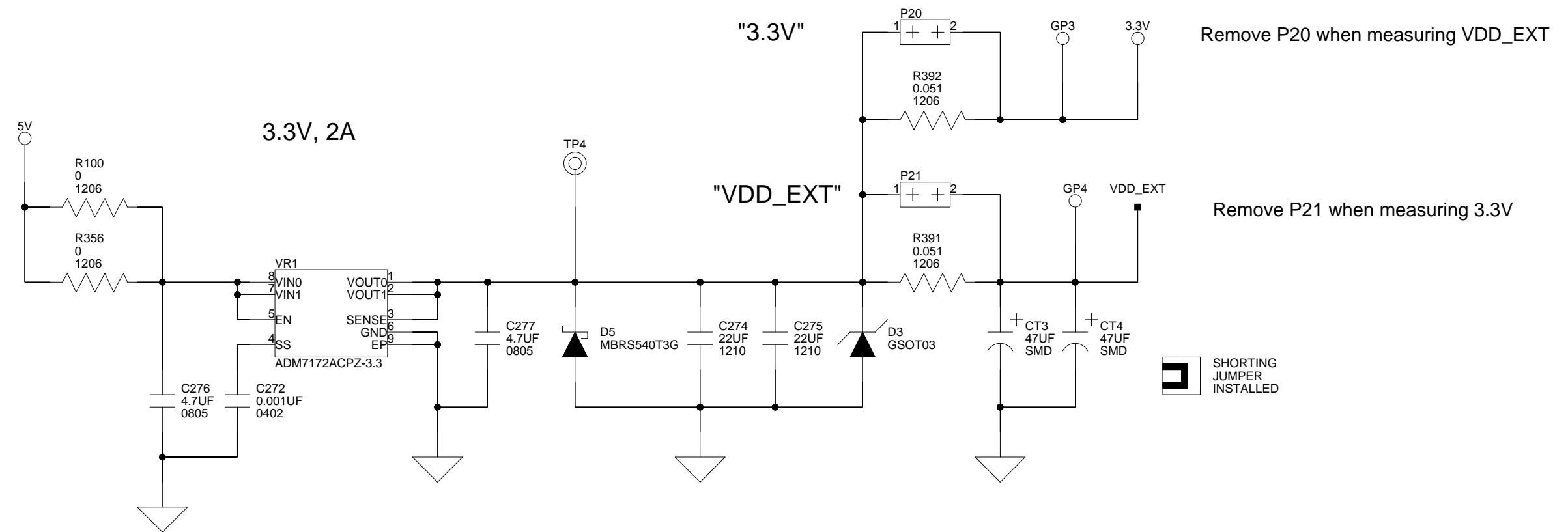




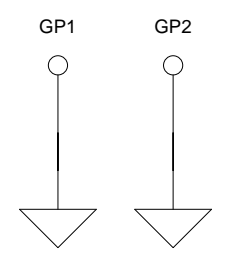
**SJ?** SHORTING JUMPER DEFAULT=1&2



**SJ** SHORTING JUMPER INSTALLED



**SJ** SHORTING JUMPER INSTALLED



		2 Elizabeth Drive Chelmsford, MA 01824 PH: 1-800-ANALOGD	
Title <b>ADSP-CM419F EZ-KIT Power</b>			
Size C	Board No.	<b>A0723-2015</b>	Rev <b>1.0</b>
Date	<b>3/4/16</b>	Sheet	<b>17 of 17</b>