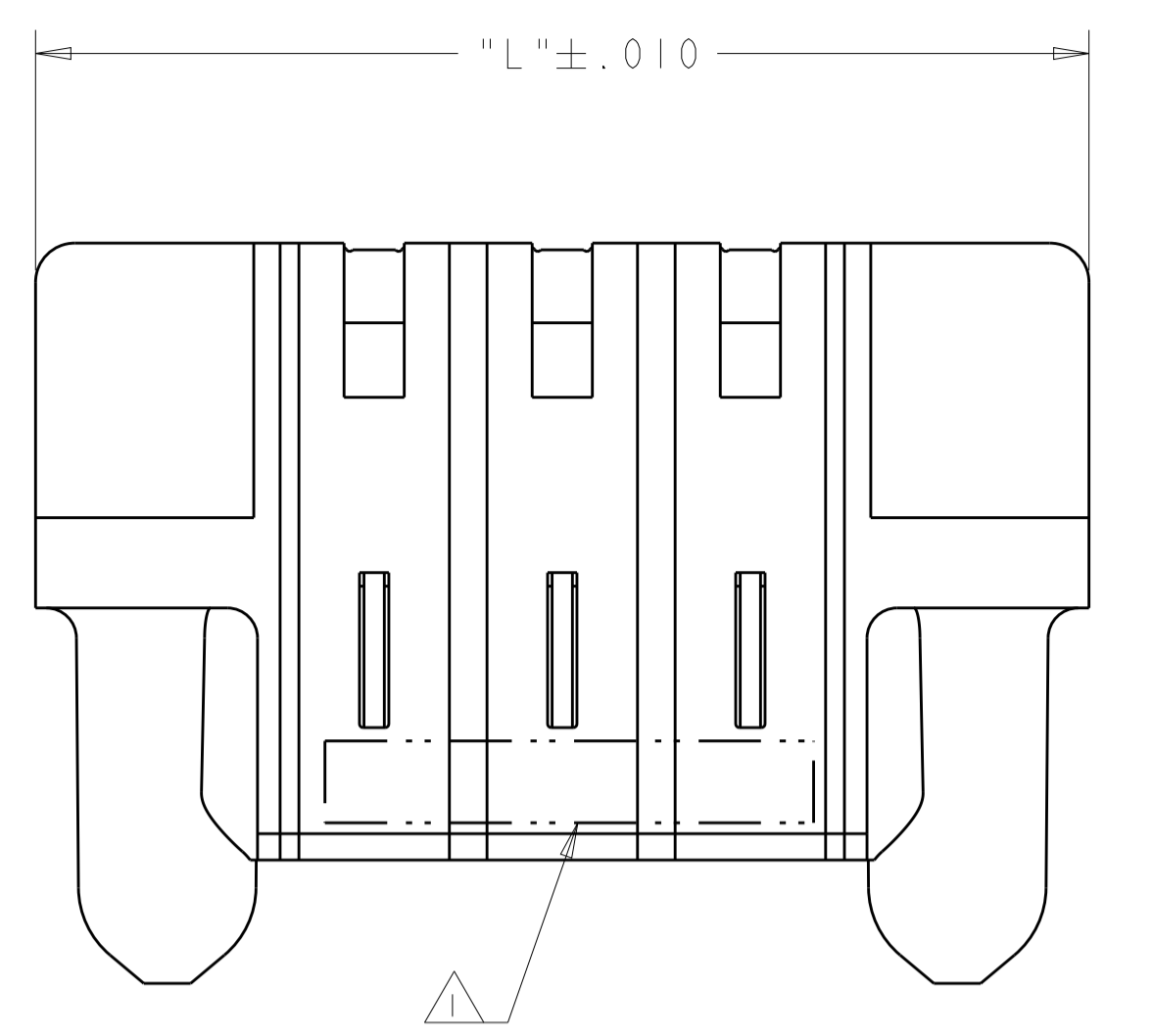
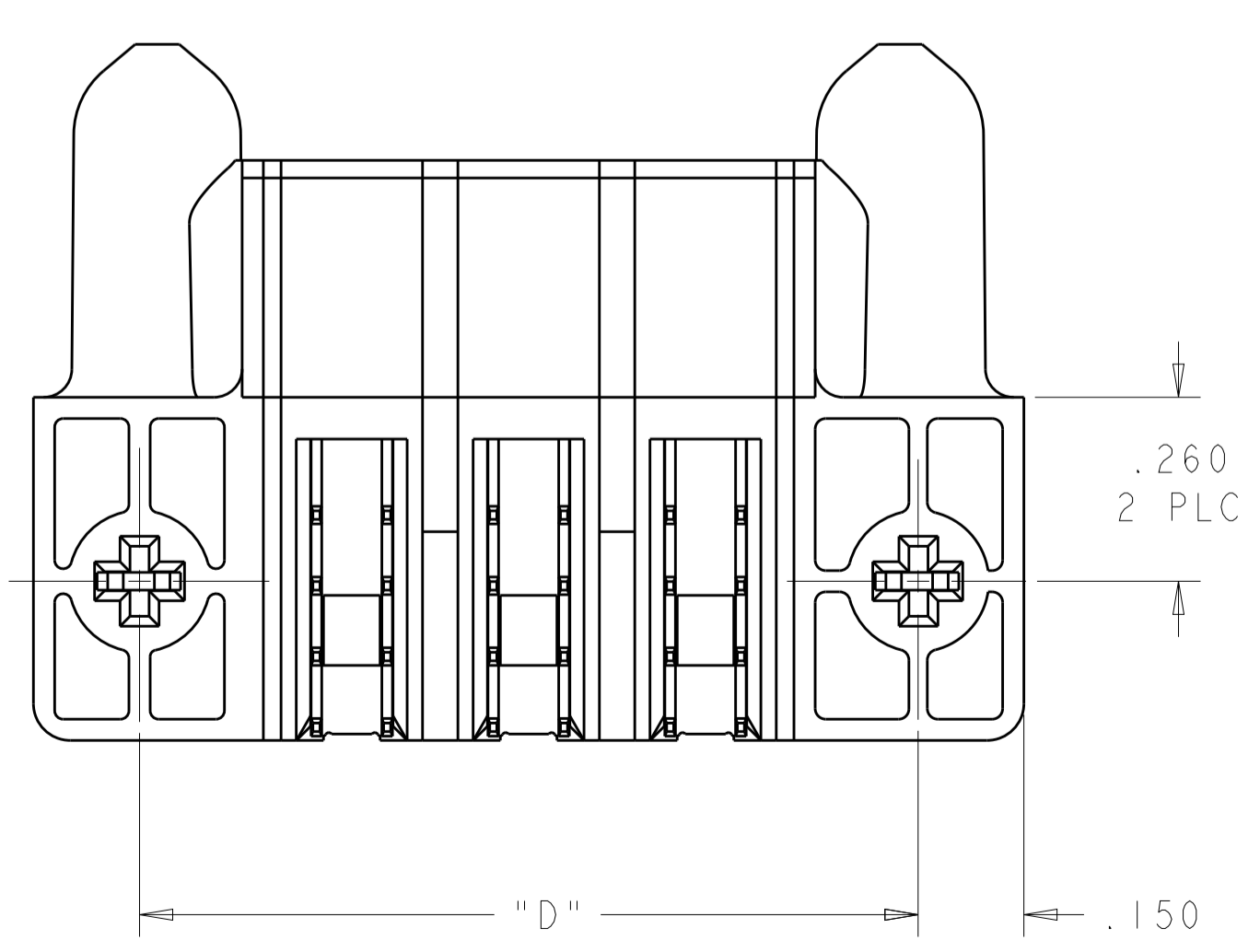
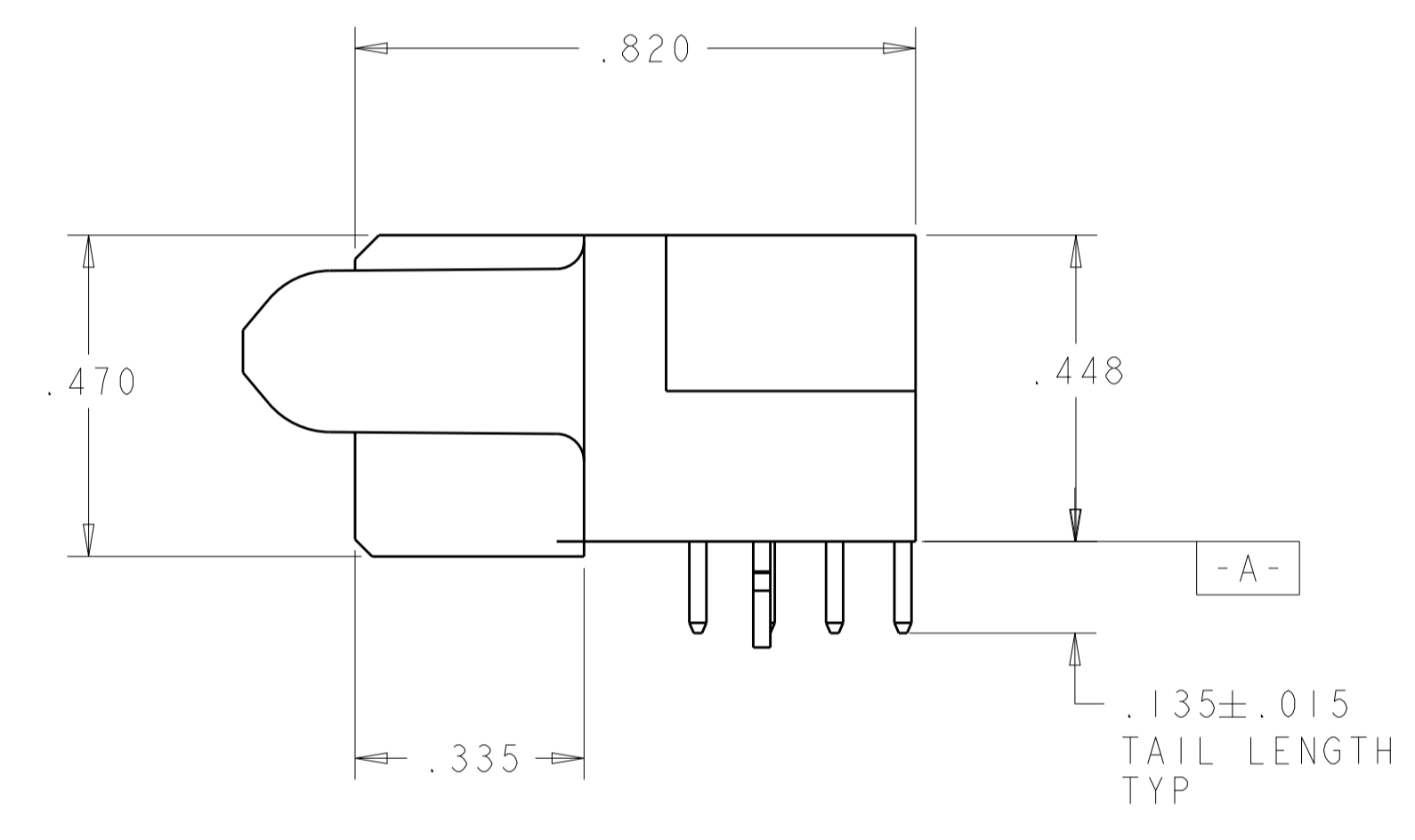
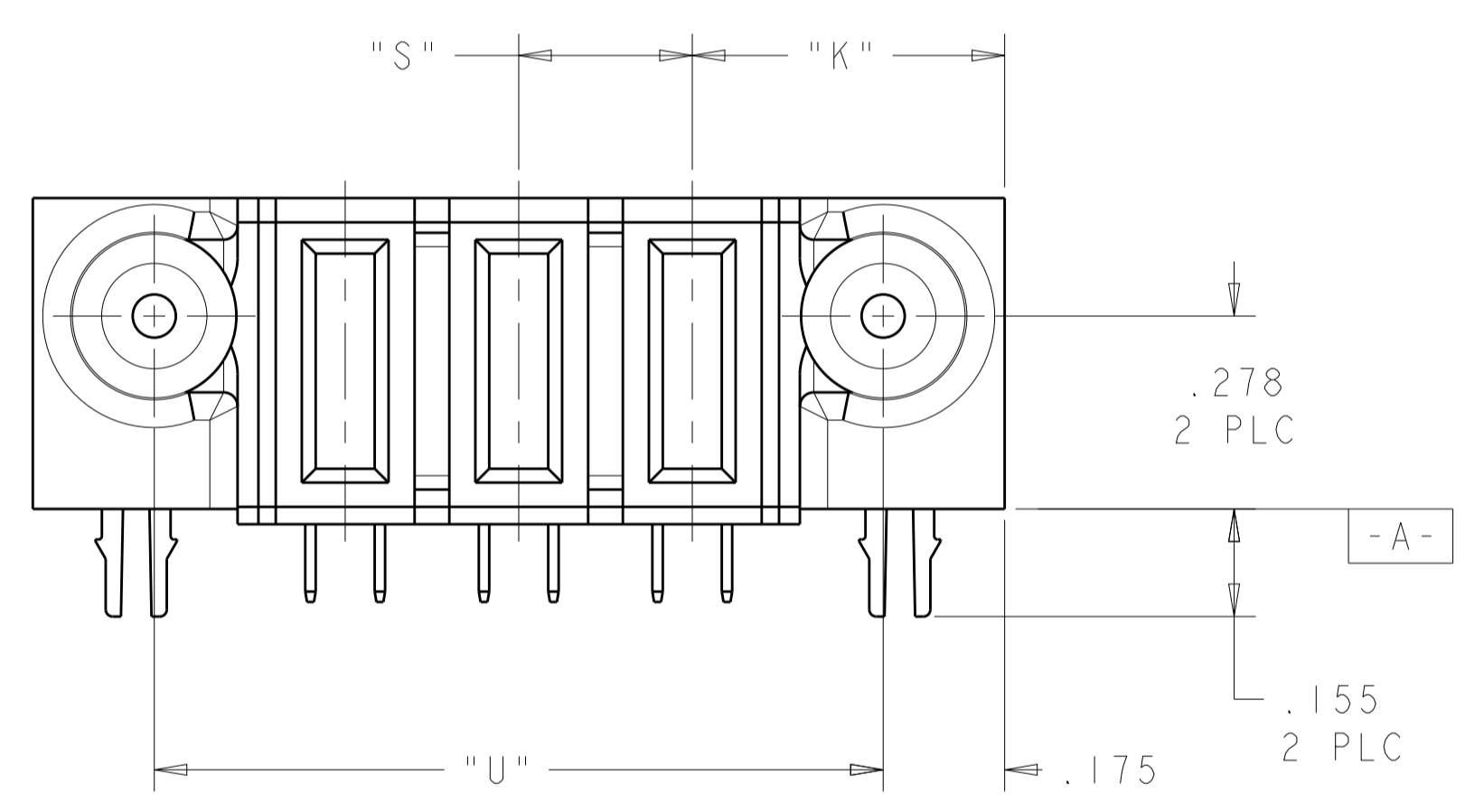


LOC	DIST	REVISIONS					
		P.	LTN	DESCRIPTION	DATE	DWN	APVD
GP	00	A4		ADD VIEW FOR -4	27MAY2015	CZ	SZ
		A5		ADDING NOTE FOR -4	10MAY2016	WY	SZ



- 1 "AMP", PART NUMBER AND DATE CODE TO BE MARKED IN AREA SHOWN. PARTS UNDER 2.000 MAY BE MARKED ON BOTH SIDES.
- 2 MATERIAL: HOUSING - GLASS FILLED HIGH TEMP THERMO PLASTIC, UL94 V-0. POWER CONTACT - HIGH CONDUCTIVITY COPPER ALLOY
- 3 CONTACT PLATING: NOBLE METAL PLATING ON CONTACT FUNCTIONAL AREA OF POWER AND SIGNAL CONTACTS
- 4 MECHANICAL CONNECTOR KEEP OUT ZONE.
- 5 DATUM AND BASIC DIMENSIONS ESTABLISHED BY CUSTOMER.
- 6 PCB - ALL HOLE DIAMETERS ARE FINISHED HOLE SIZES.
- 7 PCB - .0453 +/- .0010 DRILLED HOLES PLATED WITH .0003 MIN Sn OVER .001 TO .003 PLATING TO ACHIEVE A .040 DIA. HOLE.



.200	3.750	3.800	4.100	.450	17P	6450163-4
.250	2.300	2.350	2.650	.450	8P	6450163-2
.250	1.050	1.100	1.400	.450	3P	6450163-1
"S"	"U"	"D"	"L"	"K"	DESCRIPTION	PART NUMBER

THIS DRAWING IS A CONTROLLED DOCUMENT. DWN: R. GRZYBOWSKI 21FEB05  
 CHK: M. PERCHERKE 21FEB05  
 APVD: M. PERCHERKE

**STE** TE Connectivity

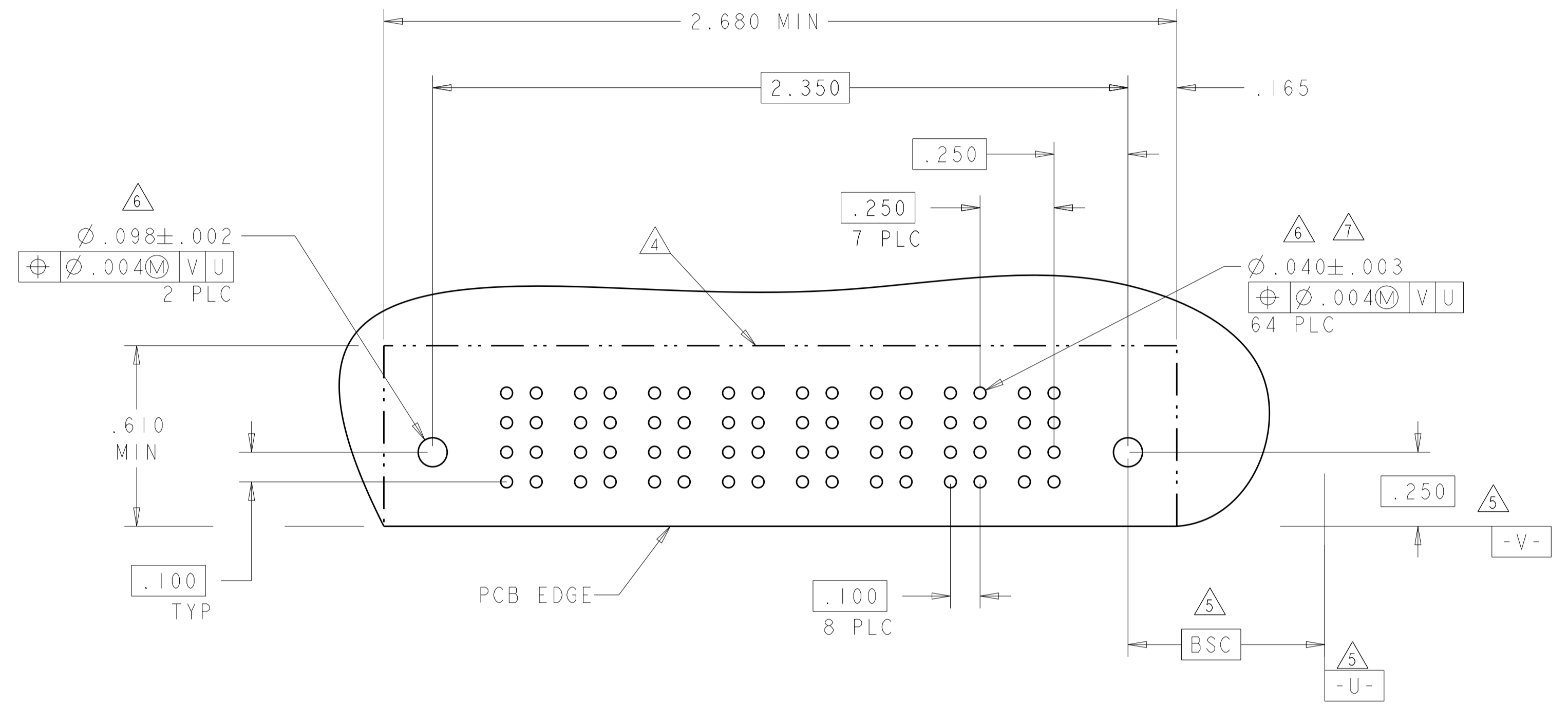
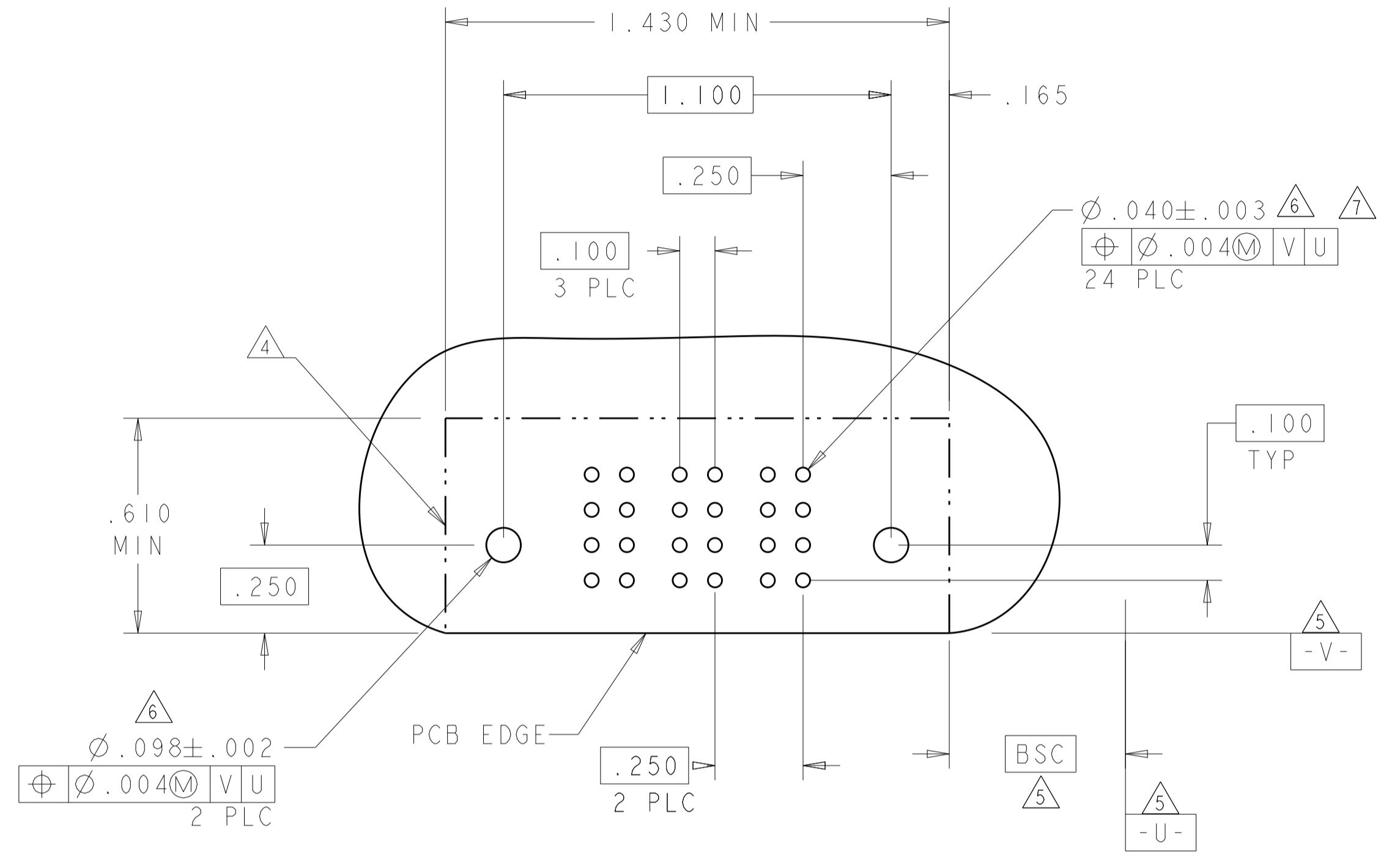
NAME: RIGHT ANGLE RECEPTACLE ASSEMBLY WITH GUIDES MULTI-BEAM XL  
 PRODUCT SPEC: 108-1973  
 APPLICATION SPEC: 114-13038  
 SIZE: A1  
 CAGE CODE: 6450163  
 DRAWING NO: 100779  
 WEIGHT: -  
 RESTRICTED TO: -

MATERIAL: 2 FINISH: 3  
 Customer Drawing SCALE: 4:1 SHEET 1 OF 2 REV: A5

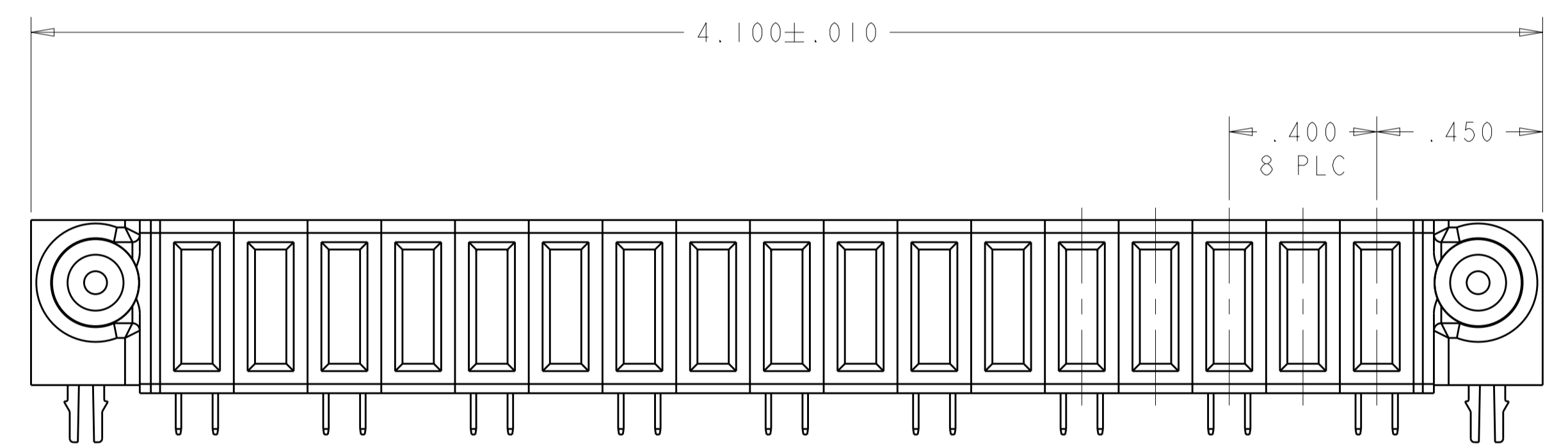
LOC	DIST	REVISIONS				
GP	00	P	LYN	DATE	DWN	APVD
		-	SEE SHEET 1			

PART NUMBER	ROWS	POWER		
		P3	P2	P1
6450163-1	D C B A	RA	RA	RA
3P		HD		HD

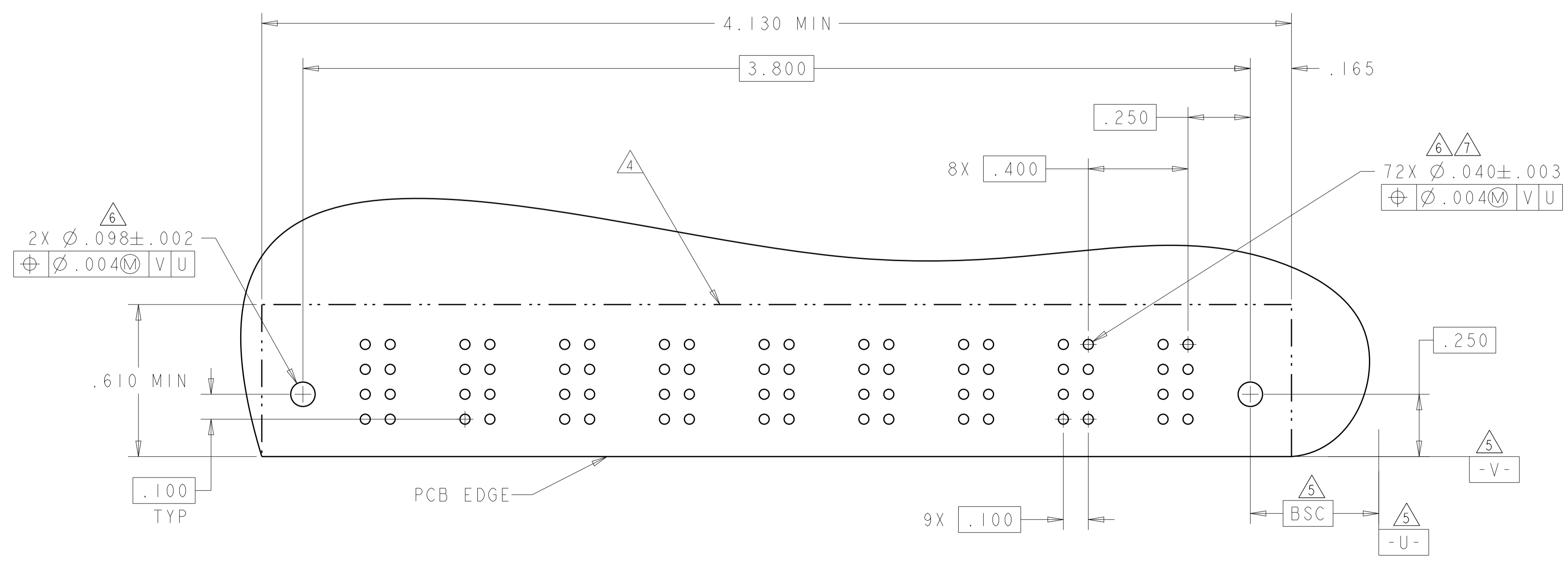
PART NUMBER	ROWS	POWER							
		P8	P7	P6	P5	P4	P3	P2	P1
6450163-2	D C B A	RA	RA	RA	RA	RA	RA	RA	RA
8P		HD							HD



PART NUMBER	ROWS	POWER																
		P17	P16	P15	P14	P13	P12	P11	P10	P9	P8	P7	P6	P5	P4	P3	P2	P1
6450163-4	D C B A	RA	RM	RM	RM	RM	RM	RM	RM	RM	RM	RM	RM	RM	RM	RM	RM	RM
17P		HD																HD



NO CONTACTS LOADED



FOR PART 6450163-4 MAX OPERATING VOLTAGE: 480VAC AND WITHSTAND HOT PLUG WITH 480VAC, 0.1A

CODE	TAIL LENGTH	TYPE
RM	.135	STD
RA	.135	MFBL
POWER CONTACT		

THIS DRAWING IS A CONTROLLED DOCUMENT.

DIMENSIONS: INCHES	TOLERANCES UNLESS OTHERWISE SPECIFIED:	DWN: R. GRZYBOWSKI	21FEB05
0 PLC ± .01	1 PLC ± .01	CHK: M. PERCHERKE	21FEB05
2 PLC ± .01	3 PLC ± .01	APVD: M. PERCHERKE	
4 PLC ± .005	5 PLC ± .005	NAME: M. PERCHERKE	
6 PLC ± .002	7 PLC ± .002	PRODUCT SPEC: 108-1973	
ANGLES: ± .002		APPLICATION SPEC: 114-13038	
MATERIAL: -	FINISH: -	WEIGHT: -	RESTRICTED TO: -

Customer Drawing

SCALE: 1:1 SHEET 2 OF 2 REV: A5