

**Ratings**

Temperature: -40 ~ 70 °C  
Voltage: 150 V

**Conductor**

Gauge: 32 AWG, 0.039 mm<sup>2</sup>  
Material: tinned copper strands  
Stranding:  $\phi 0.05 \times 19$   
Resistance at 20 °C: 590  $\Omega$ /km

**Insulator**

Material: HDPE  
Color: black, white, red  
Outer diameter:  $\phi 0.55 \pm 0.05$  mm  
Nominal thickness: 0.15 mm  
Resistance at 20 °C: 1000 M $\Omega$ /km

**Shield**

Type: spiral  
Material: tinned copper strands  
Strand size:  $\phi 0.08$  mm  
Coverage: 90 % minimum

**Outer jacket**

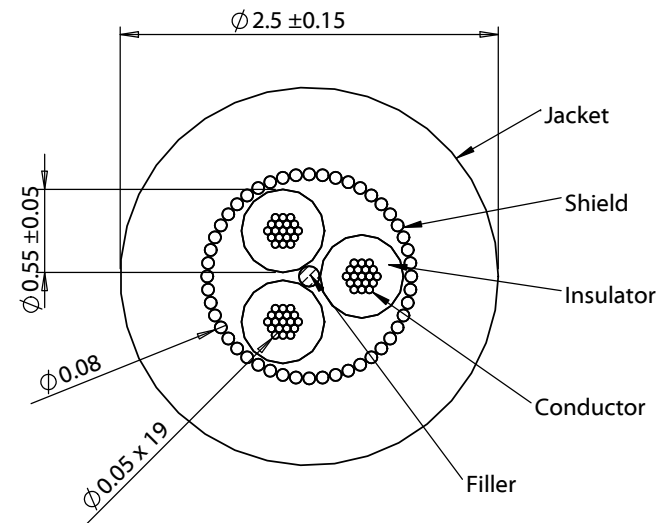
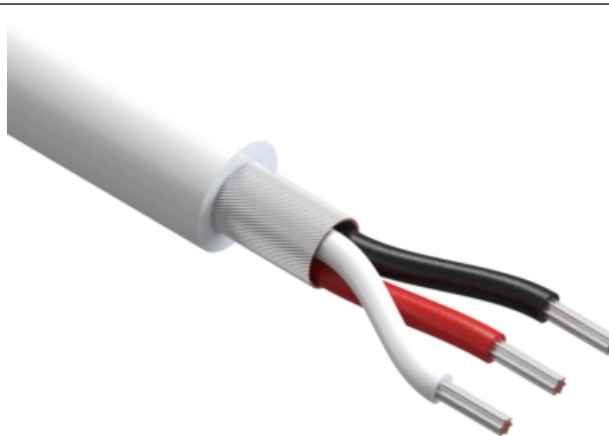
Material: TPU, 70 °C  
Color: white, cool gray 1C  
Nominal thickness: 0.50 mm  
Diameter:  $\phi 2.5 \pm 0.15$  mm

**Filler**

Material: aramid fiber

**Tests**

Tensile strength: 25.5 kgf  
Dielectric test: 1500 V dc for 1 minute without breakdown  
Bend test at 200 g,  $\pm 90^\circ$ , 30 cycles /min: 10,000 cycle minimum



REVISION	DATE	DESCRIPTION
A	4/22/2015	Initial release
A1	1/13/2016	Updated notes, corrected tolerance
A2	1/17/2019	Changed filler material to generic name

PREPARED:

NOTES

RoHS and REACH compliant

VERIFIED:

Jacket meets ISO 10993 Biological Compatibility

Phthalate and halogen free

DIMENSIONS ARE IN MILLIMETERS

DESCRIPTION:

Wire, 3C TS, 32 AWG, 150V, 70C, 2.5 mm, spiral shield, TPU, white, WBL

TOLERANCES:  
X:  $\pm 0.5$  mm  
X.X:  $\pm 0.3$  mm  
X.XX:  $\pm 0.05$  mm

**TENSILITY**

20802 Sockeye Place #130  
Bend, OR 97701 USA

tel 541.323.3228 fax 541.323.4202  
800 877.670.7118 www.tensility.com

SIZE

A

PART NUMBER

30-00454

SCALE: 1:1

SHEET 1 OF 1