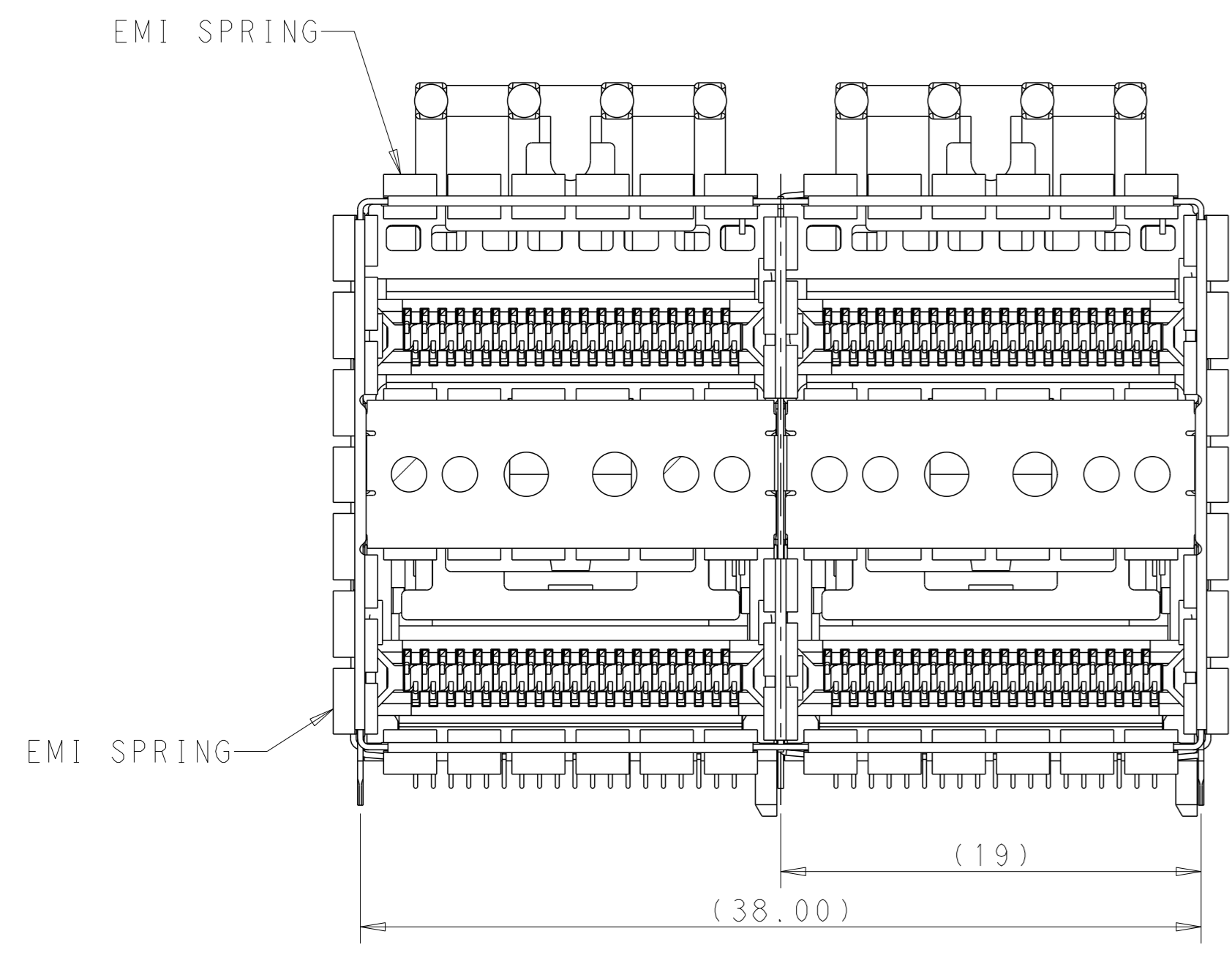
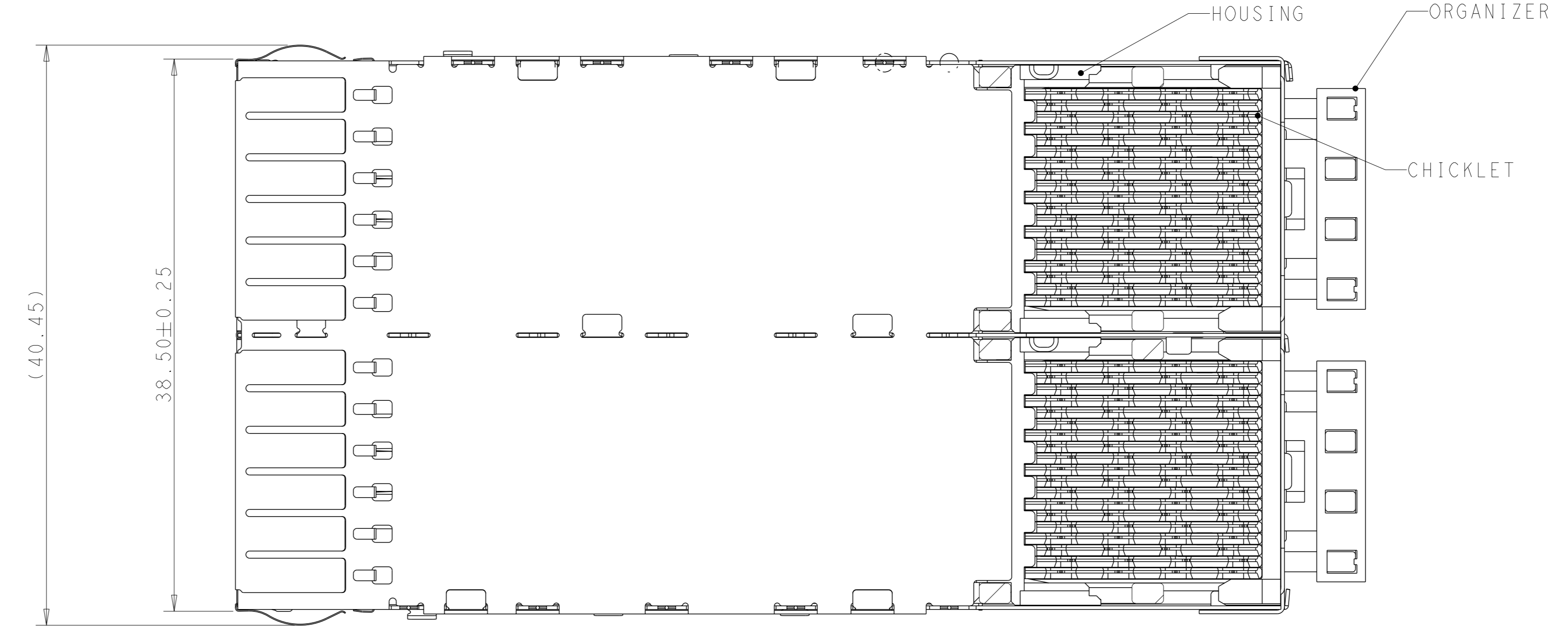
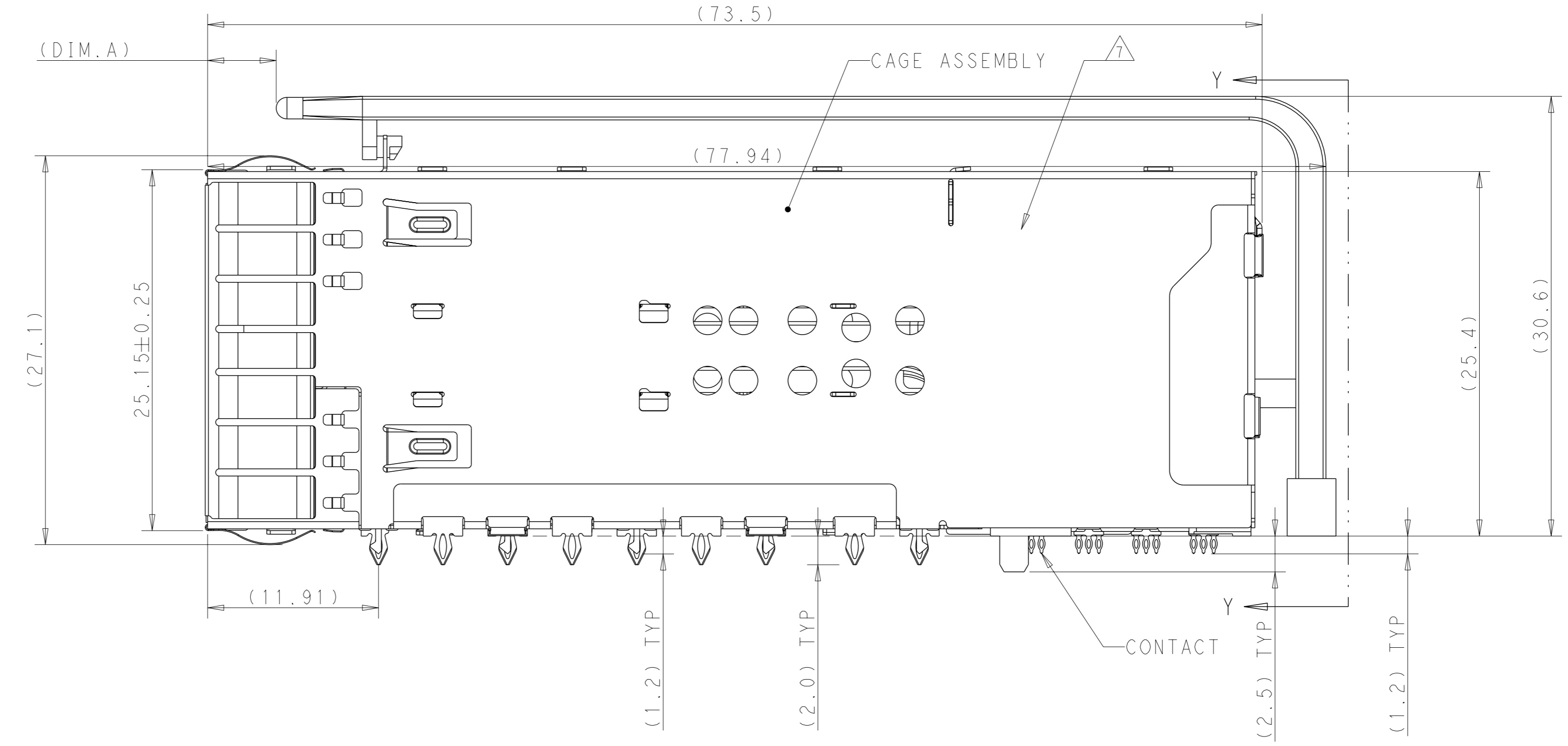


LOC	DIST	REVISIONS			
GP	00	#	DATE	BY	APPV
		D	14OCT2020	RM	SH
		D1	04JAN2021	SH	SZ
		D9	08MAY2023	RY	SZ



238171-1 AS SHOWN

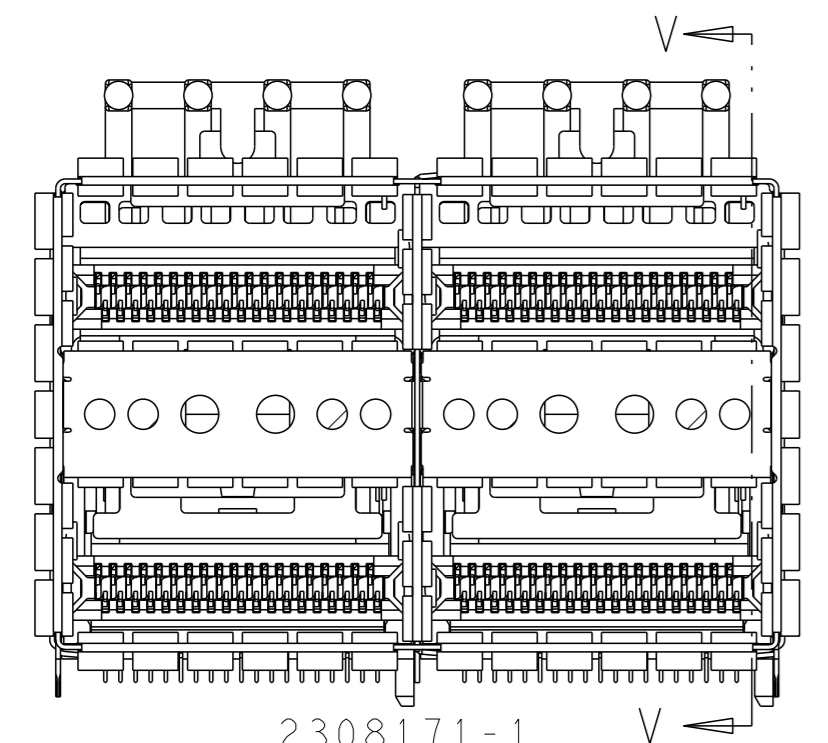


- MATERIALS:
 CAGE ASSEMBLY- NICKEL SILVER ALLOY PER ASTM B 122.
 EMI SPRING- COPPER ALLOY, NICKEL PLATED.
 HOUSING- POLYESTER LCP WITH 94V-0.
 CHICKLET- POLYESTER LCP WITH 94V-0.
 CONTACT- COPPER ALLOY.
 LIGHTPIPE- POLYCARBONATE WITH 94V-0.
- ⚠ CONTACT FINISH: 0.76µm MIN GOLD ON MATING AREA, 0.7-1.5µm MATT TIN ON COMPLIANT AREA, ALL OVER 1.27µm MIN NICKEL.
 - ⚠ DATUM AND BASIC DIMENSION ESTABLISHED BY CUSTOMER.
 - 4. MINIMUM PCB THICKNESS OF 3.0 FOR BELLY TO BELLY APPLICATION.
 - ⚠ THE ENTIRE AREA OF THE CONNECTOR FOOTPRINT, INDICATED BY THE DASHED LINE, TO BE CONSIDERED THE KEEPOUT AREA FOR COMPONENTS AND TRACES.
 - ⚠ CROSS-HATCHED AREAS REPRESENT ZONES ON THE PCB THAT COME IN CONTACT WITH OR BE IN CLOSE PROXIMITY TO THE PLASTIC HOUSING OR THE CONNECTOR CAGE. INDICATED AREAS TO BE CONSIDERED TRACE FREE.
 - ⚠ PART NUMBER AND DATE CODE MADE IN APPROXIMATE AREA SHOWN.
 - ⚠ HATCHED AREA IS PLACEMENT ZONE FOR LED. LED SHOULD BE CENTERED WITHIN ZONE. RECOMMEND 0805 PACKAGE.

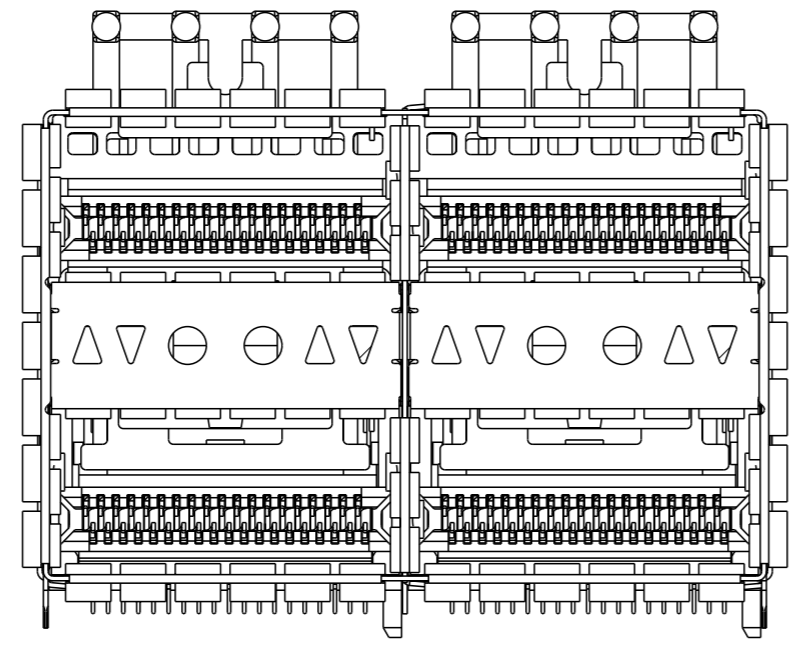
THIS DRAWING IS A CONTROLLED DOCUMENT.		OWN TIM XUE 17AUG2016	TE Connectivity NAME zQSFP+ 2X2 4 INTERNAL LIGHT PIPES WITH EMI SPRING FINGERS BELLY TO BELLY APPLICATION PRODUCT SPEC 108-60102 APPLICATION SPEC 114-60015 WEIGHT - SCALE 1:1
DIMENSIONS:		CHK SEAN HAN 17AUG2016	
TOLERANCES UNLESS OTHERWISE SPECIFIED:		APVD SEAN HAN 17AUG2016	
MATERIAL SEE NOTE 1		FINISH SEE NOTE 2	
SIZE A1		CAGE CODE 00779	DRAWING NO. 2308171
CUSTOMER DRAWING		SHEET 1 OF 11 REV D9	

Printed on 22 May 2023 11:04 (China Standard Time) from TE44218

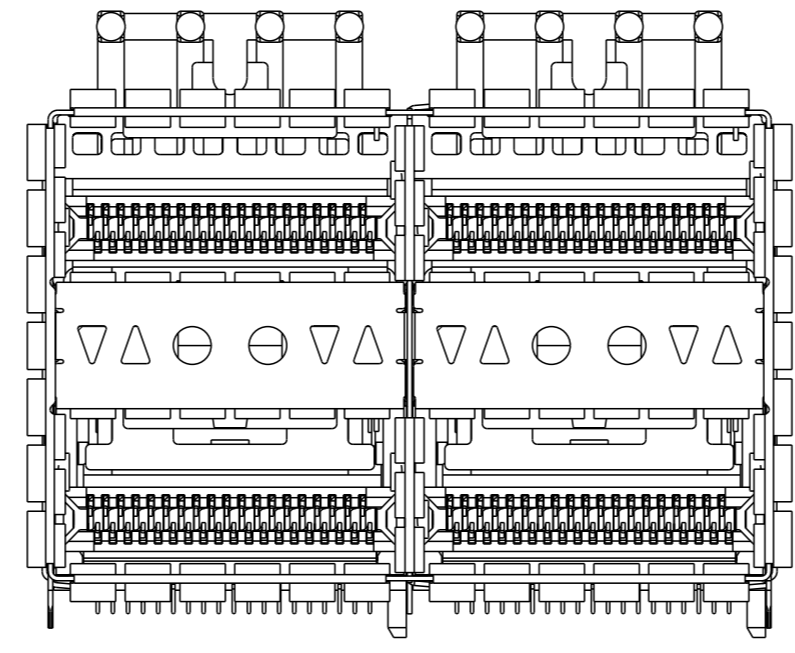
LOC	DIST	REVISIONS				
GP	00	REV	DESCRIPTION	DATE	OWN	APVD
		-	SEE SHEET 1			



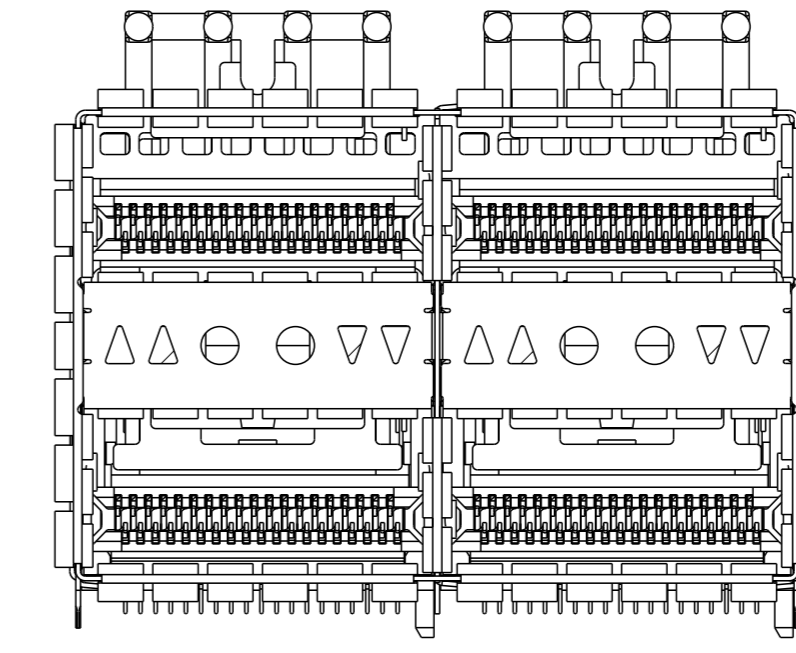
2308171-1
2308171-7
1-2308171-0
3-2308171-0
ALL ROUND INDICATOR, 4LP
SCALE 5:2



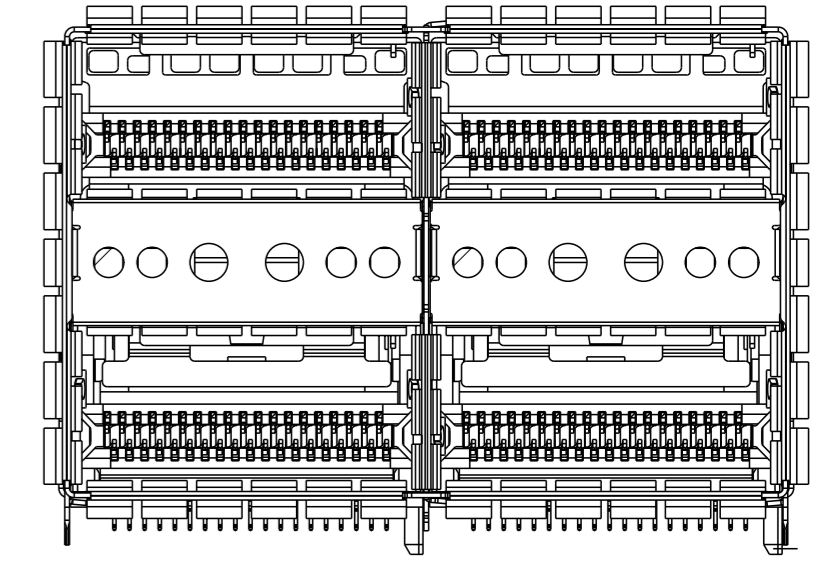
2308171-2
LEFT INDICATOR UP
SCALE 5:2



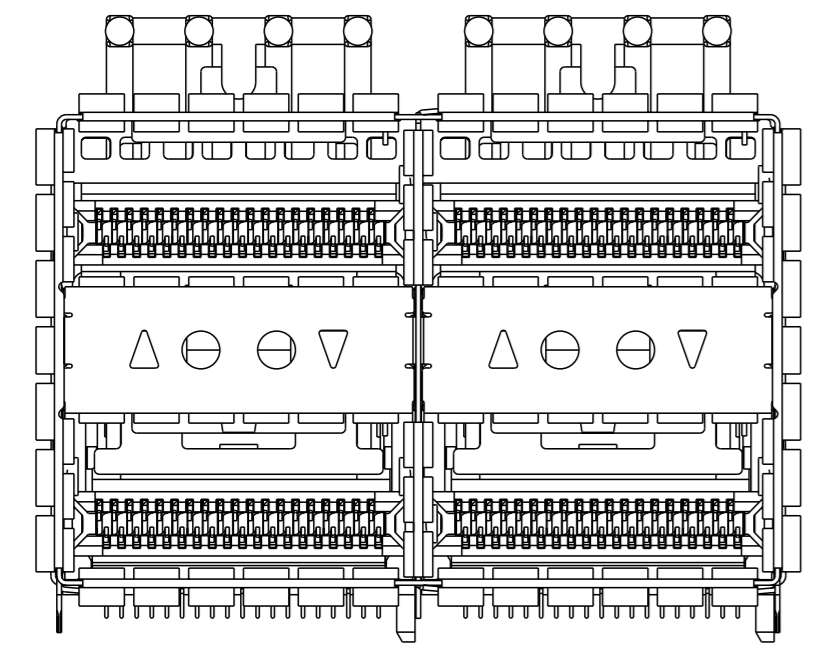
2308171-3
LEFT INDICATOR DOWN
SCALE 5:2



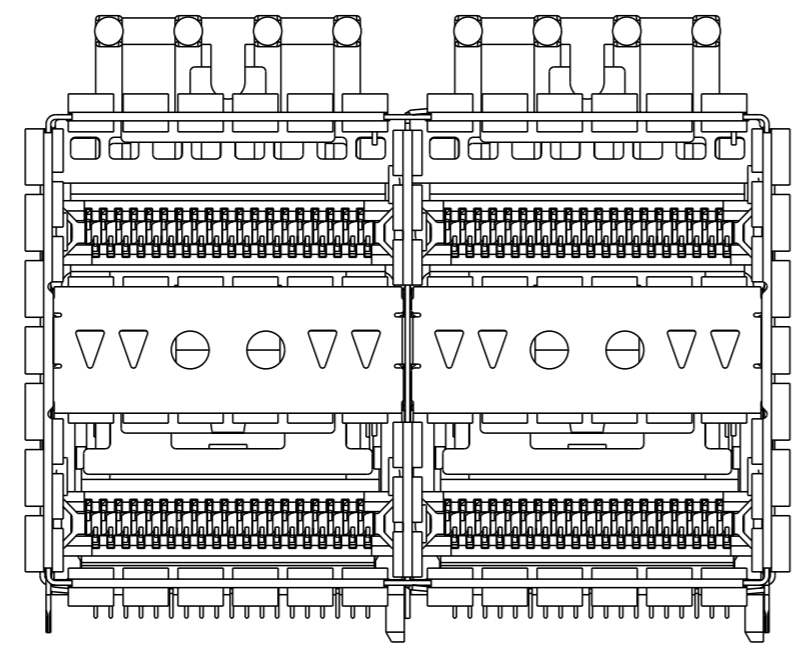
2308171-4
LEFT INDICATOR UP
SCALE 5:2



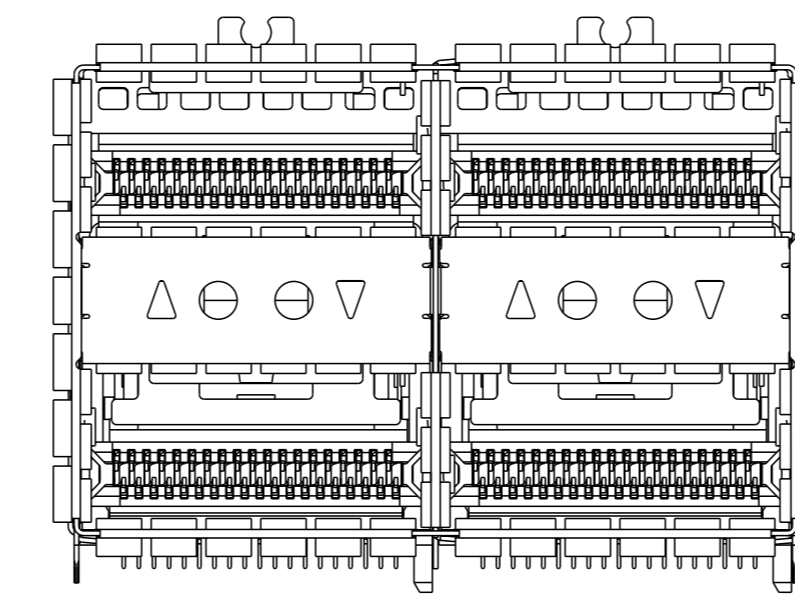
1-2308171-2
ALL ROUND INDICATOR
SCALE 5:2



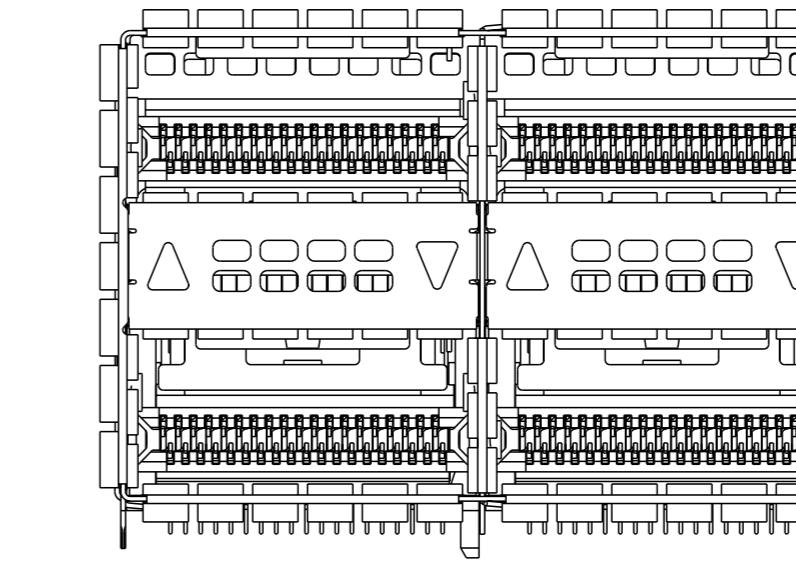
2308171-5
LEFT INDICATORS UP(2 LIGHT PIPES)
SCALE 5:2



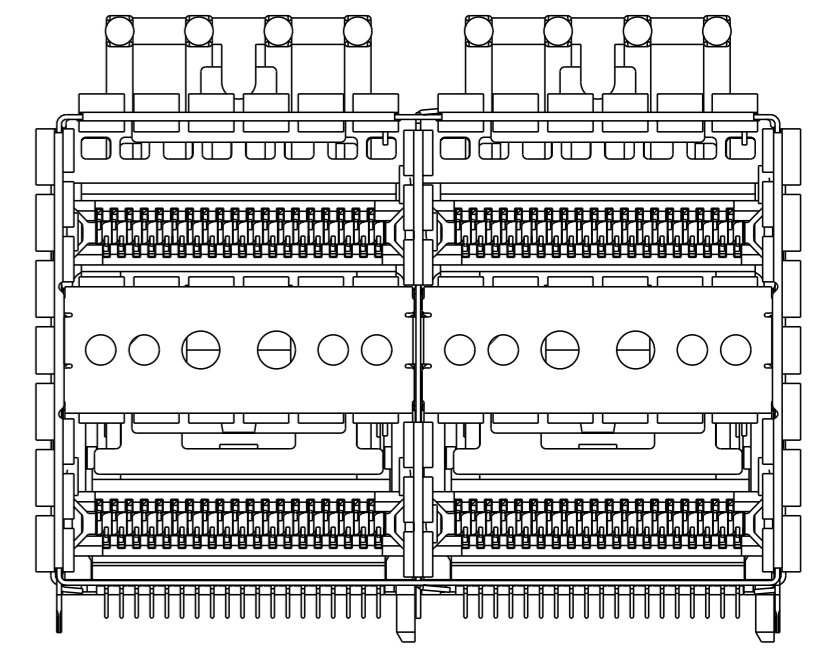
2308171-6
ALL INDICATORS DOWN
SCALE 5:2



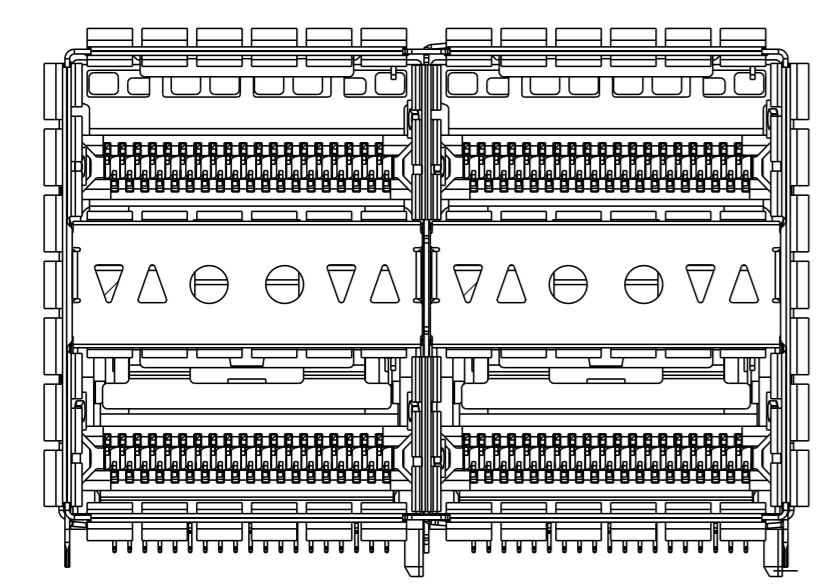
2308171-8
W/O TOP LIGHT PIPE
SCALE 5:2



2308171-9
W/O TOP LIGHT PIPE
SCALE 5:2

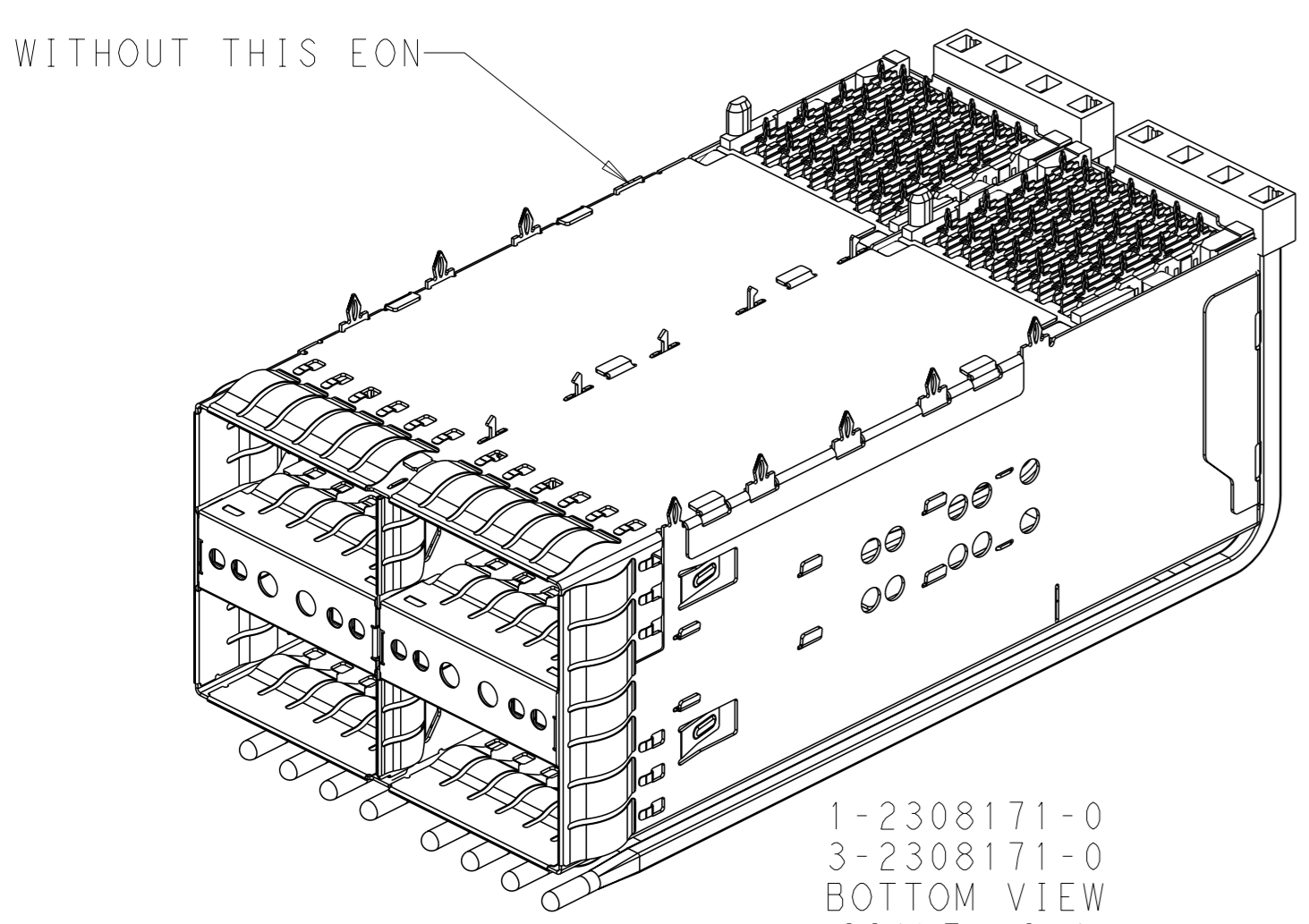


1-2308171-1
3-2308171-1
ALL ROUND INDICATOR, 4LP
WITHOUT BOTTOM EMI SPRINGS
SCALE 5:2

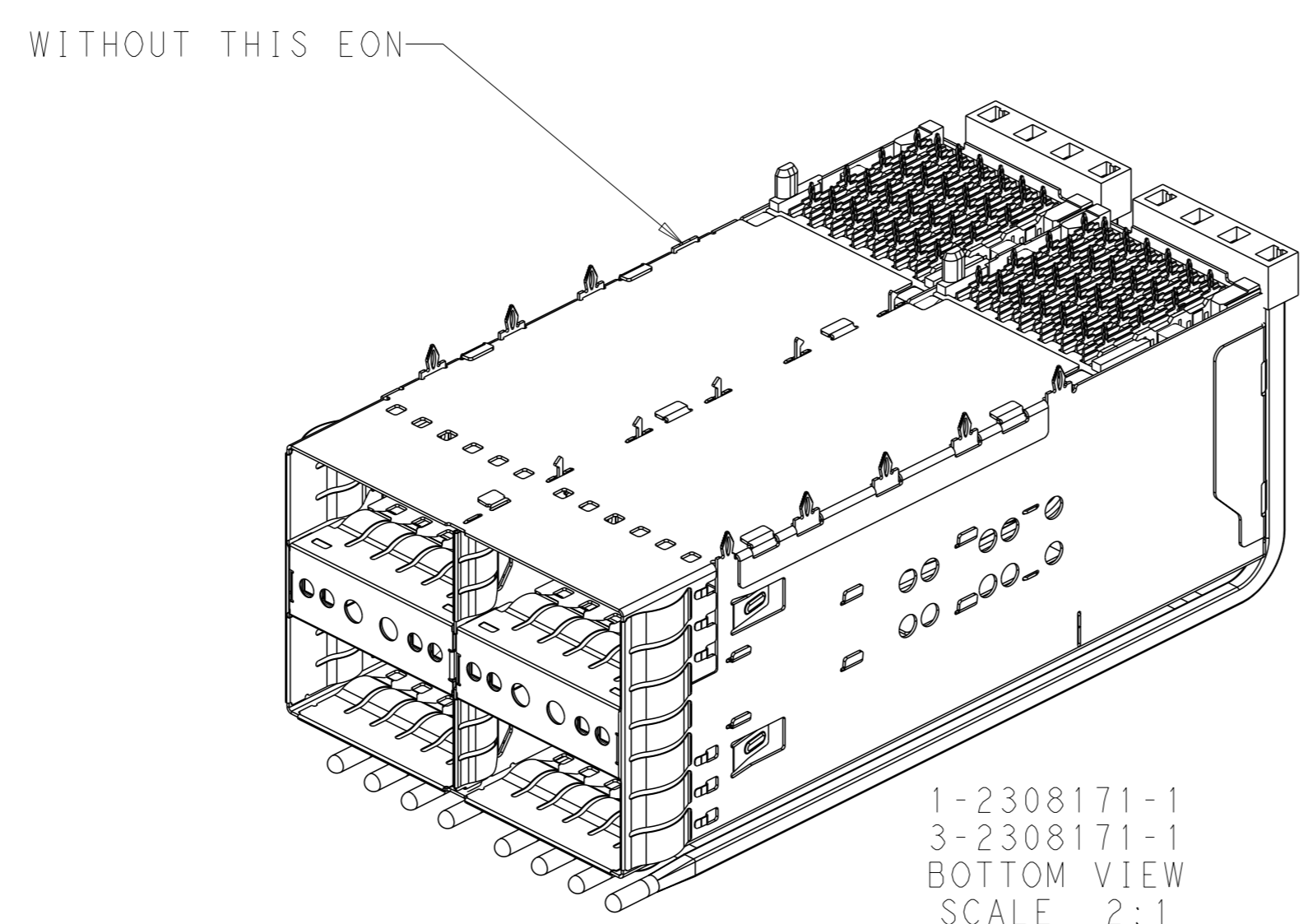


1-2308171-3
LEFT INDICATOR DOWN
SCALE 5:2

REMARK	DIM. A	CONTACT FINISH	DESCRIPTION	PART NUMBER
W/O ORGANIZER, W/O TOP LP	N/A	2	LEFT INDICATOR DOWN, 4LP	1-2308171-3
W/ ORGANIZER, UNCOATED LP	0.1	2	ALL ROUND INDICATOR, 4LP	3-2308171-1
W/ ORGANIZER, UNCOATED LP	0.1	2	ALL ROUND INDICATOR, 4LP	3-2308171-0
W/O ORGANIZER, W/O TOP LP	N/A	2	NO INTERNAL LP	2-2308171-2
W/ ORGANIZER, UNCOATED LP	N/A	2	NO INTERNAL LP	2-2308171-1
W/ ORGANIZER, UNCOATED LP	N/A	2	NO INTERNAL LP	2-2308171-0
W/O ORGANIZER, W/O TOP LP	N/A	2	ALL ROUND INDICATOR NO INTERNAL LP, WITH INTERNAL HS	1-2308171-4
W/O ORGANIZER, W/O TOP LP	N/A	2	ALL ROUND INDICATOR	1-2308171-2
W/ ORGANIZER, UNCOATED LP	1.6	2	ALL ROUND INDICATOR, 4LP	1-2308171-1
W/ ORGANIZER, UNCOATED LP	1.6	2	ALL ROUND INDICATOR, 4LP	1-2308171-0
W/O ORGANIZER, W/O TOP LP	N/A	2	LEFT INDICATOR UP, 2LP	2308171-9
W/O ORGANIZER, W/O TOP LP	N/A	2	LEFT INDICATOR UP, 2LP	2308171-8
W/O ORGANIZER, UNCOATED LP	1.6	2	ALL ROUND INDICATOR, 4LP	2308171-7
W/ ORGANIZER, UNCOATED LP	1.6	2	ALL INDICATOR DOWN, 4LP	2308171-6
W/O ORGANIZER, UNCOATED LP	4.8	2	LEFT INDICATOR UP, 2LP	2308171-5
W/O ORGANIZER, UNCOATED LP	4.8	2	LEFT INDICATOR UP, 4LP	2308171-4
W/O ORGANIZER, UNCOATED LP	4.8	2	LEFT INDICATOR DOWN, 4LP	2308171-3
W/O ORGANIZER, UNCOATED LP	4.8	2	LEFT INDICATOR UP, 4LP	2308171-2
W/ ORGANIZER, UNCOATED LP	4.8	2	ALL ROUND INDICATOR, 4LP	2308171-1



1-2308171-0
3-2308171-0
BOTTOM VIEW
SCALE 2:1



1-2308171-1
3-2308171-1
BOTTOM VIEW
SCALE 2:1

THIS DRAWING IS A CONTROLLED DOCUMENT.

OWN: TIM XUE 17AUG2016
CHK: SEAN HAN 17AUG2016
APVD: SEAN HAN 17AUG2016

NAME: zQSF+ 2X2 4 INTERNAL LIGHT PIPES WITH EMI SPRING FINGERS BELLY TO BELLY APPLICATION

PRODUCT SPEC: 108-60102
APPLICATION SPEC: 114-60015

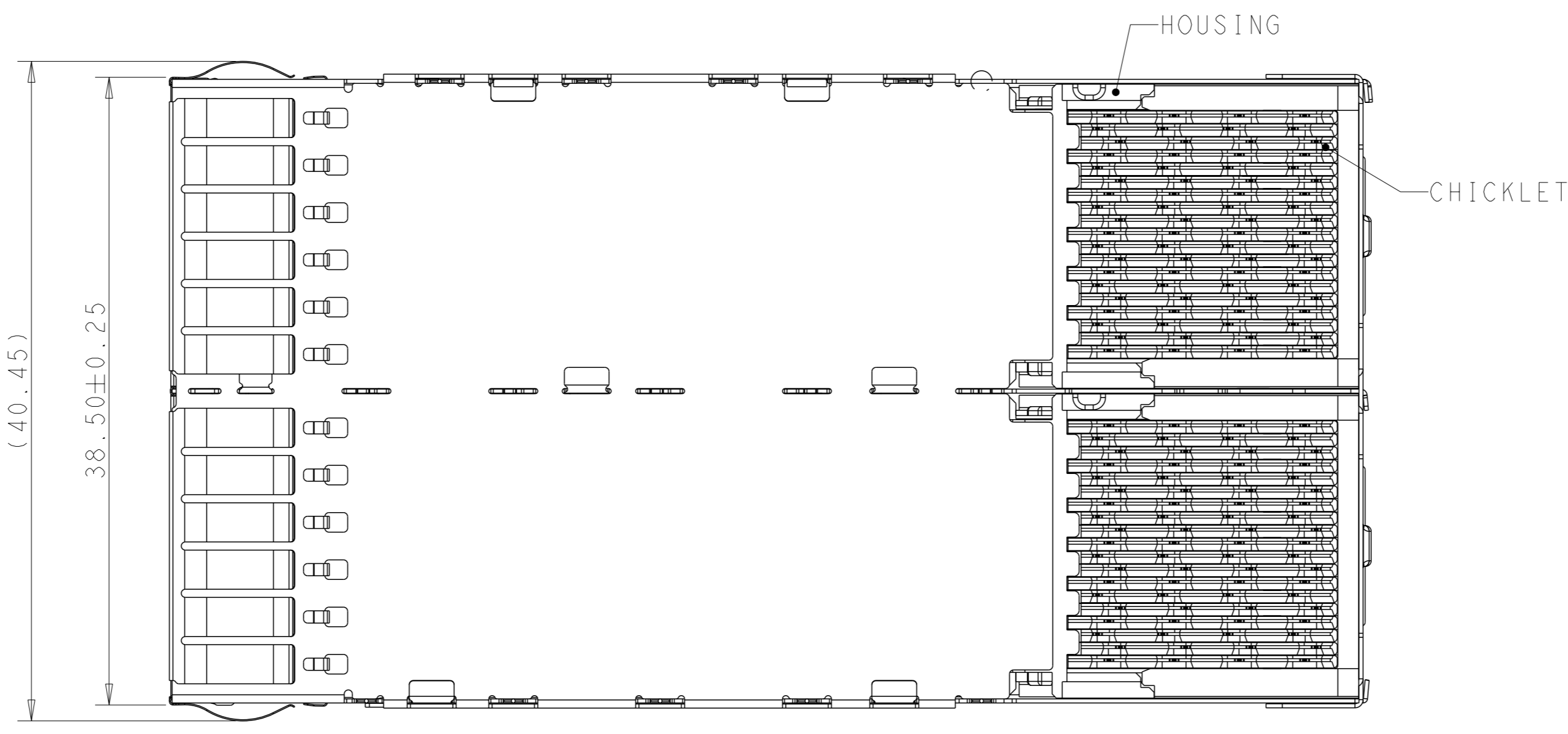
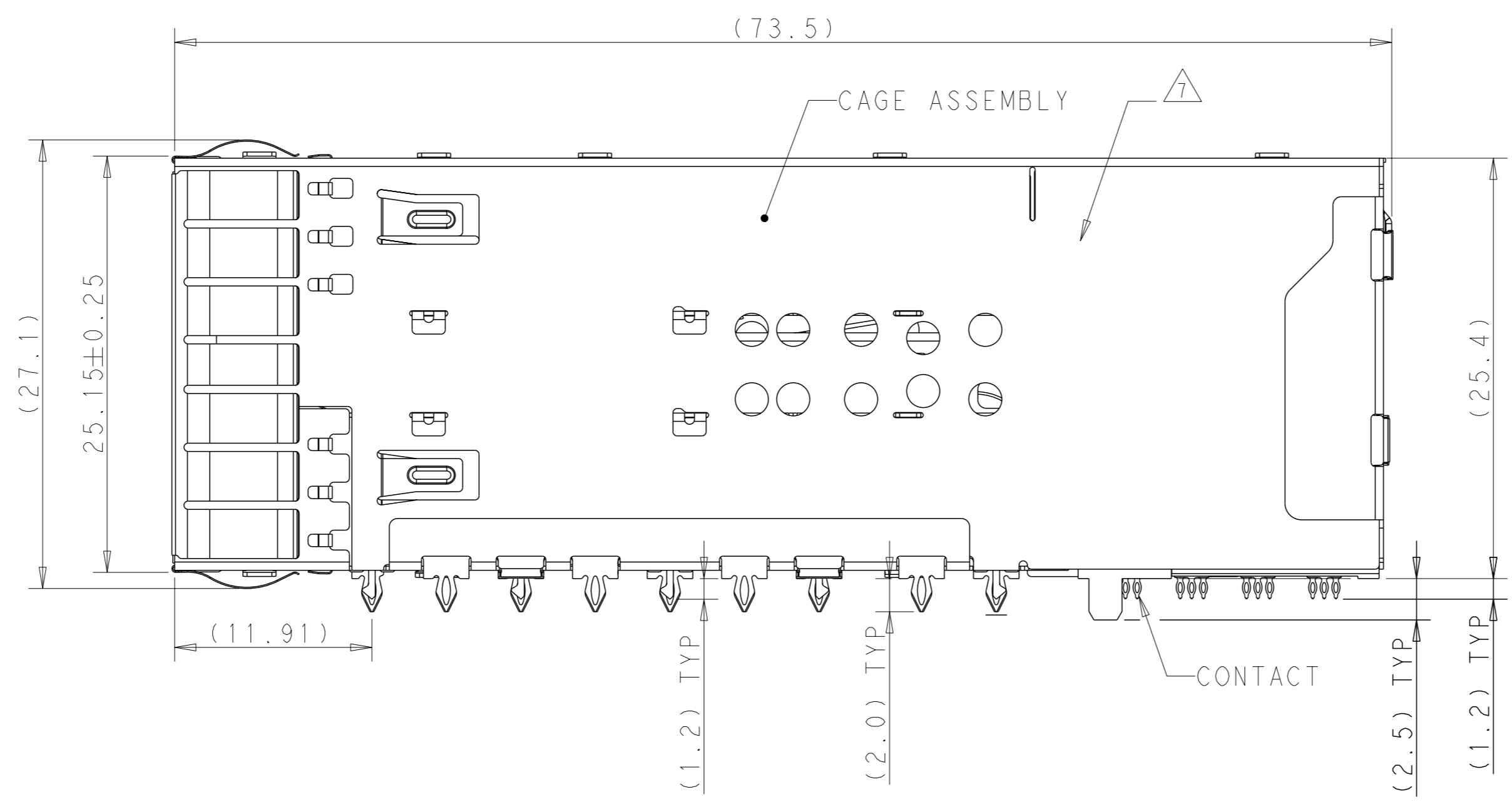
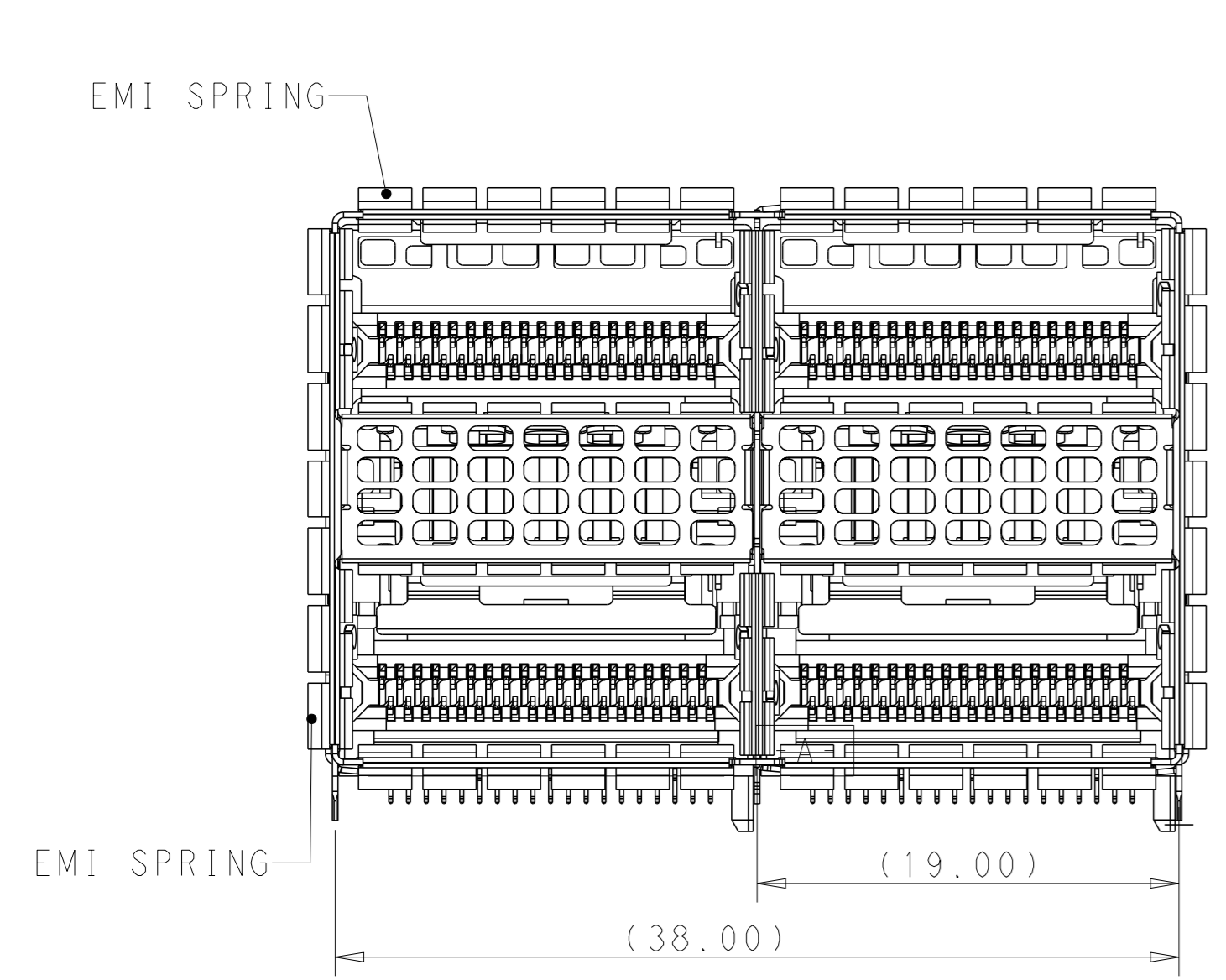
SIZE: 114-60015
CAGE CODE: 100779
DRAWING NO: 2308171

RESTRICTED TO: A1

SCALE: 1:1 SHEET 2 OF 11 REV D9

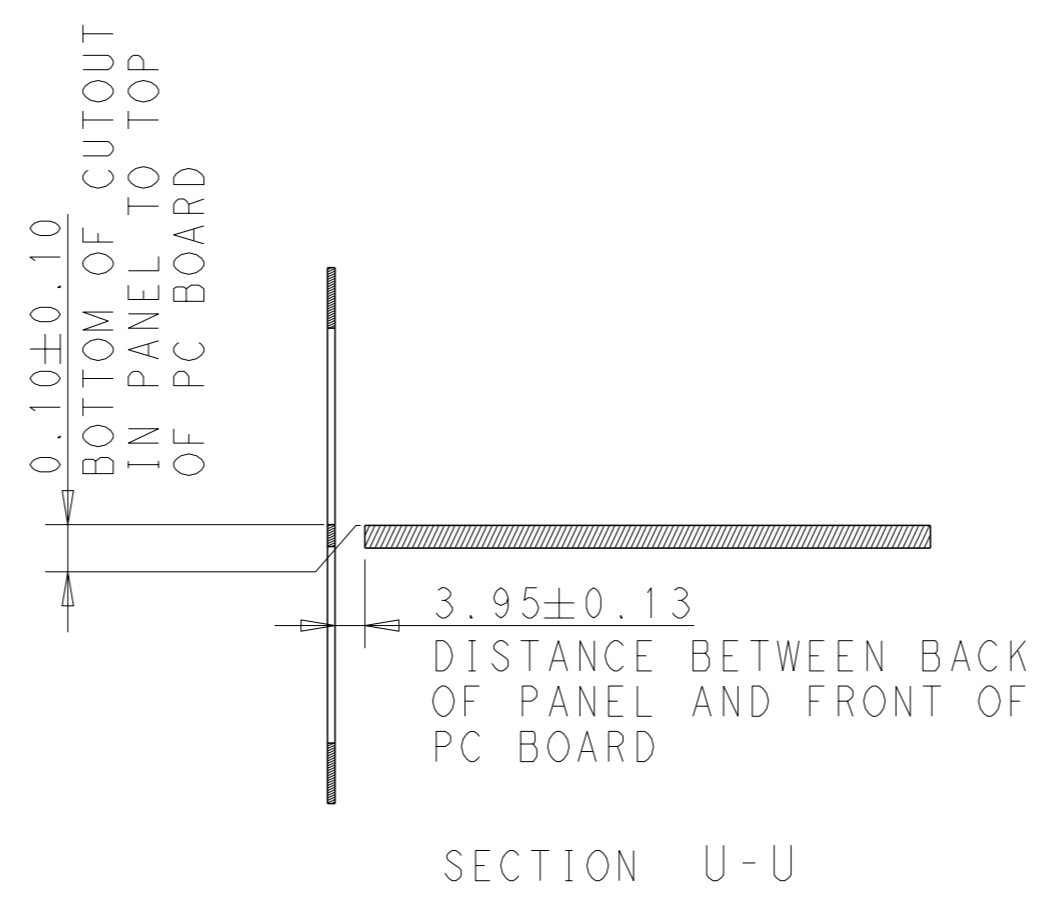
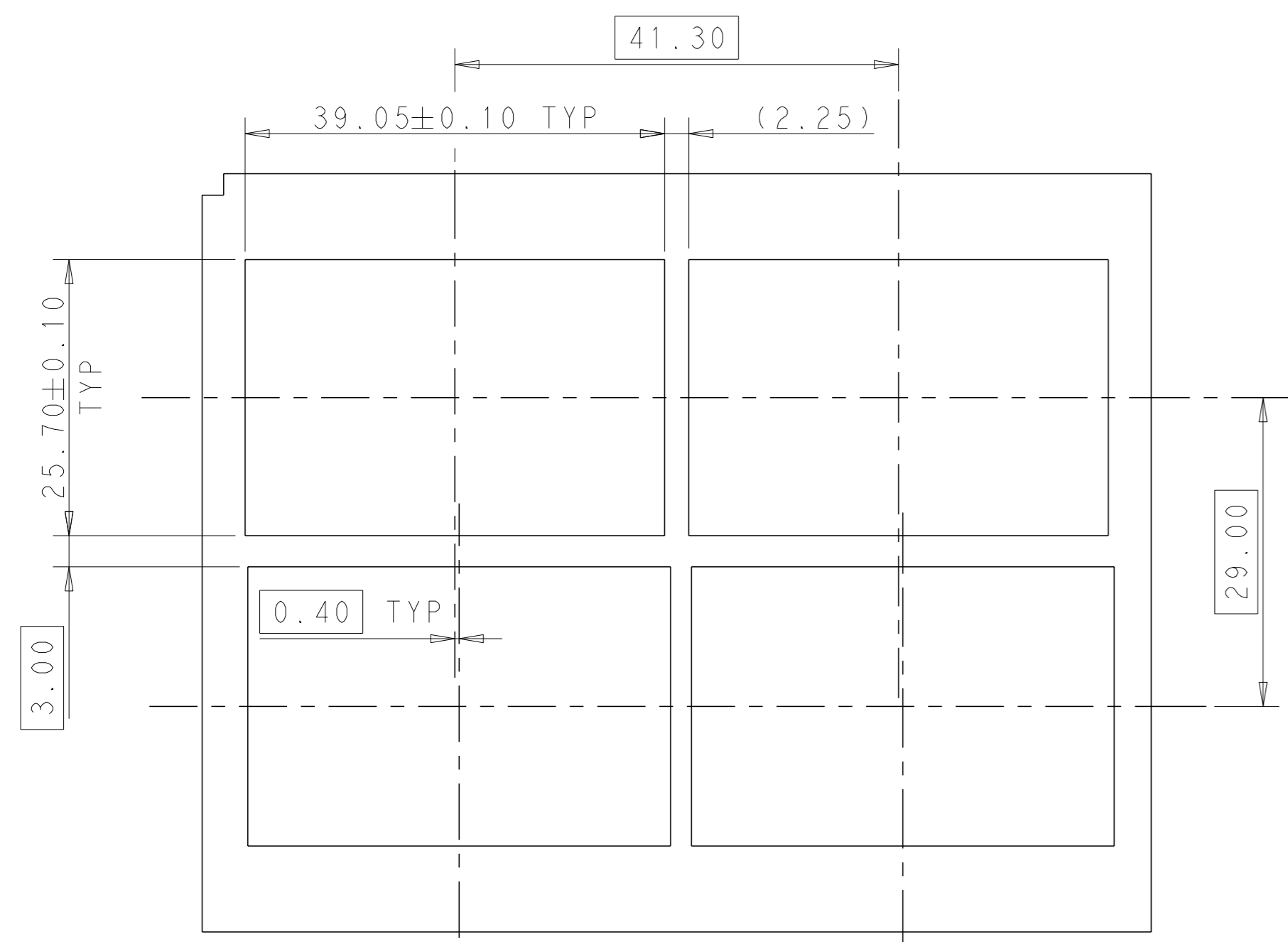
printed on 22-May-2023 11:04 China Standard Time from 1E444218

LOC	DIST	REVISIONS			
GP	00	REV	DATE	OWN	APPV
		1			
		2			
		3			
		4			
		5			
		6			
		7			
		8			
		9			
		10			



1-2308171-4 PCB FOOTPRINT IS SHOWN IN THE NEXT PAGE

1-2308171-4 WITH INTERNAL HS OTHERS ARE THE SAME AS 2308171-1



1-2308171-4 PANEL CUTOUT SCALE 2:1

THIS DRAWING IS A CONTROLLED DOCUMENT.		OWN: TIM XUE 17AUG2016	STE TE Connectivity
DIMENSIONS: mm		CHK: SEAN HAN 17AUG2016	
TOLERANCES UNLESS OTHERWISE SPECIFIED:		APVD: SEAN HAN 17AUG2016	NAME: zQSFP+ 2X2 4 INTERNAL LIGHT PIPES WITH EMI SPRING FINGERS BELLY TO BELLY APPLICATION
0 PLC ±	1 PLC ±0.25	PRODUCT SPEC: 108-60102	SIZE: CAGE CODE DRAWING NO. RESTRICTED TO
2 PLC ±0.20	3 PLC ±	APPLICATION SPEC: 114-60015	A100779C=2308171
4 PLC ±	ANGLES ±	WEIGHT: -	SCALE: 1:1 SHEET 3 OF 11 REV D9
FINISH: -	SEE NOTE 1	SEE NOTE 2	CUSTOMER DRAWING

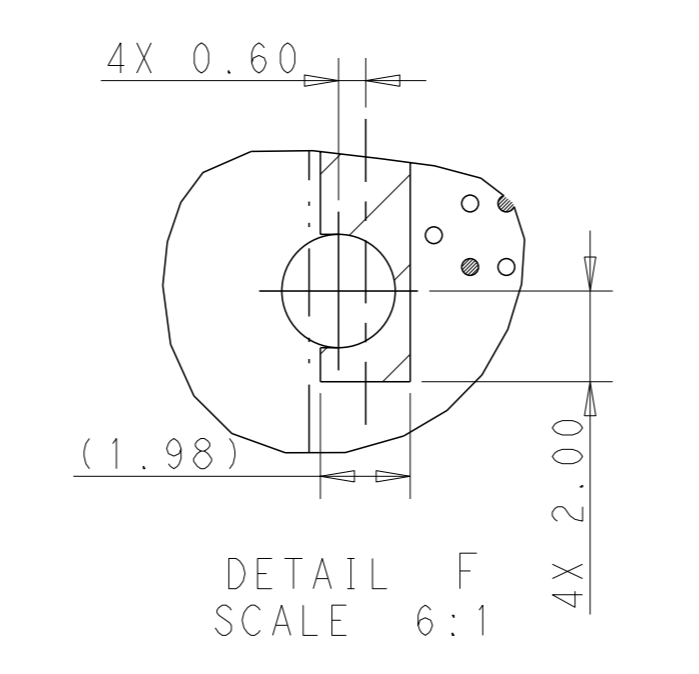
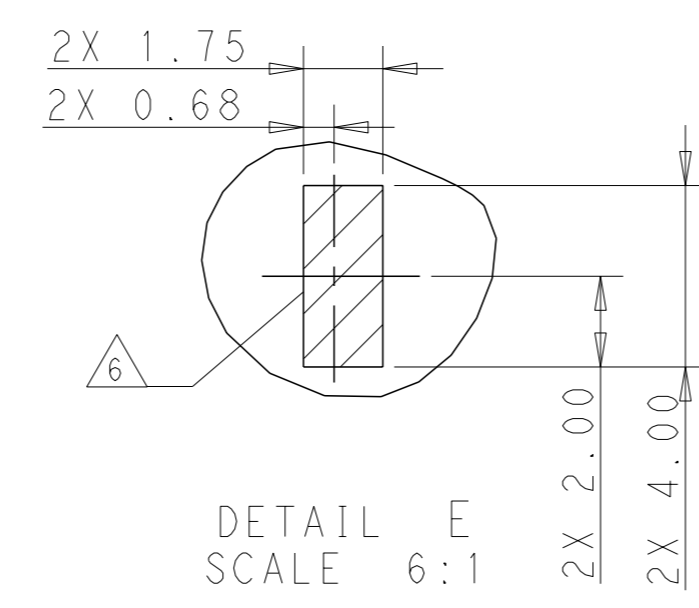
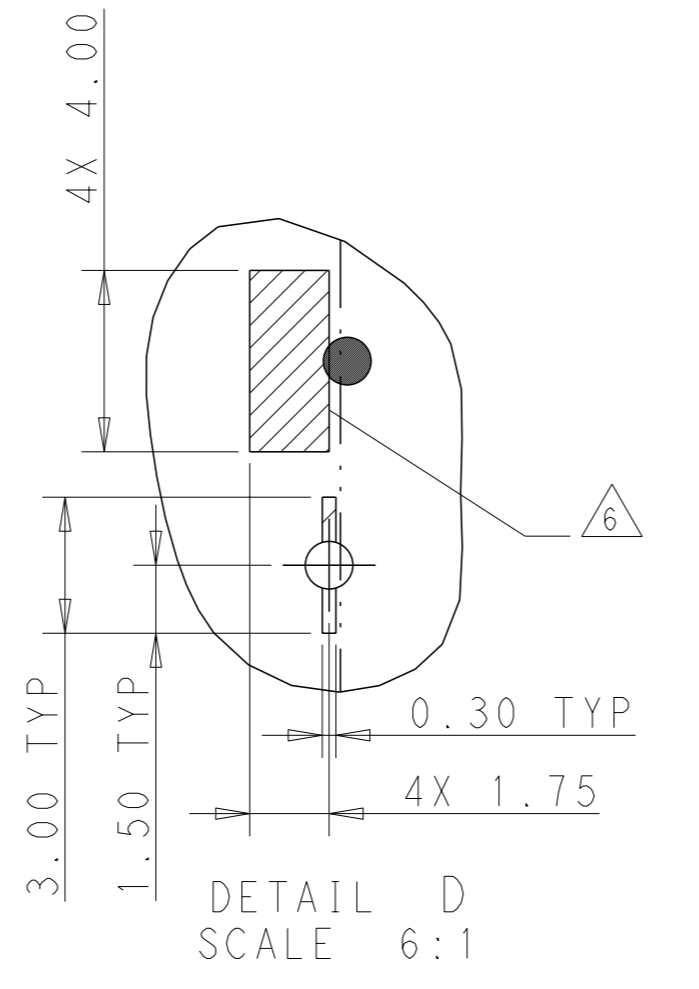
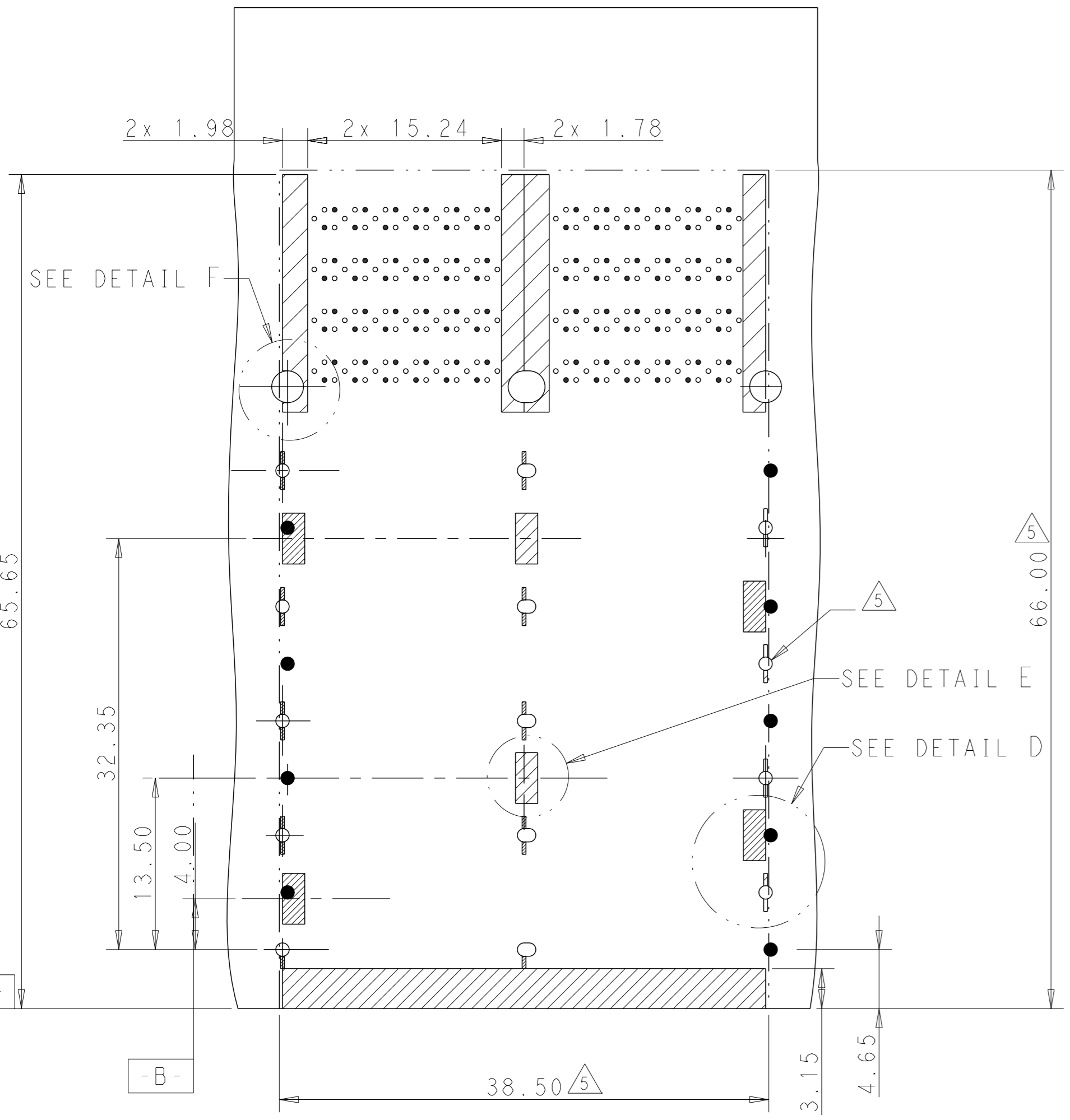
Printed on 22 May 2023 11:04 China Standard Time from TE44218

LOC	DIST	REVISIONS			
P	LYR	DESCRIPTION	DATE	OWN	APVD
GP	00	SEE SHEET 1	-	-	-

1-2308171-4 PCB FOOTPRINT

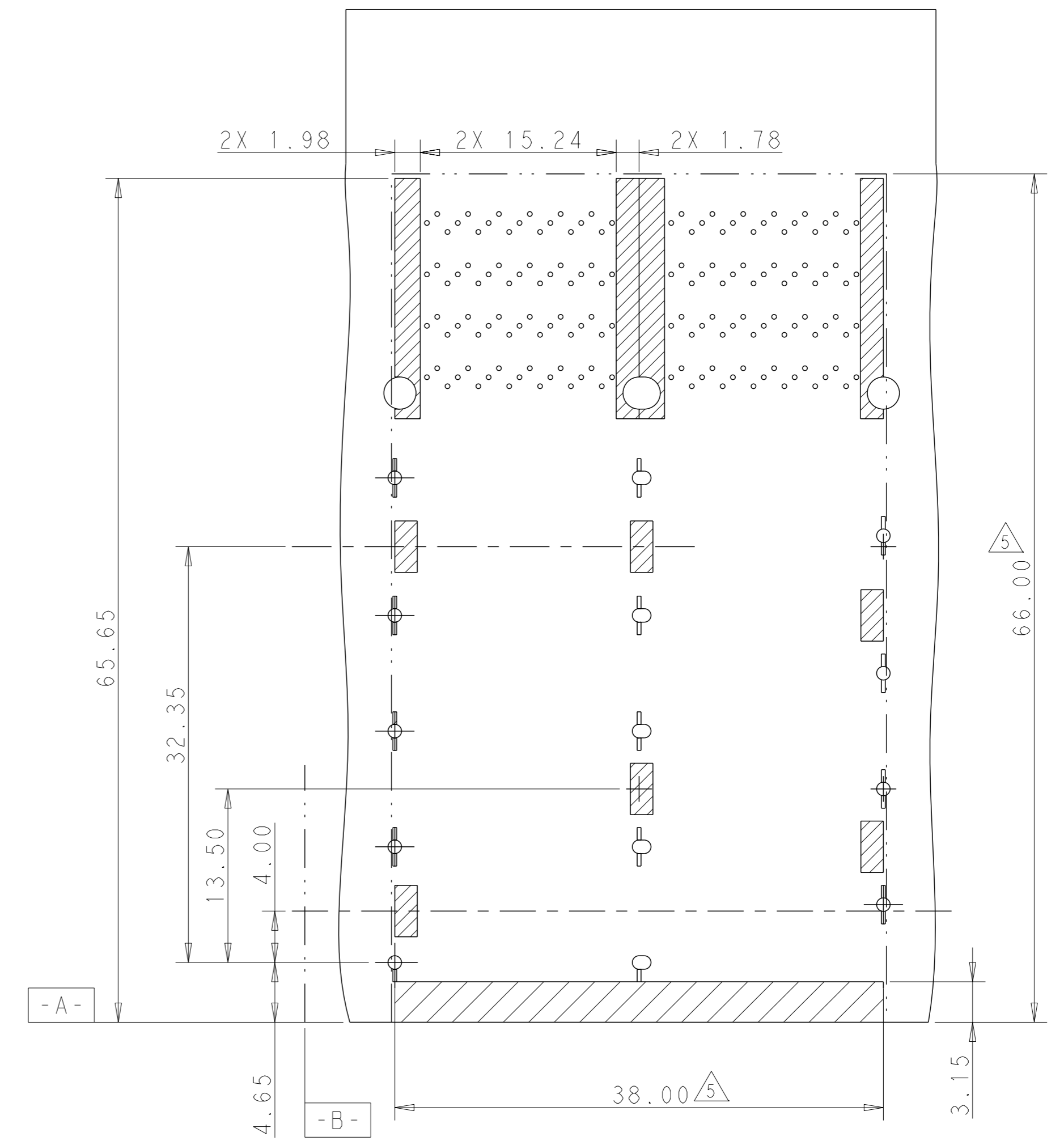
BELLY TO BELLY PCB APPLICATION

KEEP OUT AREAS OF 1-2308171-4
 PLS REFER TO PAGE 8 FOR OTHER DIMENSIONS OF PC BOARD
 TOP COMPONENT SIDE OF BOARD(PCB TOLERANCE ±0.05)
 SCALE 3:1



SINGLE PCB APPLICATION

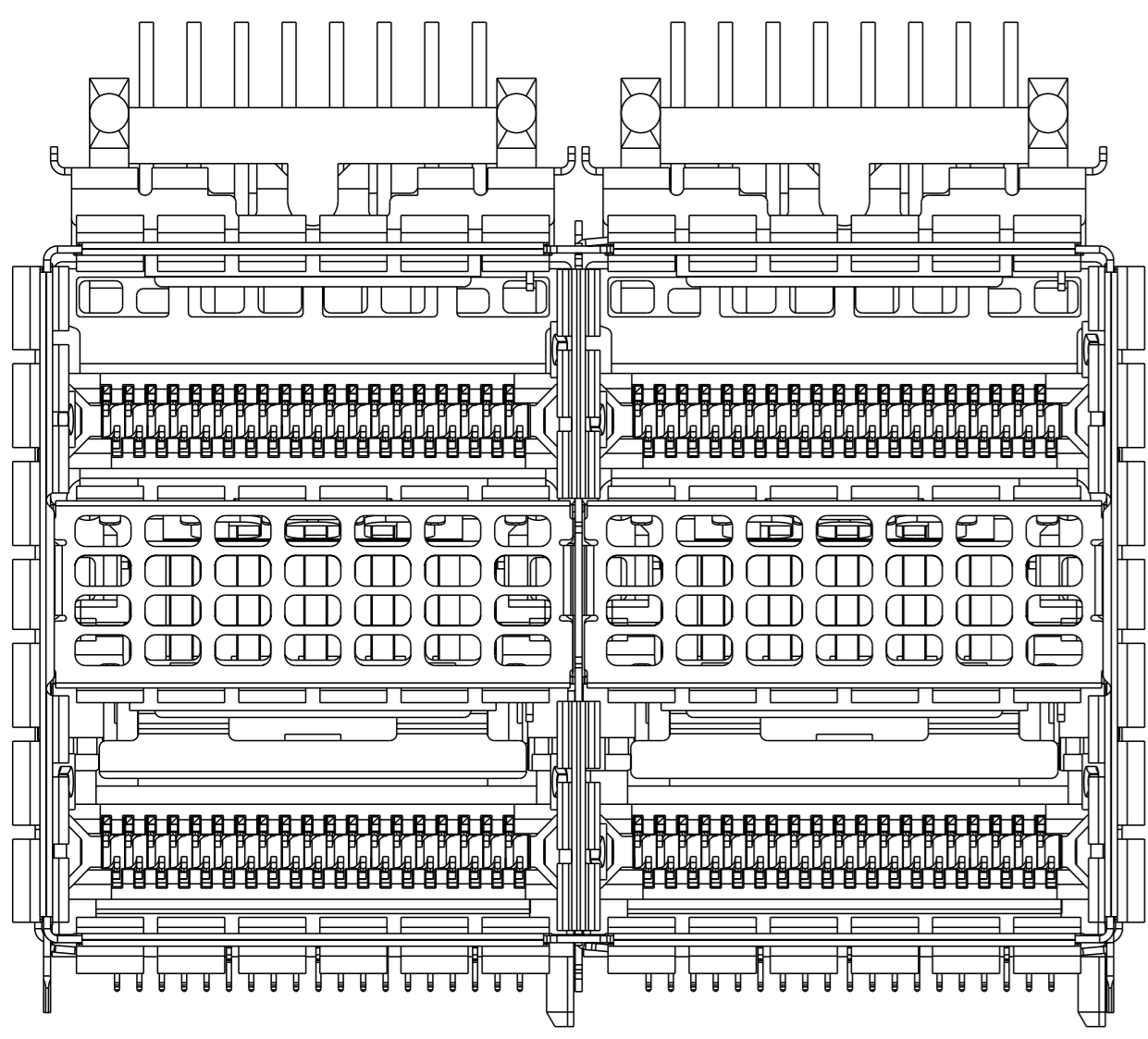
KEEP OUT AREAS OF 1-2308171-4 ARE THE SAME TO BELLY TO BELLY PCB APPLICATION SHOWN LEFT
 PLS REFER TO PAGE 8 FOR OTHER DIMENSIONS OF PC BOARD
 TOP COMPONENT SIDE OF BOARD(PCB TOLERANCE ±0.05)
 SCALE 3:1



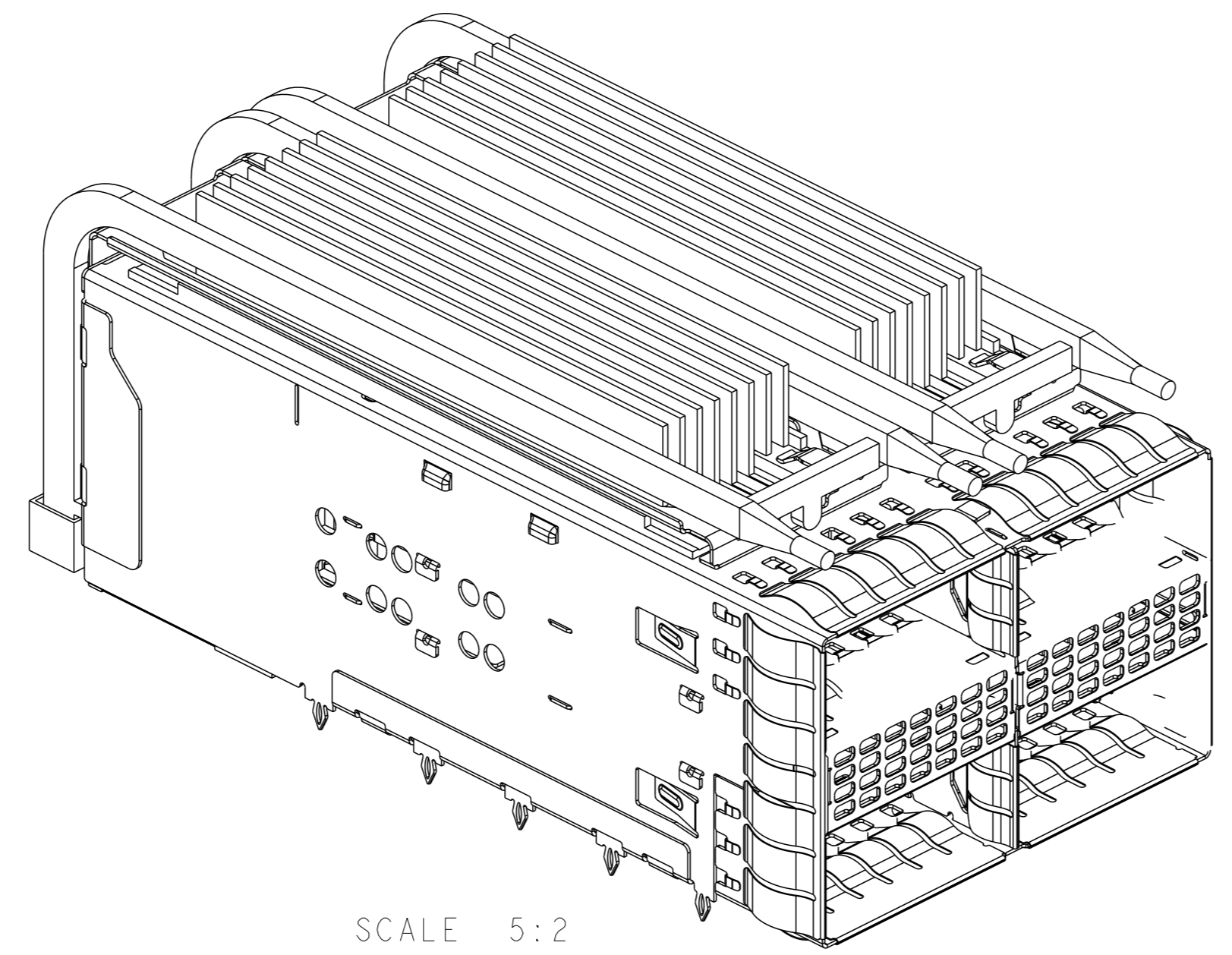
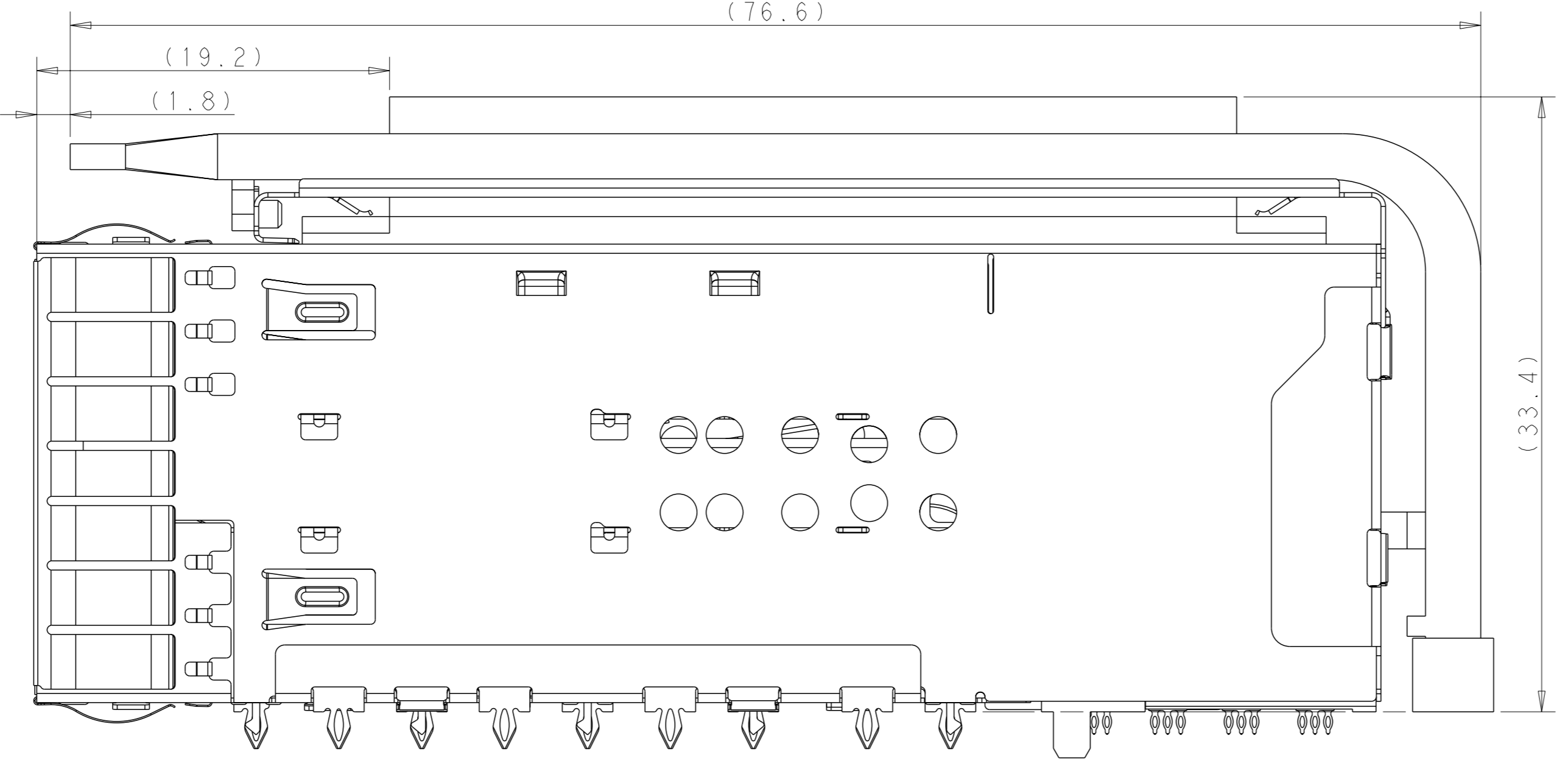
THIS DRAWING IS A CONTROLLED DOCUMENT.		OWN: TIM XUE 17AUG2016	TE Connectivity
DIMENSIONS: mm		CHK: SEAN HAN 17AUG2016	
TOLERANCES UNLESS OTHERWISE SPECIFIED:		APVD: SEAN HAN 17AUG2016	NAME: zQSFP+ 2X2 4 INTERNAL LIGHT PIPES WITH EMI SPRING FINGERS BELLY TO BELLY APPLICATION
0 PLC ±	1 PLC ±0.25	PRODUCT SPEC: 108-60102	SIZE: 114-60015
2 PLC ±0.20	3 PLC ±	APPLICATION SPEC: 114-60015	SCALE: 1:1
4 PLC ±	ANGLES ±	WEIGHT: -	SHEET 4 OF 11
MATERIAL: SEE NOTE 1	FINISH: SEE NOTE 2	CAGE CODE: A100779	DRAWING NO: C=2308171
CUSTOMER DRAWING		REV: D9	

2-2308171-0 AS SHOWN
 (76.6)

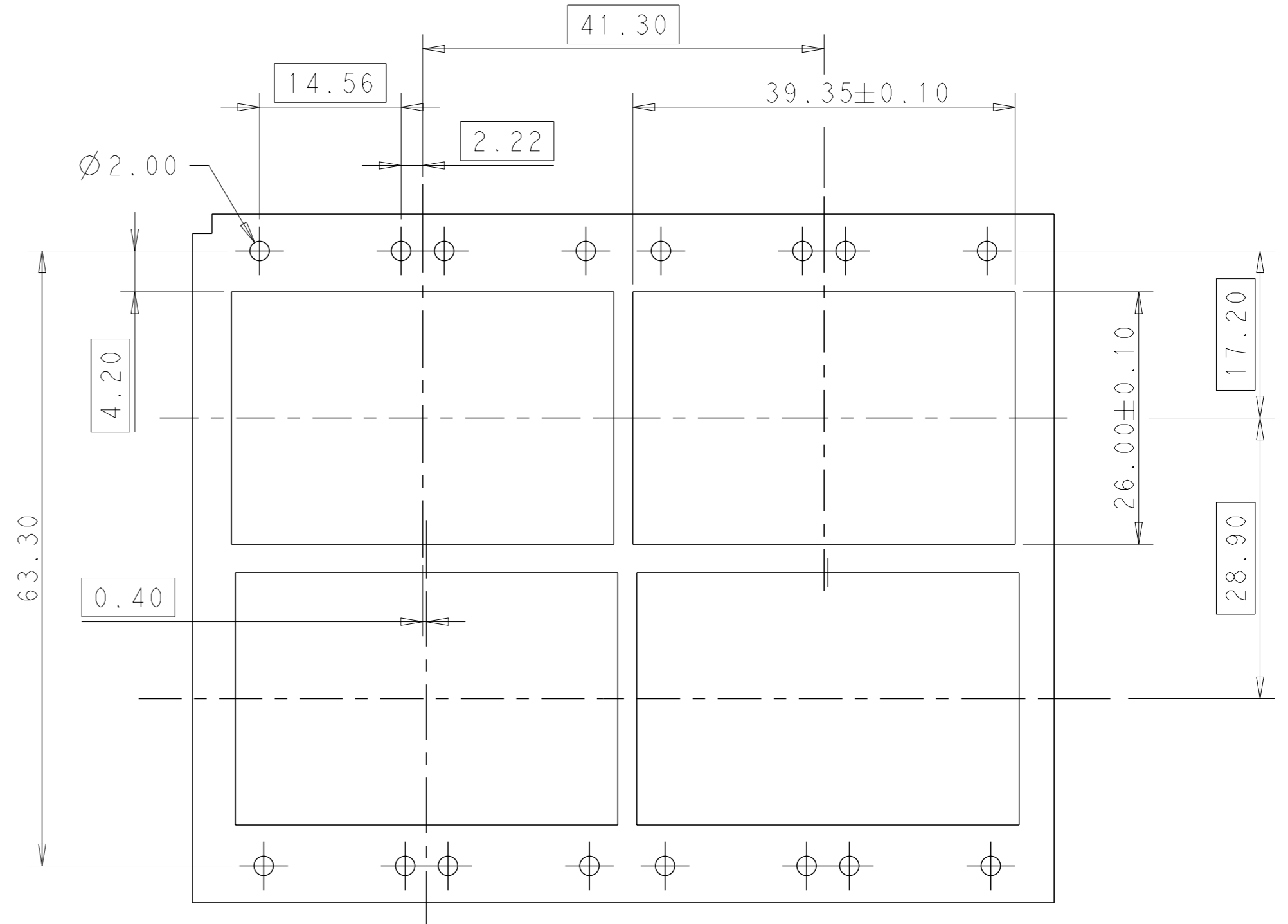
LOC		DIST		REVISIONS				
GP	00	P	LYR	DESCRIPTION	DATE	OWN	APVD	
		-		SEE SHEET 1	-	-	-	



2-2308171-0
 SCALE 4:1



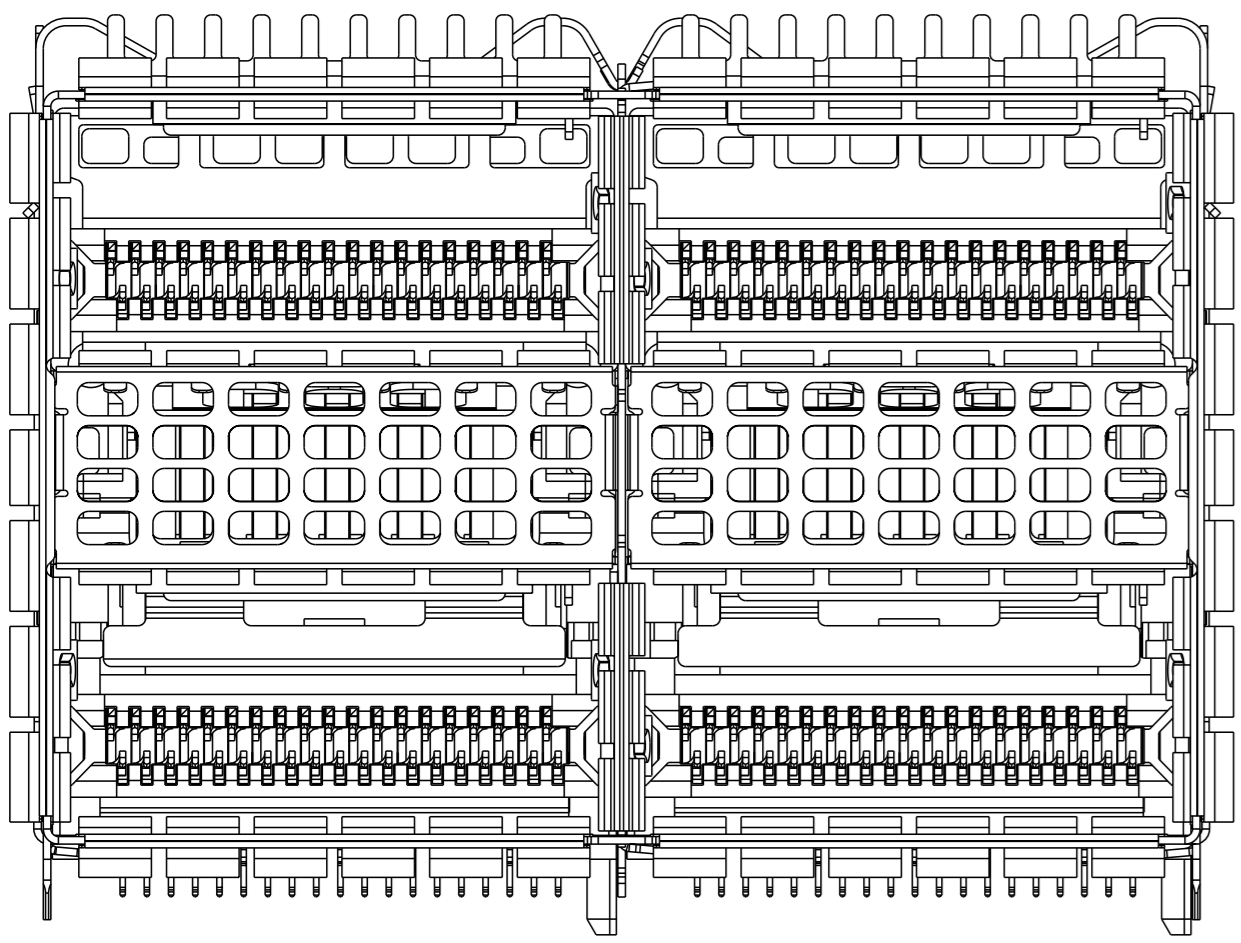
SCALE 5:2



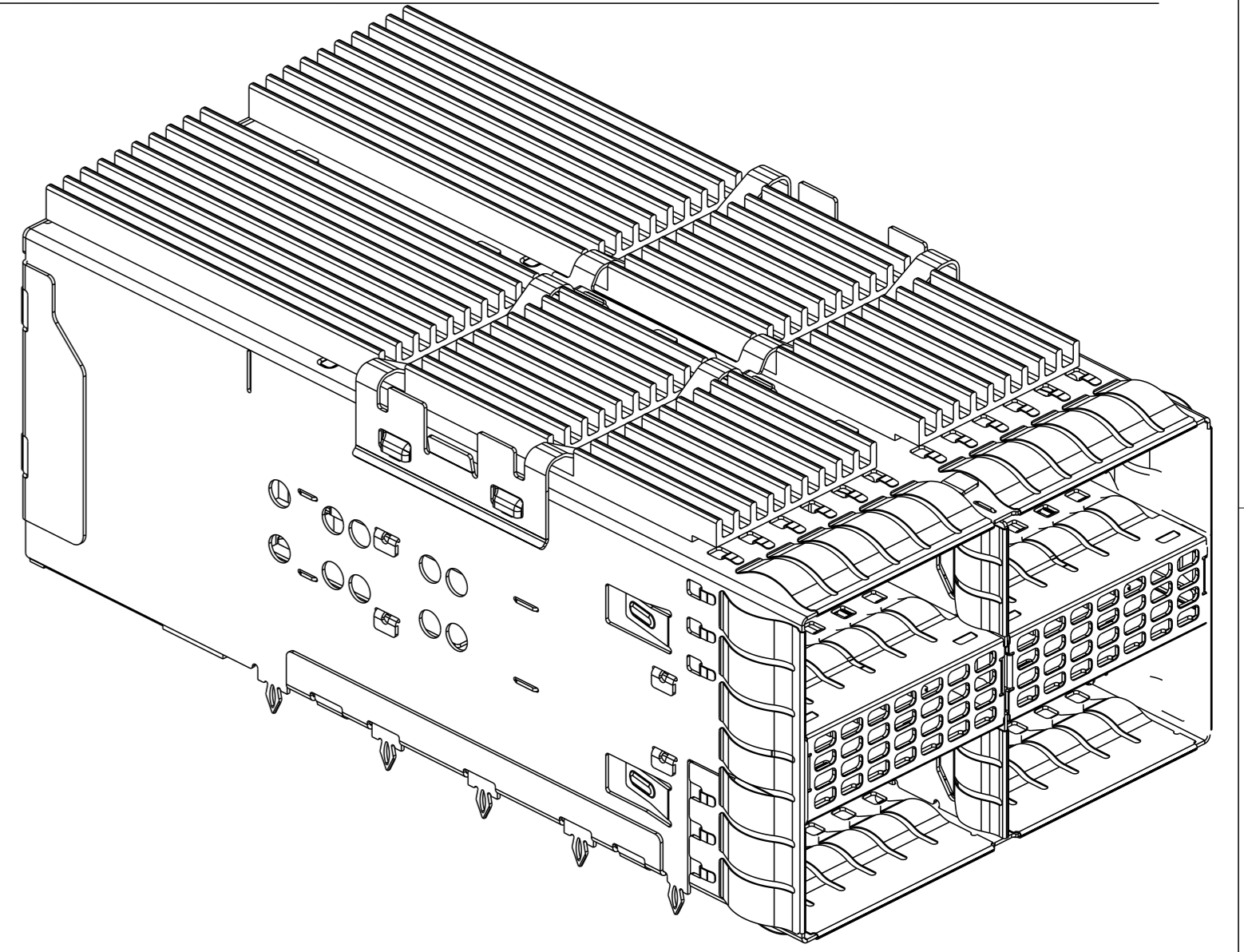
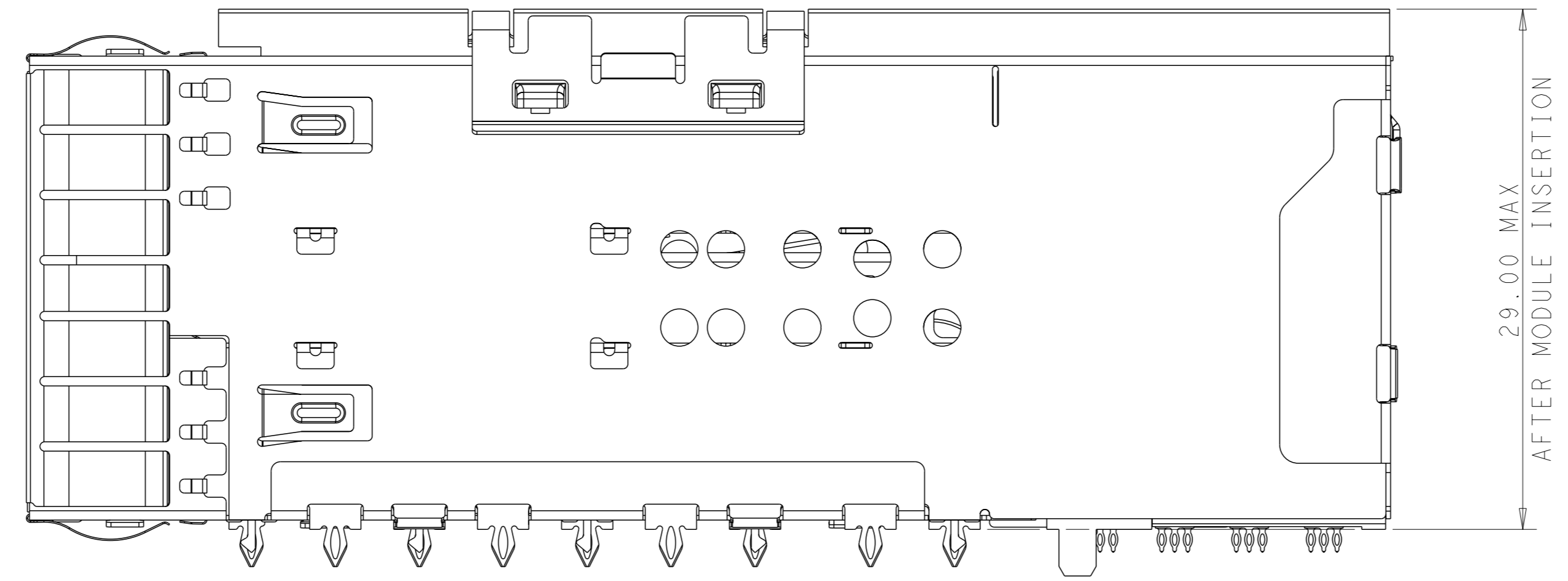
2-2308171-0 PANEL
 SCALE 2:1

2-2308171-2 AS SHOWN (INCLUDE TOP AND INTERNAL HEATSINK)

OTHERS ARE THE SAME AS 2-2308171-0.



SCALE 4:1



THIS DRAWING IS A CONTROLLED DOCUMENT. OWN: TIM XUE 17AUG2016
 CHK: SEAN HAN 17AUG2016
 APVD: SEAN HAN 17AUG2016

SCALE 5:2

TE Connectivity

zQSFP+ 2X2 4 INTERNAL LIGHT PIPES WITH EMI SPRING FINGERS BELLY TO BELLY APPLICATION

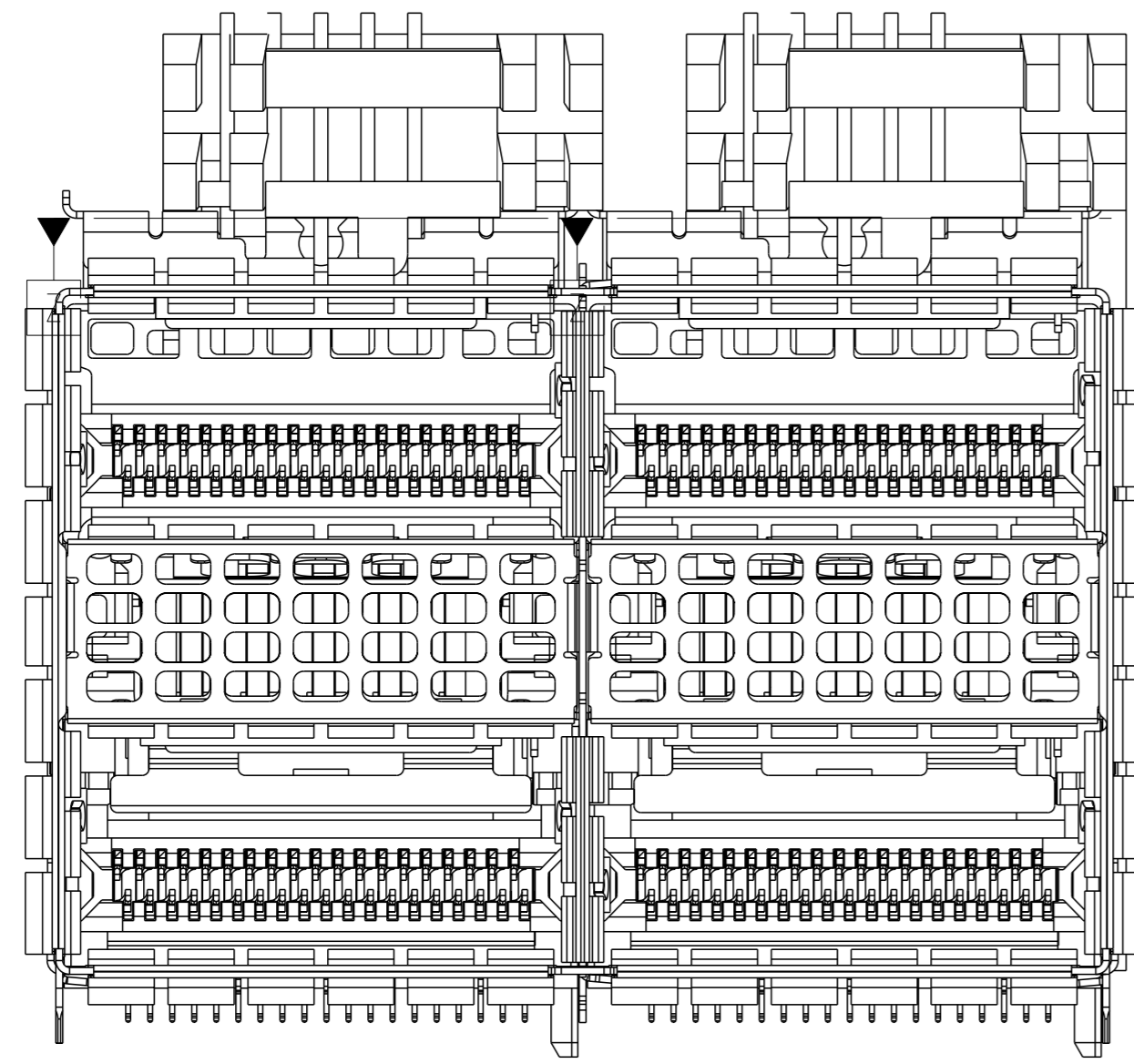
108-60102 APPLICATION SPEC

114-60015

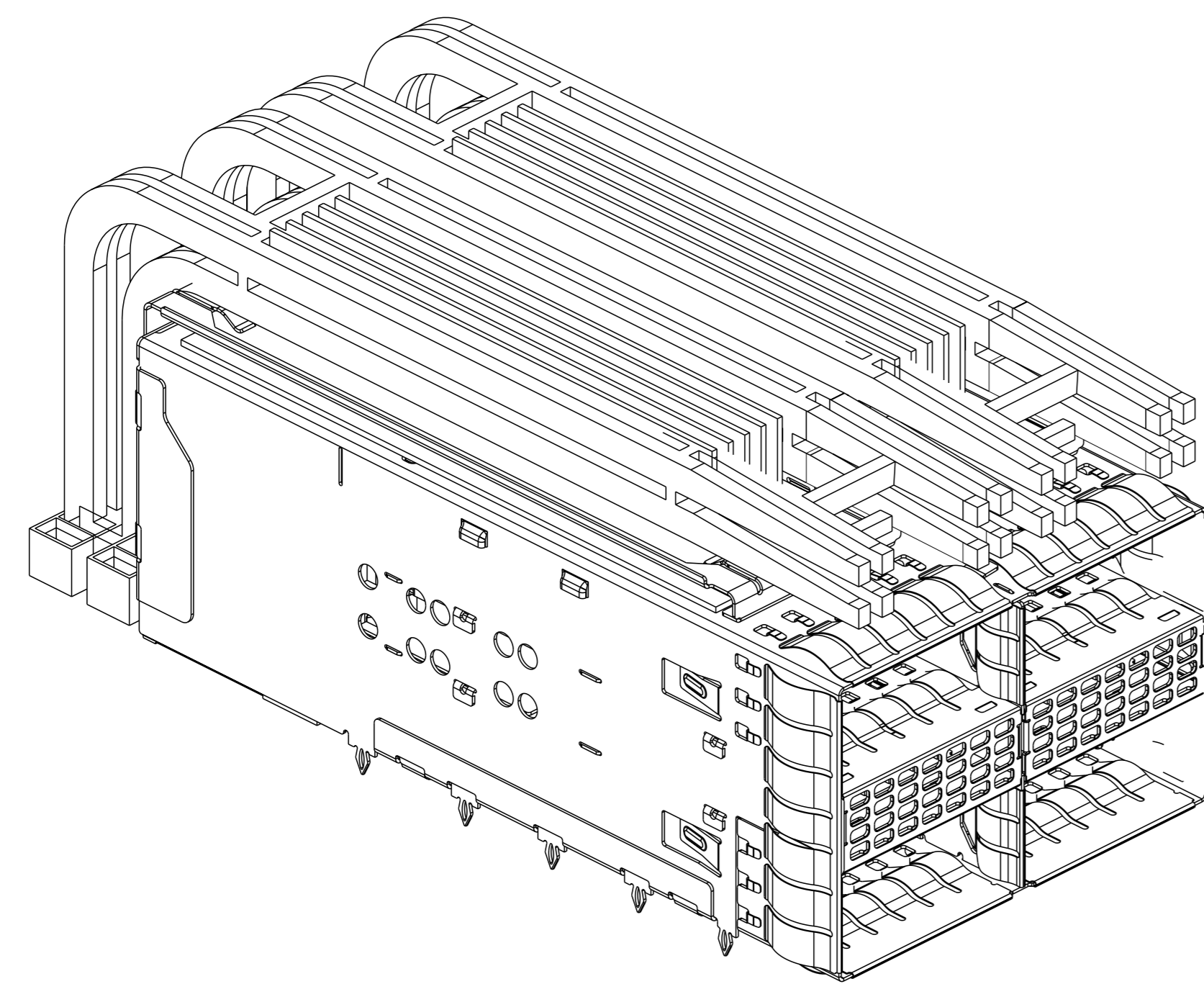
100779C=2308171

SCALE 1:1 SHEET 5 OF 11 REV D9

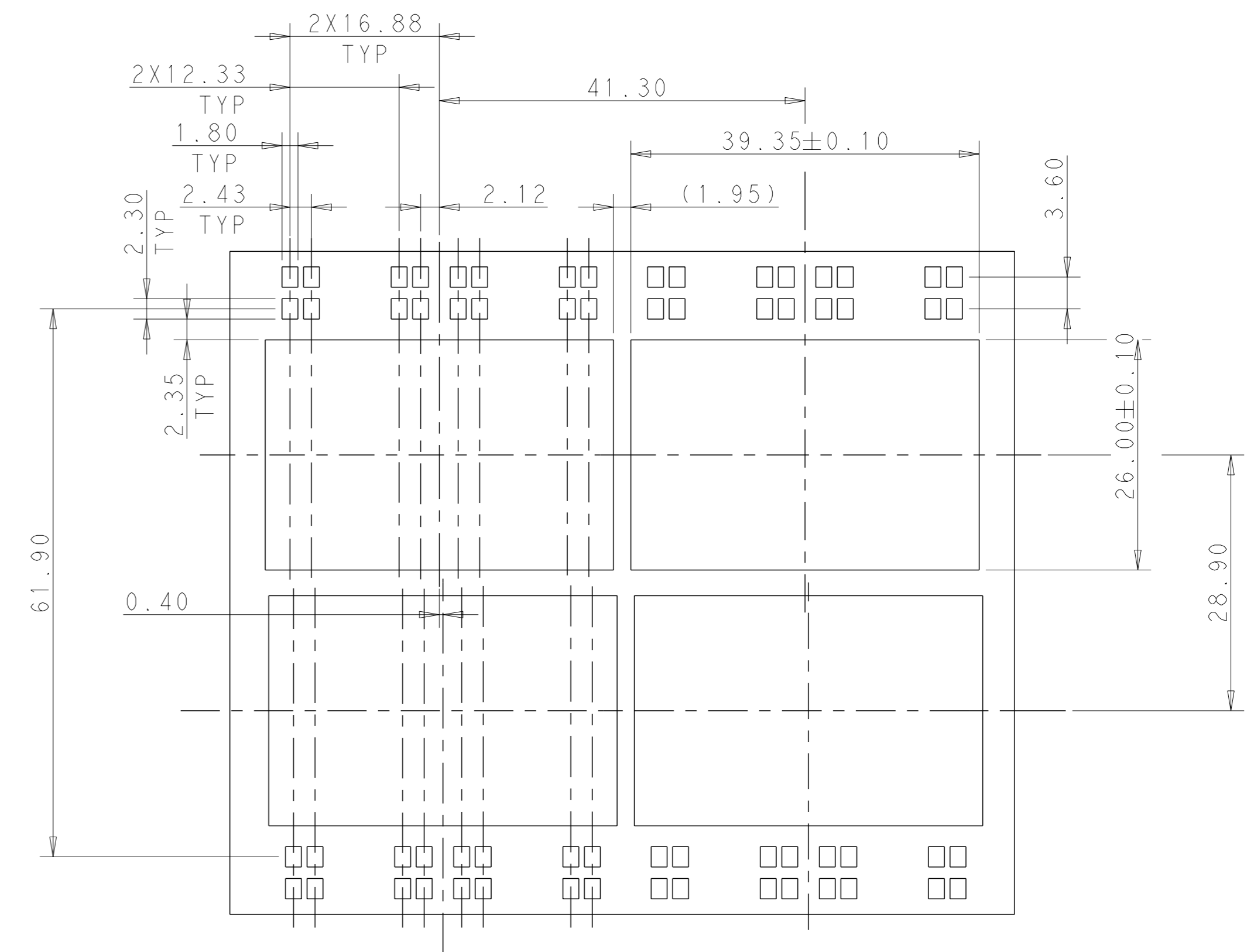
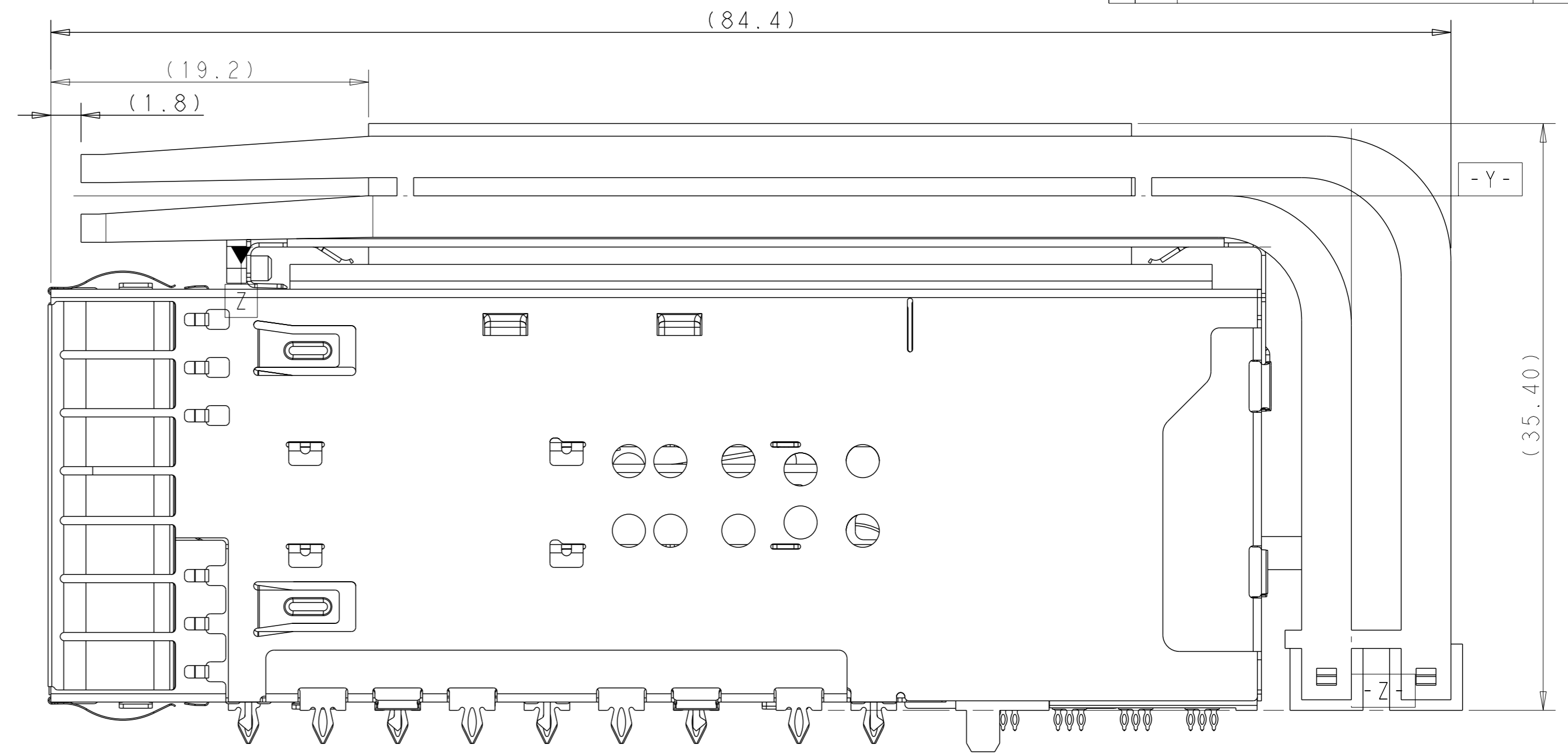
2-2308171-1 AS SHOWN



2-2308171-1
SCALE 4:1



SCALE 5:2

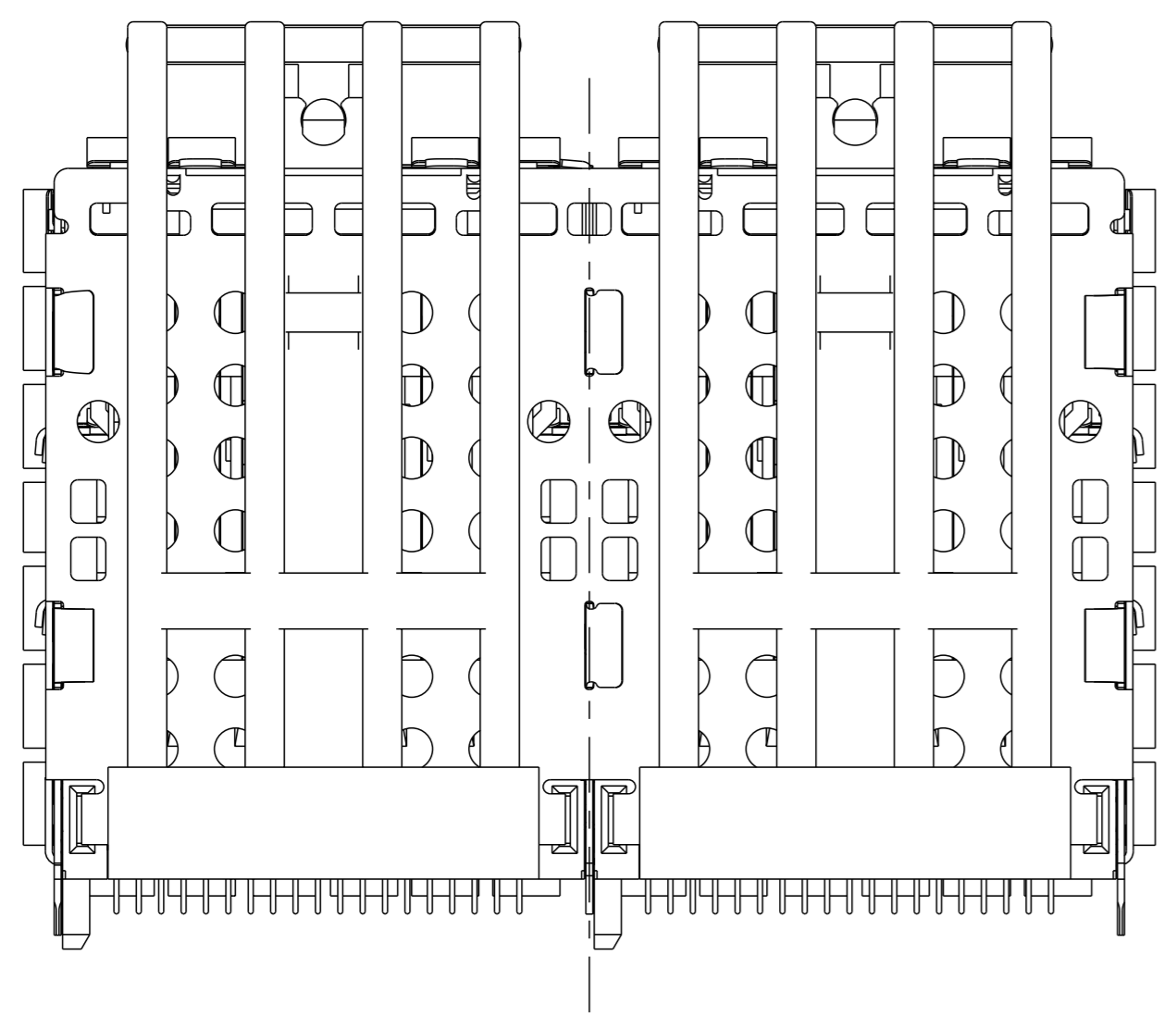


2-2308171-1 PANEL
SCALE 2:1

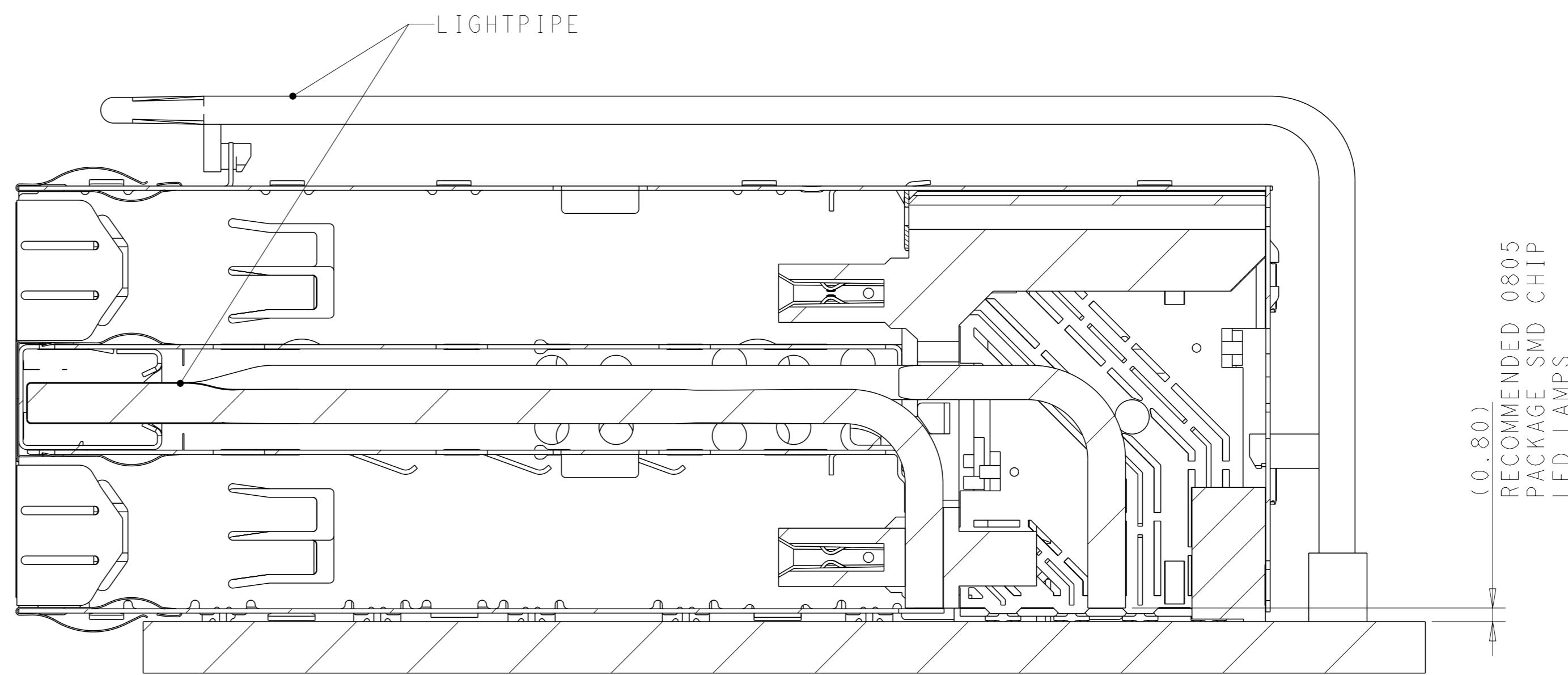
LOC	DIST	REV	DESCRIPTION	DATE	OWN	APPD
GP	00		SEE SHEET 1			

THIS DRAWING IS A CONTROLLED DOCUMENT.		OWN	TIM XUE	17AUG2016	 TE Connectivity			
DIMENSIONS:		CHK	SEAN HAN	17AUG2016				
mm		APVD	SEAN HAN	17AUG2016				
0 PLC ± 1 PLC ±0.25 2 PLC ±0.20 3 PLC ± 4 PLC ± ANGLES ± FINISH ±		NAME	zQSFP+ 2X2 4 INTERNAL LIGHT PIPES WITH EMI SPRING FINGERS BELLY TO BELLY APPLICATION					
MATERIAL		PRODUCT SPEC	108-60102		SIZE	CAGE CODE	DRAWING NO	RESTRICTED TO
SEE NOTE 1		APPLICATION SPEC	114-60015		A1	00779	2308171	
SEE NOTE 2		WEIGHT	-		CUSTOMER DRAWING		SCALE	1:1
		SHEET		6	OF		11	REV
								D9

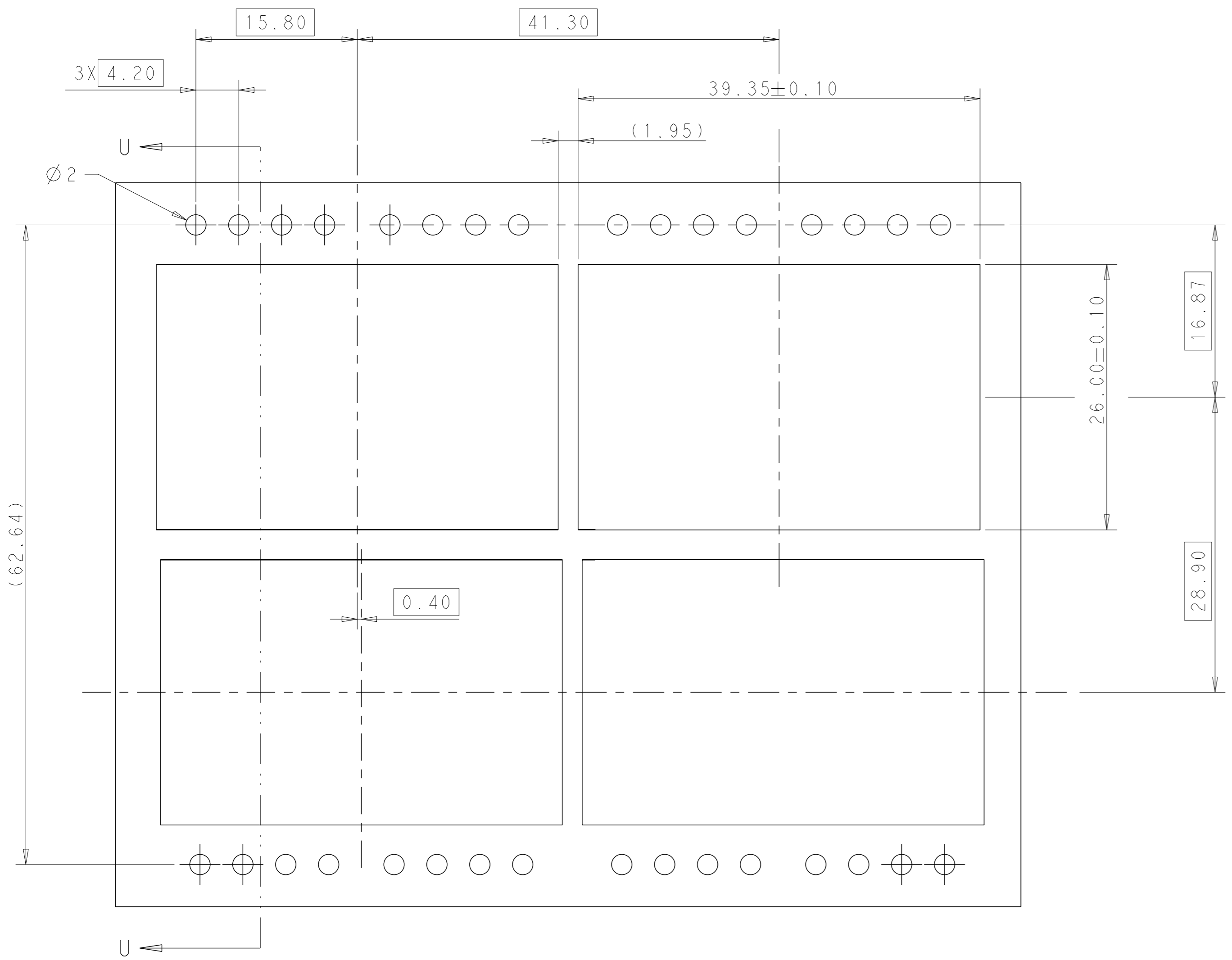
LOC	DIST	REVISIONS			
GP	00	REV	DATE	OWN	APVD
-	-	SEE SHEET 1	-	-	-



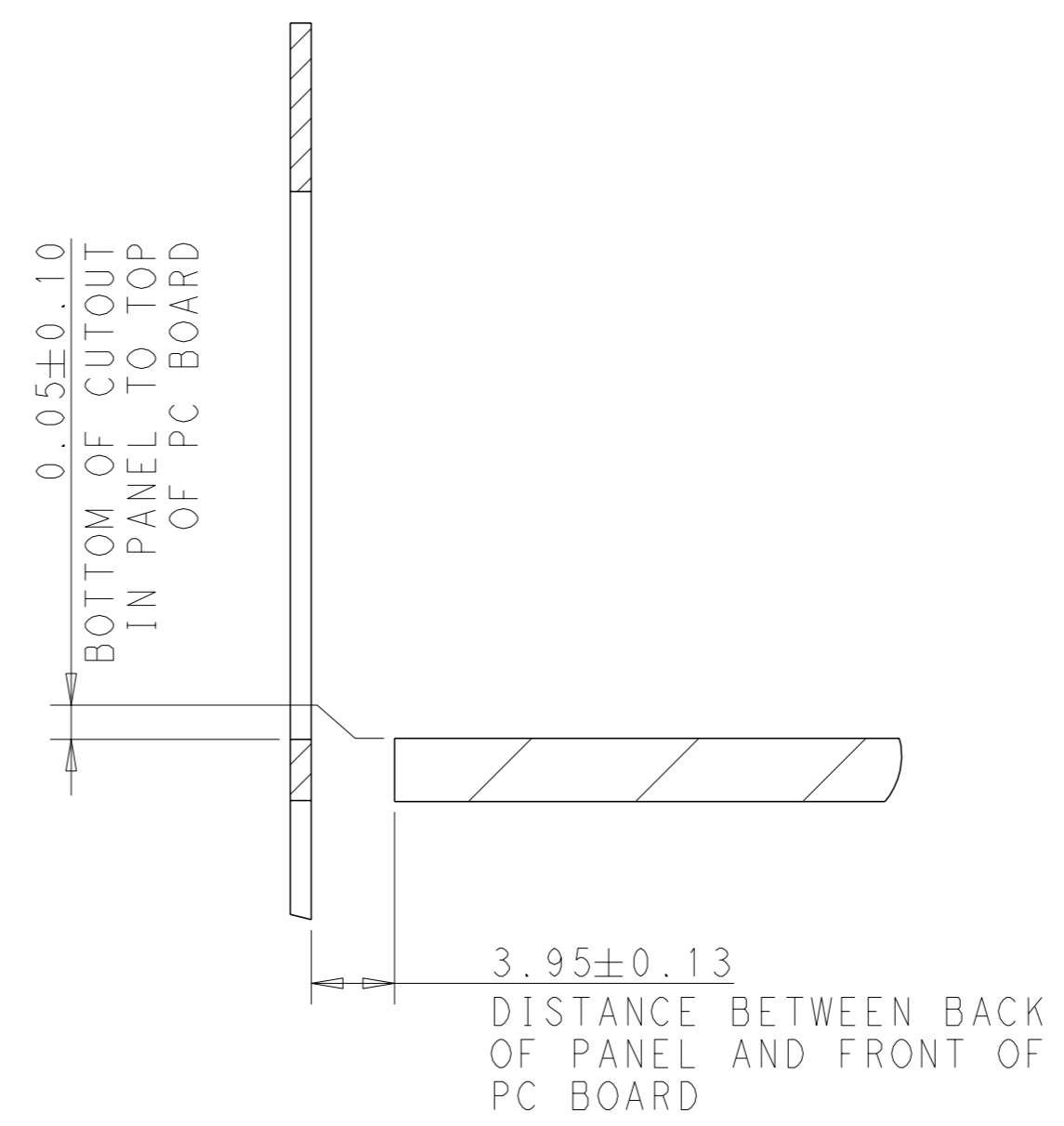
VIEW Y-Y



SECTION V-V
SCALE 4:1



RECOMMENDED PANEL CUTOUT
AND PC BOARD, PANEL POSITION
SCALE 3:1

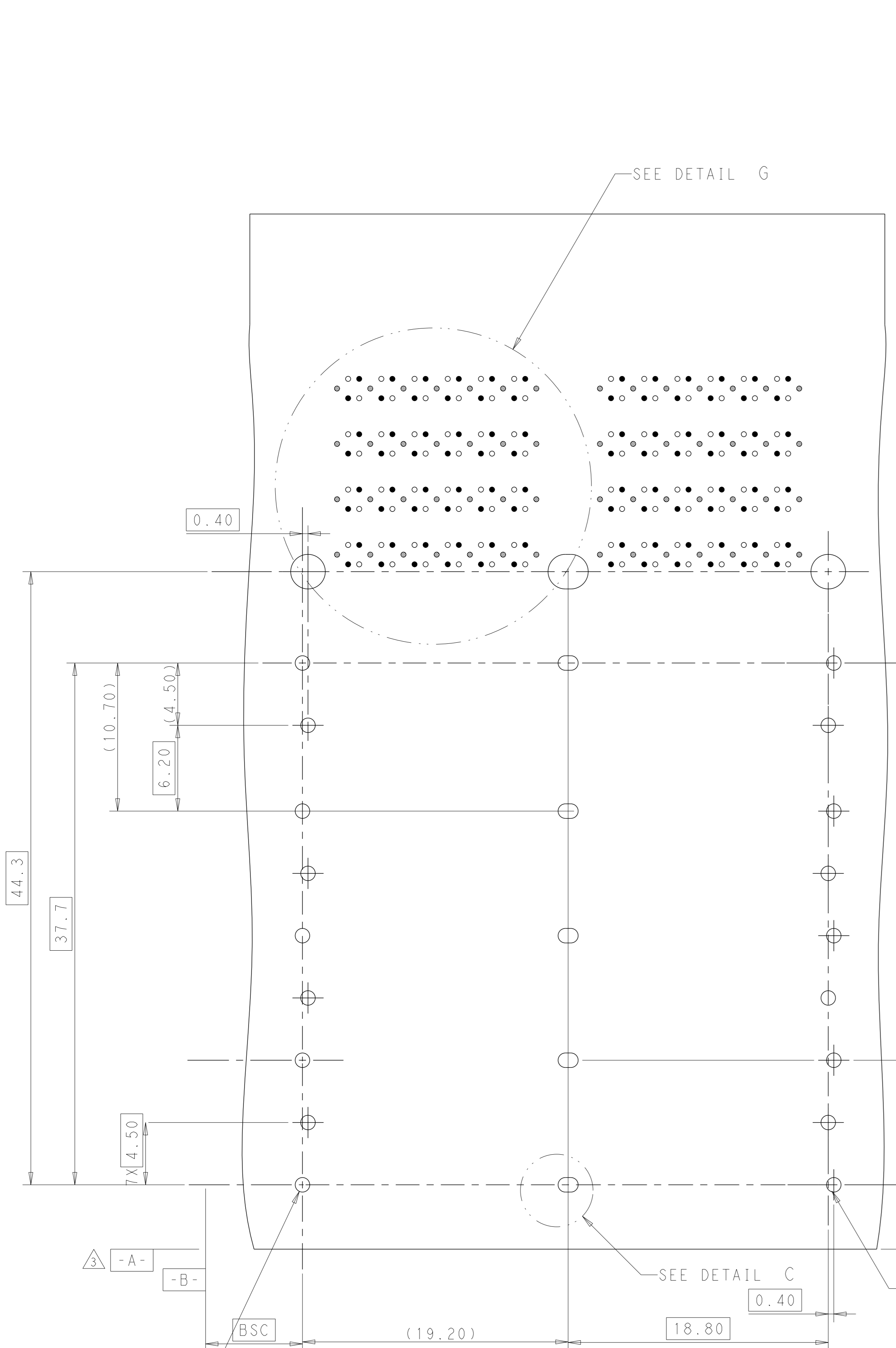


SECTION U-U

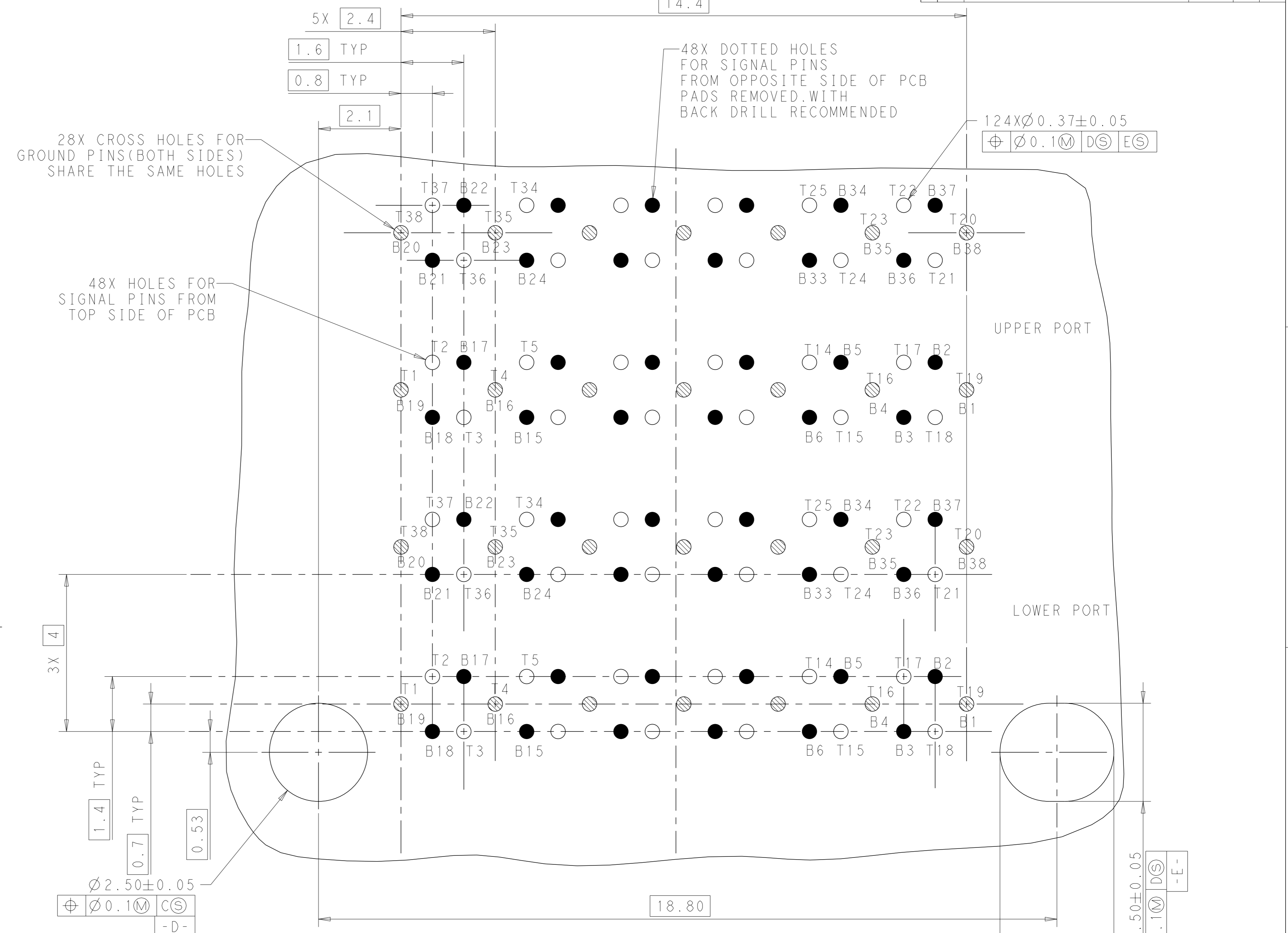
THIS DRAWING IS A CONTROLLED DOCUMENT.		OWN: TIM XUE 17AUG2016	TE Connectivity
DIMENSIONS: mm		CHK: SEAN HAN 17AUG2016	
TOLERANCES UNLESS OTHERWISE SPECIFIED:		APVD: SEAN HAN 17AUG2016	NAME: zQSFP+ 2X2 4 INTERNAL LIGHT PIPES WITH EMI SPRING FINGERS BELLY TO BELLY APPLICATION
0 PLC ±	1 PLC ±0.25	PRODUCT SPEC: 108-60102	SIZE: 114-60015
2 PLC ±0.20	3 PLC ±	APPLICATION SPEC: 114-60015	RESTRICTED TO: -
4 PLC ±	ANGLES ±	WEIGHT: -	A100779C=2308171
FINISH: -	SEE NOTE 1	SEE NOTE 2	CUSTOMER DRAWING
SCALE: 1:1		SHEET 7 OF 11 REV D9	

Printed on 22 May 2023 11:04 (China Standard Time) from TE44218

LOC		DIST		REVISIONS			
GP	00	P	LYR	DESCRIPTION	DATE	OWN	APVD
		-		SEE SHEET 1			

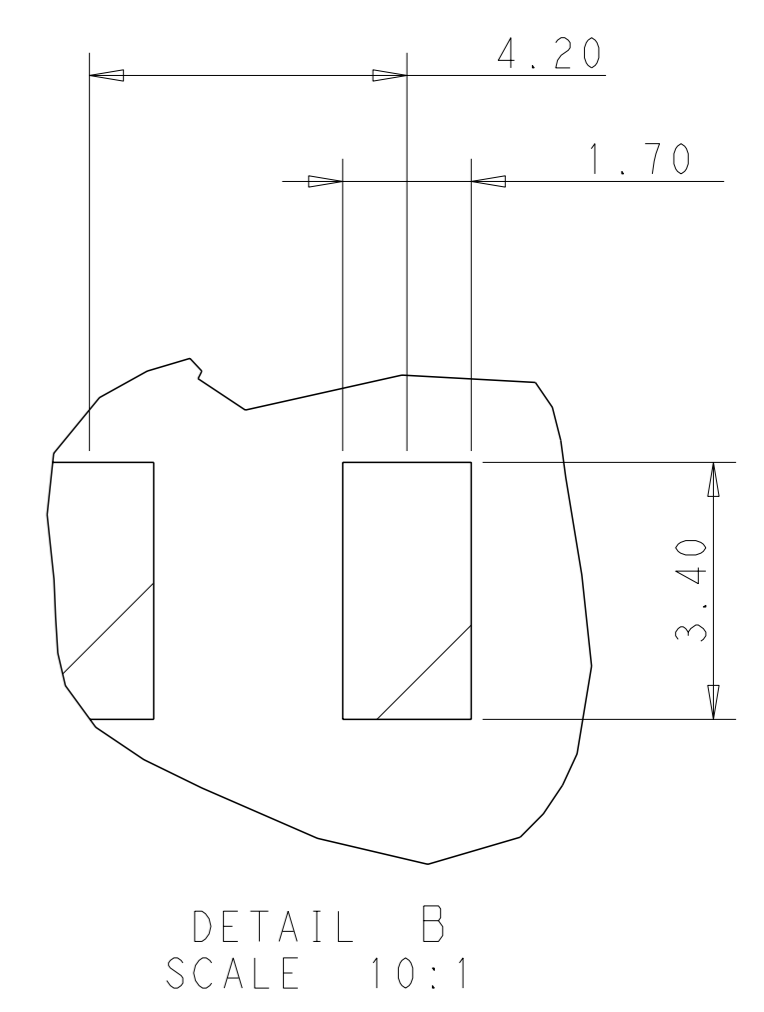
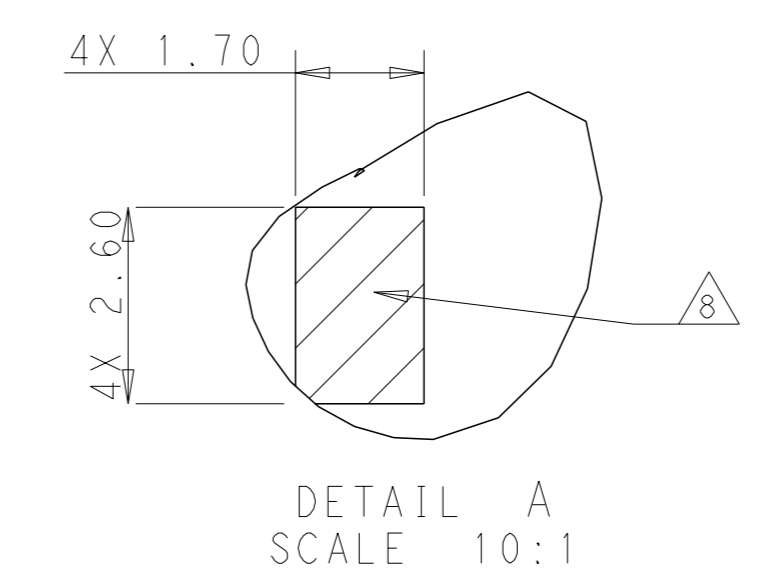
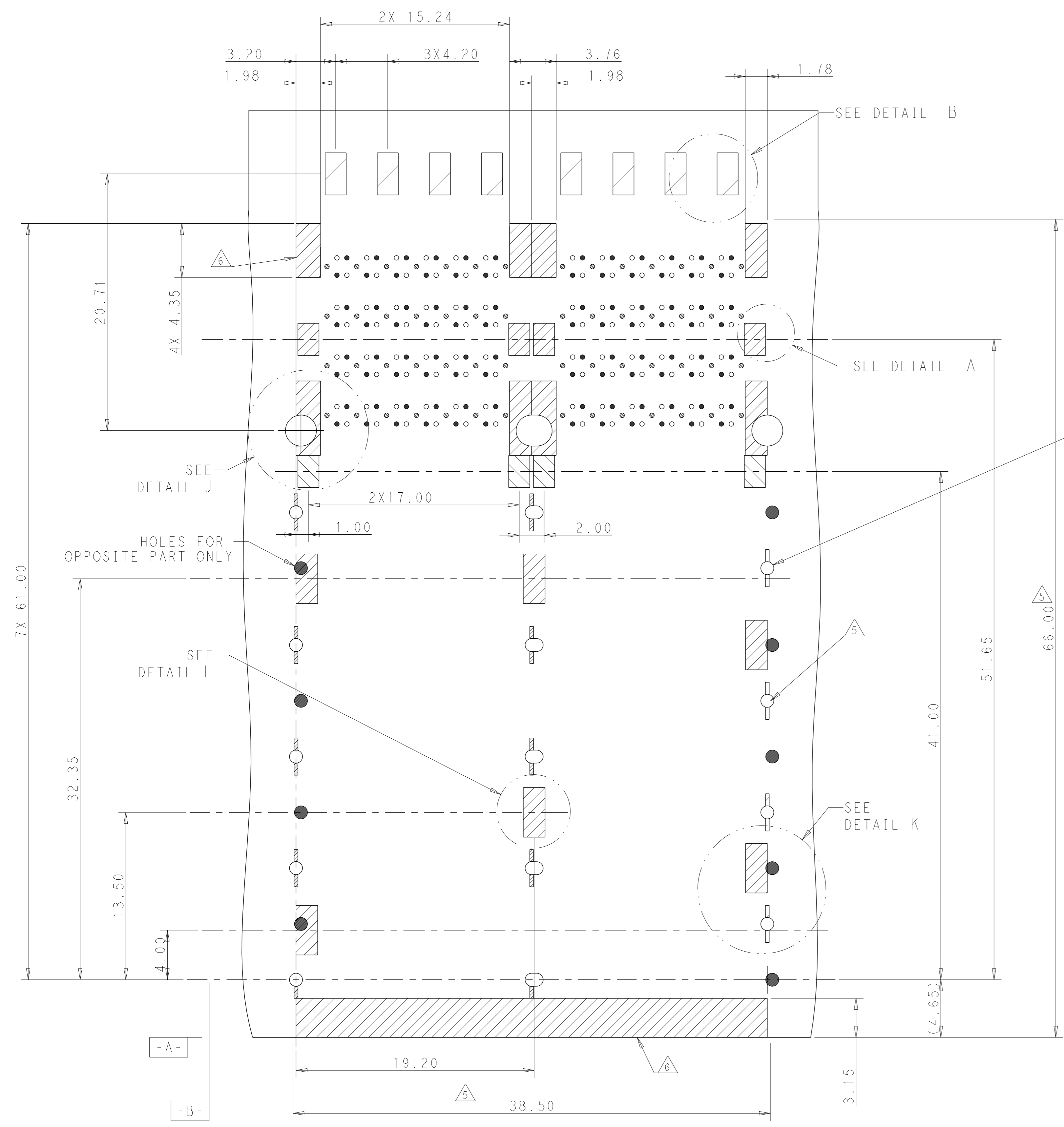


RECOMMENDED PC BOARD LAYOUT
 COMPONENT SIDE OF BOARD
 (PCB TOLERANCE ± 0.05)
 SCALE 5:1

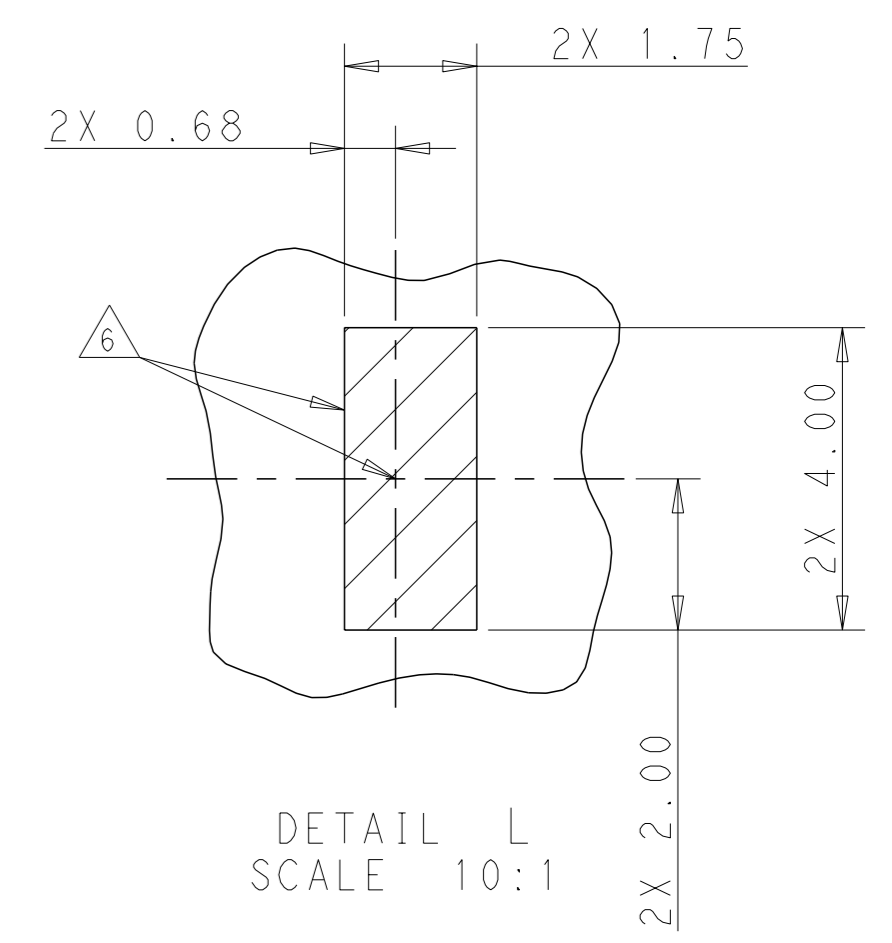
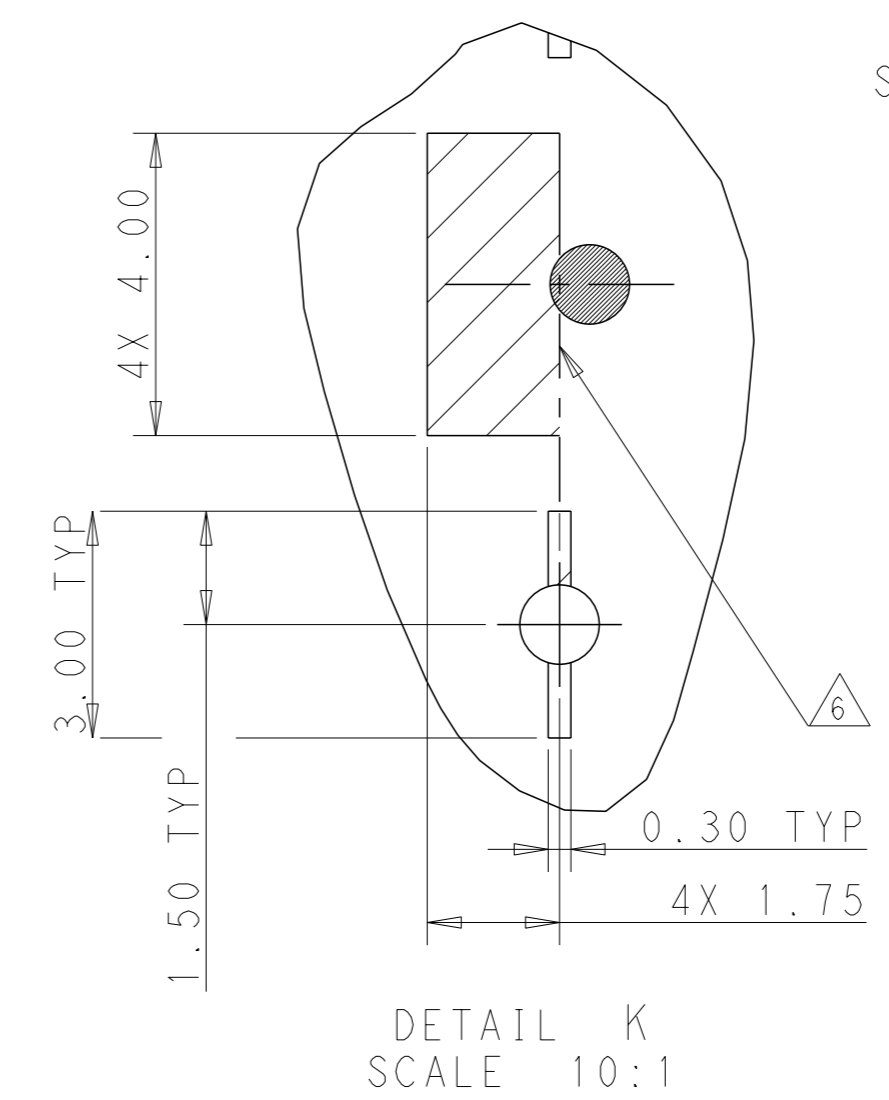
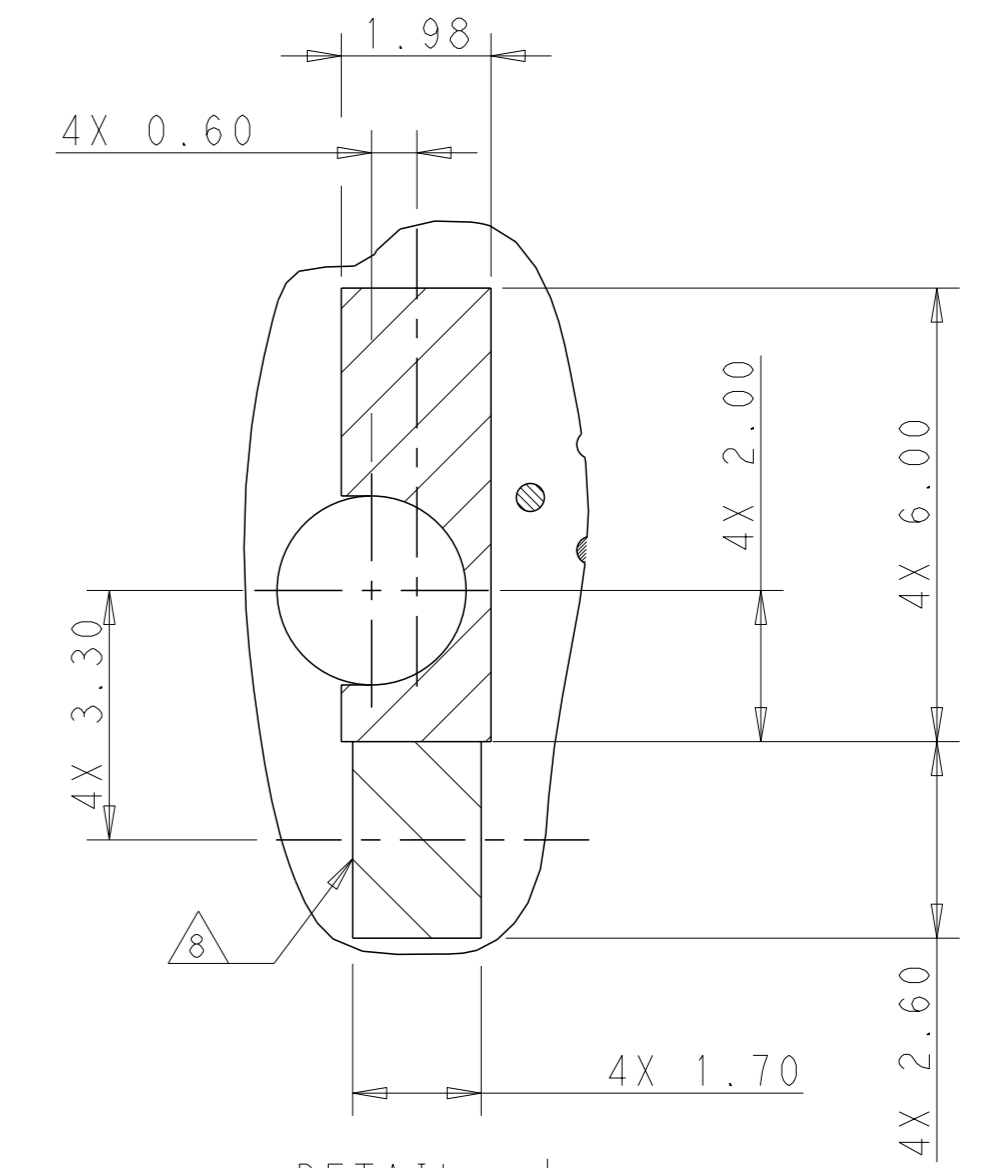


THIS DRAWING IS A CONTROLLED DOCUMENT.		OWN	TIM XUE	17AUG2016
DIMENSIONS:		CHK	SEAN HAN	17AUG2016
mm		APVD	SEAN HAN	17AUG2016
TOLERANCES UNLESS OTHERWISE SPECIFIED:		NAME	zQSFP+ 2X2 4 INTERNAL LIGHT PIPES WITH EMI SPRING FINGERS BELLY TO BELLY APPLICATION	
0 PLC	±	PRODUCT SPEC	108-60102	
1 PLC	± 0.25	APPLICATION SPEC	114-60015	
2 PLC	± 0.20	SIZE	CAGE CODE	DRAWING NO
3 PLC	±	114-60015	A100779	C=2308171
4 PLC	±	WEIGHT	-	
ANGLES	±	CUSTOMER DRAWING	SCALE 1:1 SHEET 8 OF 11 REV D9	
FINISH	±			

LOC	DIST	REVISIONS			
GP	00	REV	DATE	OWN	APVD
		-	SEE SHEET 1	-	-



OPTIONAL TO REMOVE THIS HOLE FOR 1-2308171-0 AND 1-2308171-1

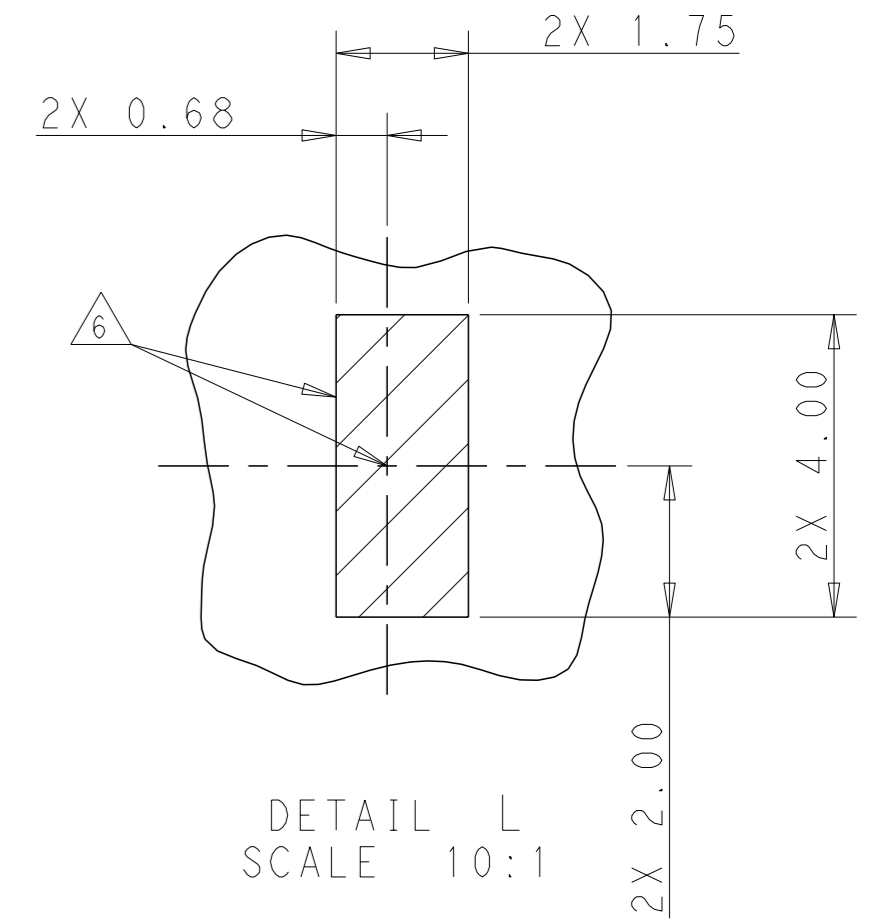
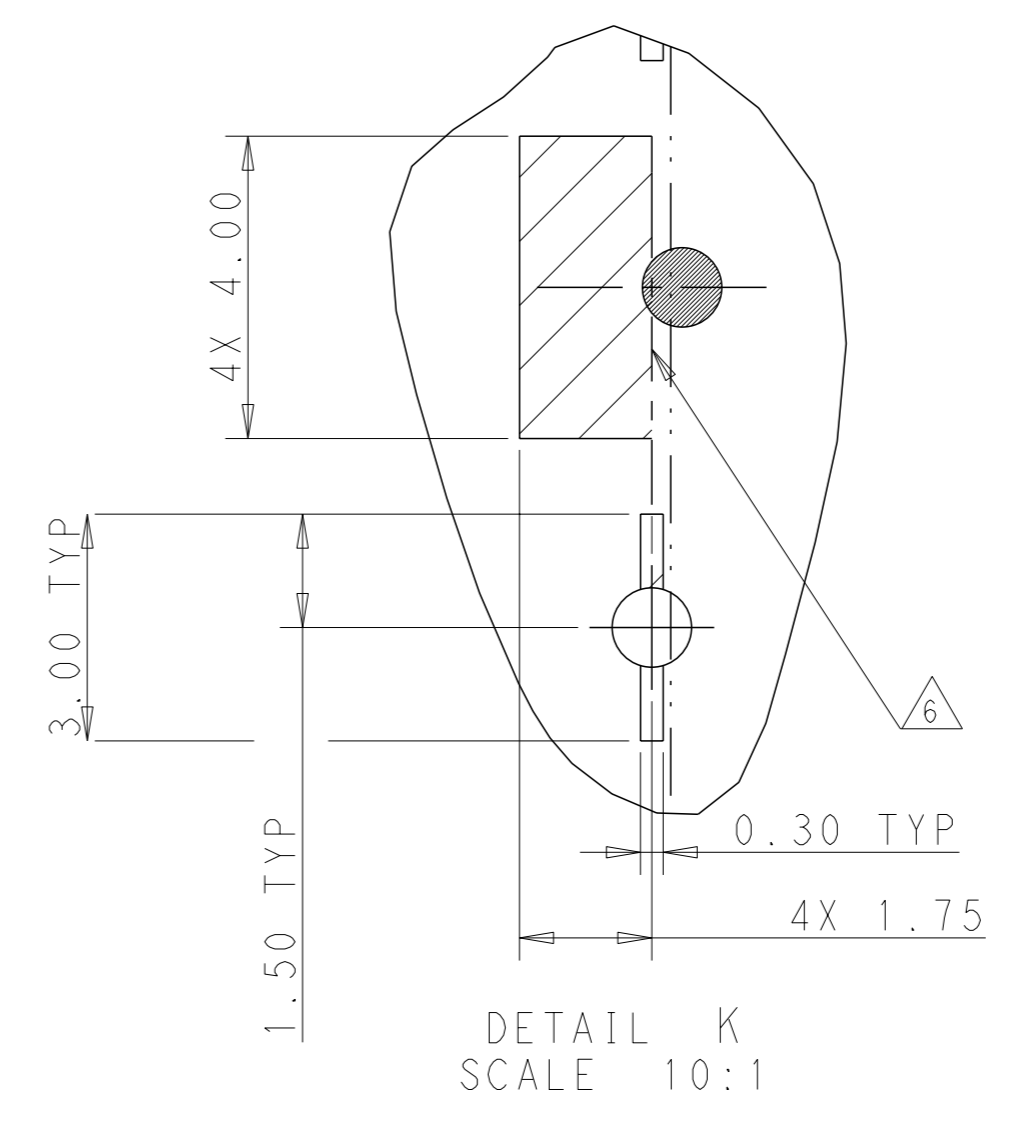
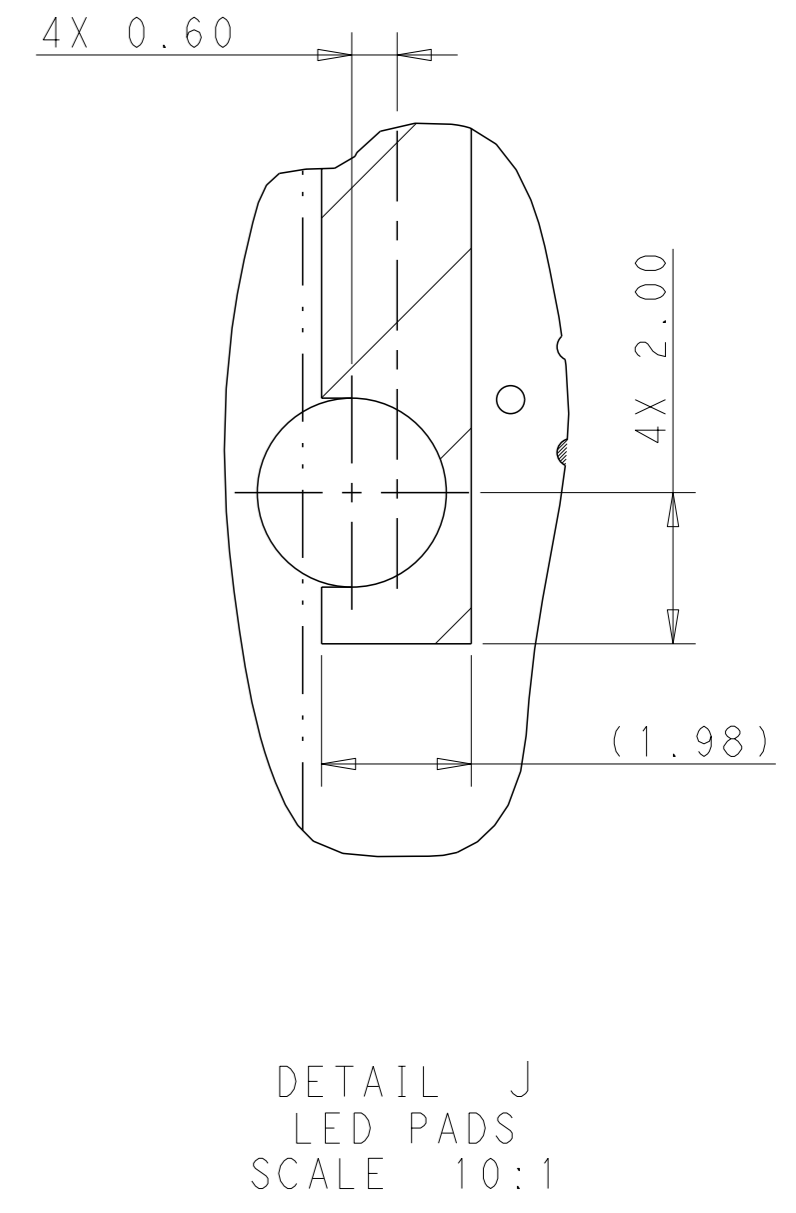
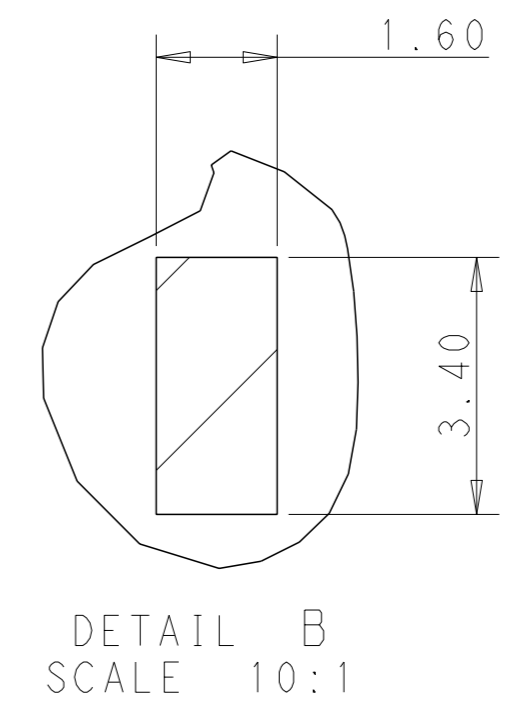
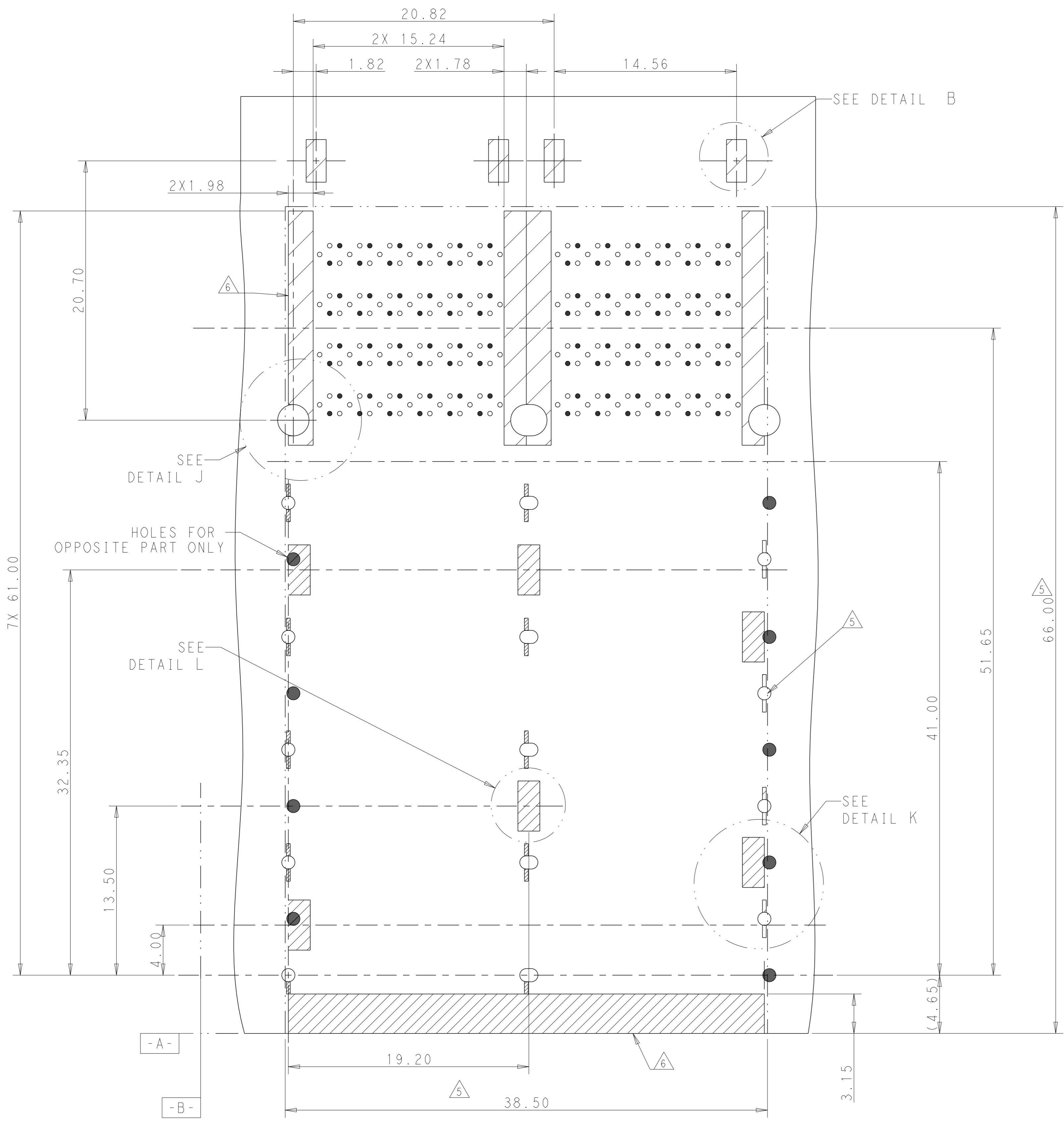


KEEPOUT AREAS
TOP COMPONENT SIDE OF BOARD
(PCB TOLERANCE ±0.05)
SCALE 5:1

THIS DRAWING IS A CONTROLLED DOCUMENT.		OWN: TIM XUE 17AUG2016	 TE Connectivity
DIMENSIONS: mm		CHK: SEAN HAN 17AUG2016	
TOLERANCES UNLESS OTHERWISE SPECIFIED:		APVD: SEAN HAN 17AUG2016	
0 PLC ± 1 PLC ±0.25 2 PLC ±0.20 3 PLC ± 4 PLC ± ANGLES ± FINISH ±		NAME: zQSFP+ 2X2 4 INTERNAL LIGHT PIPES WITH EMI SPRING FINGERS BELLY TO BELLY APPLICATION	
MATERIAL: SEE NOTE 1	SEE NOTE 2	PRODUCT SPEC: 108-60102	RESTRICTED TO: -
		APPLICATION SPEC: 114-60015	SIZE: A1
		WEIGHT: -	CAGE CODE: 2308171
		CUSTOMER DRAWING	SCALE: 1:1 SHEET 9 OF 11 REV D9

Printed on 22 May 2023 11:04 (China Standard Time) from 1E444218

LOC	DIST	REVISIONS				
GP	00	REV	DESCRIPTION	DATE	OWN	APVD
-	-	-	SEE SHEET 1	-	-	-

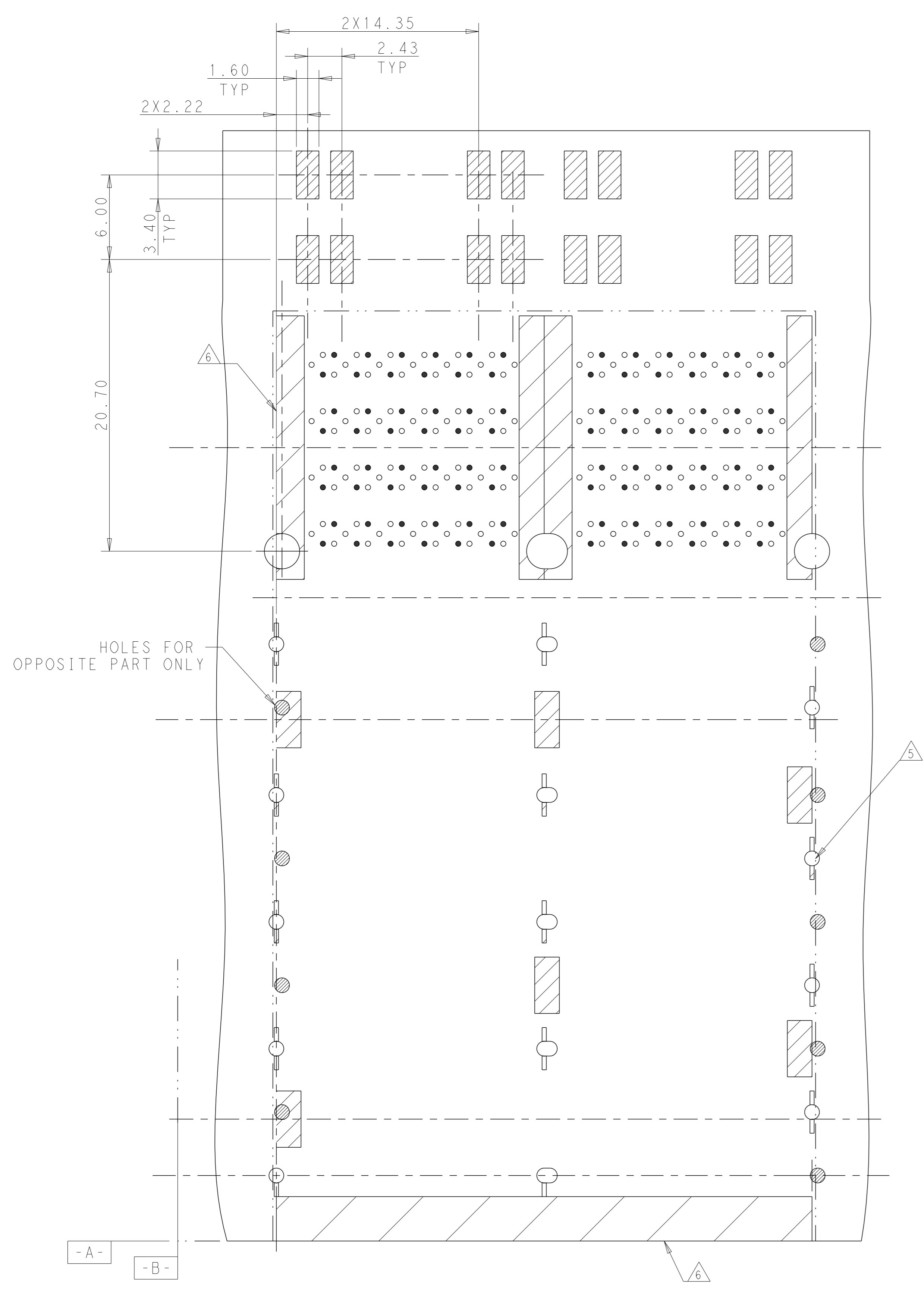


KEEPOUT AREAS OF 2-2308171-0
 TOP COMPONENT SIDE OF BOARD
 (PCB TOLERANCE ±0.05)
 SCALE 5:1

THIS DRAWING IS A CONTROLLED DOCUMENT.		OWN: TIM XUE 17AUG2016	TE Connectivity NAME: zQSFP+ 2X2 4 INTERNAL LIGHT PIPES WITH EMI SPRING FINGERS BELLY TO BELLY APPLICATION PRODUCT SPEC: 108-60102 APPLICATION SPEC: 114-60015 SIZE: A1 CAGE CODE: 2308171 DRAWING NO: 100779	RESTRICTED TO:	
DIMENSIONS: mm		CHK: SEAN HAN 17AUG2016		SCALE: 1:1	SHEET 10 OF 11
TOLERANCES UNLESS OTHERWISE SPECIFIED:		APVD: SEAN HAN 17AUG2016		REV: D9	
0 PLC ± 1 PLC ±0.25 2 PLC ±0.20 3 PLC ± 4 PLC ± ANGLES ± FINISH ±		WEIGHT: -			
MATERIAL: SEE NOTE 1		SEE NOTE 2		CUSTOMER DRAWING	

Printed on 22 May 2023 11:04 China Standard Time from TE44218

LOC	DIST	REVISIONS			
P	LYR	DESCRIPTION	DATE	OWN	APVD
GP	00	SEE SHEET 1	-	-	-



HOLES FOR OPPOSITE PART ONLY

KEEPOUT AREAS OF 2-2308171-1
 TOP COMPONENT SIDE OF BOARD
 UNSPECIFIED SPEC, REFER TO
 2-2308171-0 PCB LAYOUT

(PCB TOLERANCE ± 0.05)
 SCALE 5:1

THIS DRAWING IS A CONTROLLED DOCUMENT.		OWN	TIM XUE	17AUG2016	TE Connectivity
DIMENSIONS:		CHK	SEAN HAN	17AUG2016	
mm	TOLERANCES UNLESS OTHERWISE SPECIFIED:	APVD	SEAN HAN	17AUG2016	
0 PLC	±	NAME		zQSFP+ 2X2 4 INTERNAL LIGHT PIPES WITH EMI SPRING FINGERS BELLY TO BELLY APPLICATION	
1 PLC	± 0.25	PRODUCT SPEC		108-60102	
2 PLC	± 0.20	APPLICATION SPEC		114-60015	
3 PLC	±	SIZE	CAGE CODE	DRAWING NO	RESTRICTED TO
4 PLC	±	A1	00779	C=2308171	-
MATERIAL	FINISH	WEIGHT	CUSTOMER DRAWING		SCALE 1:1 SHEET 11 OF 11 REV D9
SEE NOTE 1	SEE NOTE 2				

Printed on 22 May 2023 11:04 (China Standard Time) from TE44218