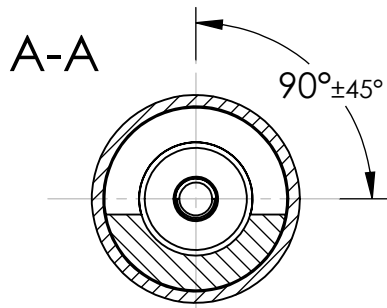
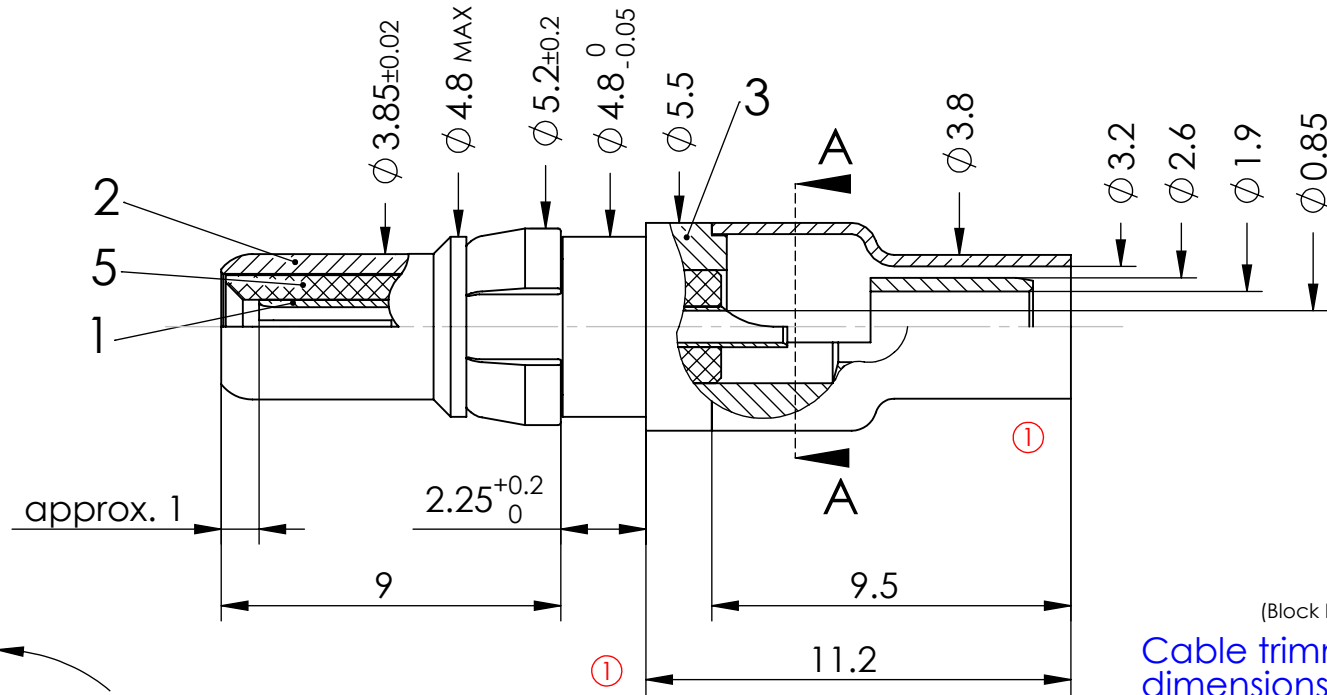
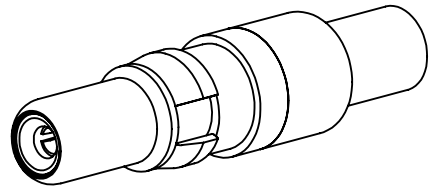
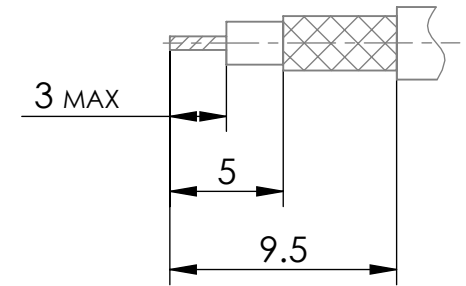


COMMENT:
 ALL RIGHTS ARE RESERVED BY US FOR THIS DRAWING. WITHOUT OUR PRIOR CONSENT,
 IT MAY NEITHER BE DUPLICATED NOR MADE AVAILABLE TO A THIRD PARTY,
 AND IT ALSO MAY NOT BE IMPROPERLY USED BY THE RECEIVER, OR A THIRD PARTY.



solderpot position

(Block No. C-8)
 Cable trimming dimensions



Text No. W-2
FCT tools:

Crimping of outer conductor:

Hand tool: M22520/5-01
 Die: Y1535P cavity B

Pneumatic crimp tool: HX23
 (replacement for PH4001) ②

Extraction tool: DRK38

IMPEDANCE		50 Ohm	COAXIAL CONTACT	SCALE 1:1	CABLE RG174U, RG188AU, RG316U	
FOR		D-SUB			DATA SHEET	
DIMENSIONS IN MM			DRAWN	NAME / DATE ffuhrmann 17-08-2006		
MATERIAL + FINISH SEE EXTRA SHEET			CHECKED	sschref 24-10-2012		
UNLESS OTHERWISE SPECIFIED DIMENSIONS FOR REFERENCE ONLY					PART NO. FMX006P	REV. 2
2	17-10-2012	23305			REPLACEMENT FOR:	PAGE: 1/1
REV.	DATE	INDEX	ORIGINAL: DIN A4-DRAWING AS A FILE			