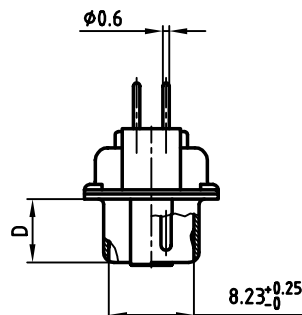
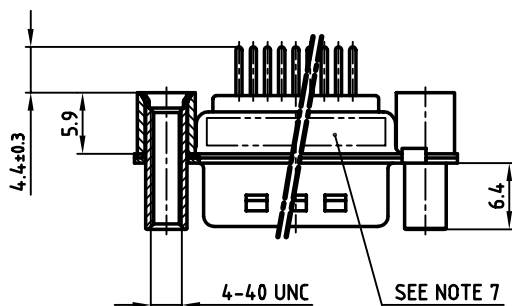
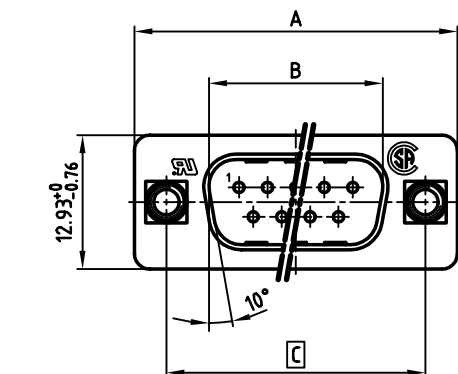


used for: D-SUB



Directive 2002/95/EC  
"RoHS"  
Compliant

No. of pos.	A -0.76	B +0.25	C	D -0.3	Part No.
9	31.19	16.79	25.00 <sup>+0.12</sup> / <sub>-0.13</sub>	6.12	163A13729X
15	39.52	25.12	33.30 <sup>+0.15</sup> / <sub>-0.1</sub>	6.12	163A13739X
25	53.42	38.84	47.04 ±0.13	5.99	163A13749X
37	69.70	55.30	63.50 ±0.13	5.99	163A13759X

**NOTES:**

- METALSHELLS: STEEL; min. 320µ" TIN
- INSULATORS: PBT GF UL 94 V-0, BLACK
- CONTACTS: COPPER ALLOY  
PLATING: min. 8µ" HARD GOLD OVER min. 50µ" NICKEL
- THREADED REAR SPACER/ FRONT THREADED LOCK:  
COPPER ALLOY; min. 200µ" TIN over 80µ" NICKEL
- P.C.B. HOLE DRILLINGS ON DRAWING NO.: 16K11IUA
- MAXIMUM TORQUE VALUE FOR THREAD: 6" LBS
- CONNECTOR IS PART MARKED: PART-NO. CONEC Y/WW
- = CRITICAL DIMENSION

APPROVAL # FREIGABE # DEBLOCAGE # AUTORIZACION # APPROVAL

CUSTOMER APPROVAL DATE:

NAME: TITLE:

COMPANY NAME:

APPROVAL # FREIGABE # DEBLOCAGE # AUTORIZACION # APPROVAL

THIS DRAWING MAY NOT BE COPIED OR REPRODUCED IN ANY WAY, AND MAY NOT BE PASSED ON TO A THIRD PARTY, WITHOUT WRITTEN PERMISSION. OWNERSHIP AND COPYRIGHT OF CONEC GmbH DO NOT ALTER CAD DRAWING BY HAND

rev.	description	date	name

tolerance

scale: 2:1

material: SEE NOTES

title: D-SUB MALE  
9-37pos. Solder pin straight  
with threaded rear spacer, front threaded lock

dwg no: AutoCAD 2000  
16K2A657

part no: SEE TABLE

DIN-A 3 sh: 1/1

**CONEC**

2002	date	name
drawn	17.10.	Parei
appd.	17.10.	Mickenbecker
norm	DIN 41652	
d-old		