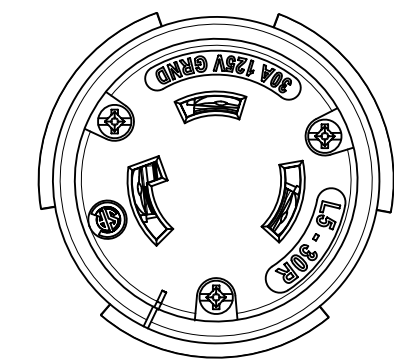
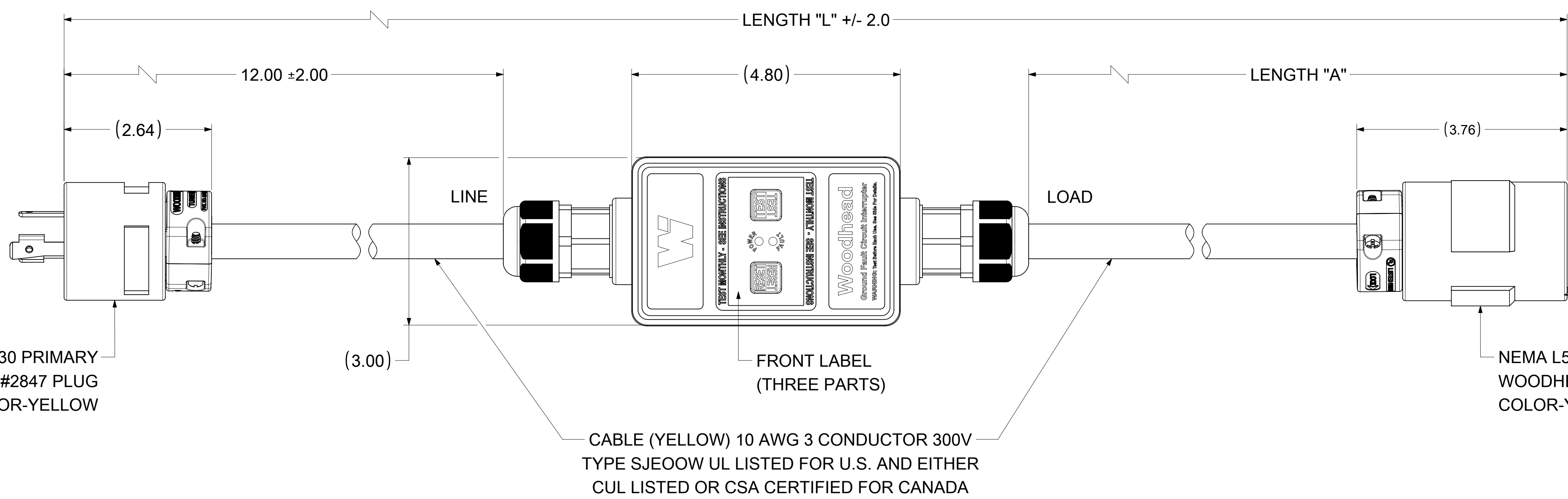
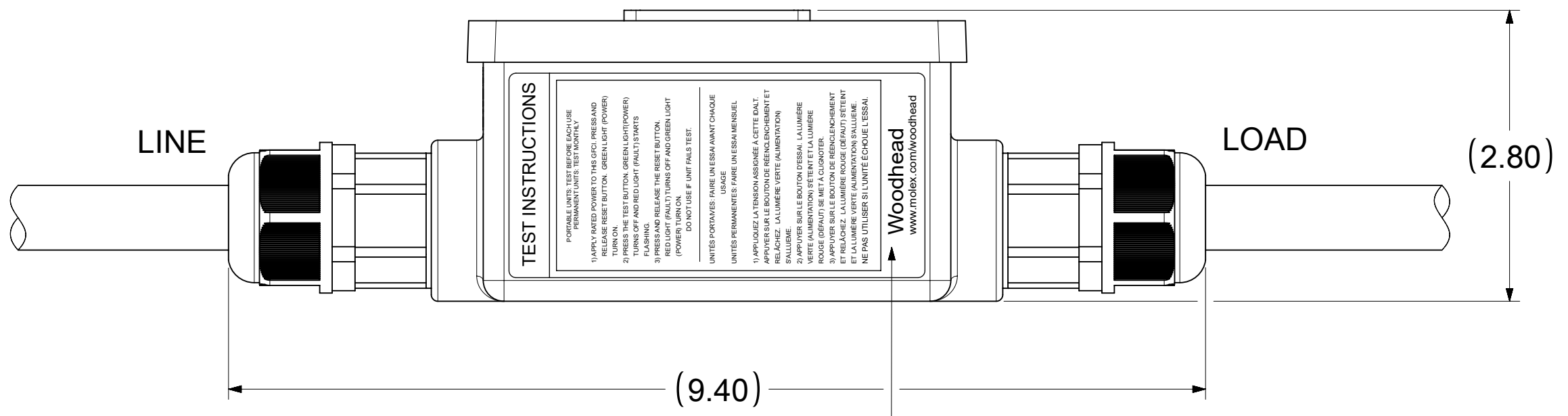
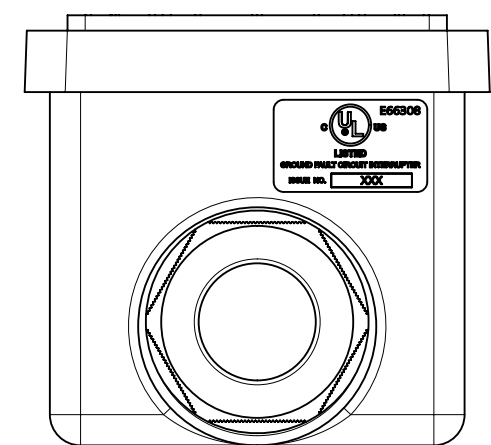


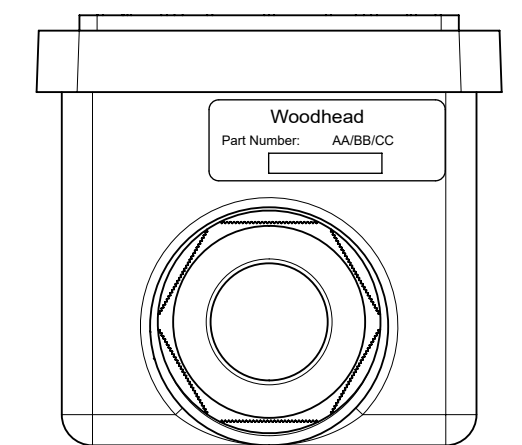
NEMA L5-30 PRIMARY WOODHEAD #2847 PLUG COLOR-YELLOW



NEMA L5-30 SECONDARY WOODHEAD #2947 CONNECTOR COLOR-YELLOW



TEST INSTRUCTIONS LABEL



**TECHNICAL**

LISTED:	UL & CSA
RATED SUPPLY VOLTAGE:	120VAC
RATED CURRENT:	UP TO 30 AMPS
RESET TYPE:	AUTOMATIC OR MANUAL
OPERATING FREQUENCY:	60 Hz
TYPE:	CLASS A
GROUND TRIP CURRENT:	5mA +/- 1mA
OVERLOAD CURRENT:	180 AMPS, 0.45PF
INSULATION VOLTAGE:	1,500 VRMS - 1 MINUTE
ENDURANCE OPERATIONS:	3000 OPERATIONS
ENCLOSURE:	NEMA 4X/6P

MATERIAL NO.	ENGINEERING NO.	LENGTH "L"	LENGTH "A"	POWER-UP
1301530164	30051-1A	2 FT 9.4 IN.	1 FT	AUTO
1301530171	30051-6A	7 FT 9.4 IN.	6 FT	AUTO
1301530168	30051-25A	26 FT 9.4 IN.	25 FT	AUTO
1301530165	30051-1M	2 FT 9.4 IN.	1 FT	MANUAL
1301530172	30051-6M	7 FT 9.4 IN.	6 FT	MANUAL
1301530169	30051-25M	26 FT 9.4 IN.	25 FT	MANUAL

FUNCTIONAL SYMBOLS $F_A = 0$ $F_C = 0$ $F_D = 0$ DIVISIONAL SYMBOLS	THIS DRAWING CONTAINS INFORMATION THAT IS PROPRIETARY TO MOLEX ELECTRONIC TECHNOLOGIES, LLC AND SHOULD NOT BE USED WITHOUT WRITTEN PERMISSION		DIMENSION UNITS: INCH SCALE: NTS		CURRENT REV DESC: UPDATED LENGTH "L" IN THE TABLE.  EC NO: 672829 DRWN: PPURSUTANDEL 2021/08/06 CHK'D: DNGUYEN62 2021/08/18 APPR: HKNEELAND 2021/08/31  INITIAL REVISION: DRWN: PPURSUTANDEL 2021/07/01 APPR: HKNEELAND 2021/07/30					
	GENERAL TOLERANCES (UNLESS SPECIFIED) ANGULAR TOL ± °		4 PLACES ± 3 PLACES ± 2 PLACES ± 1 PLACE ± 0 PLACES ±						30A/120V GFCI AUTO 2 FT. SUPER-SAFEWAY NEMA L5	
	DRAFT WHERE APPLICABLE MUST REMAIN WITHIN DIMENSIONS		THIRD ANGLE PROJECTION			DRAWING: D-SIZE SERIES: 130153		PRODUCT CUSTOMER DRAWING		
						MATERIAL NUMBER: SEE TABLE CUSTOMER: GENERAL MARKET		DOCUMENT NUMBER: 1301530164 DOC TYPE: PSD DOC PART: 000 REVISION: A1		