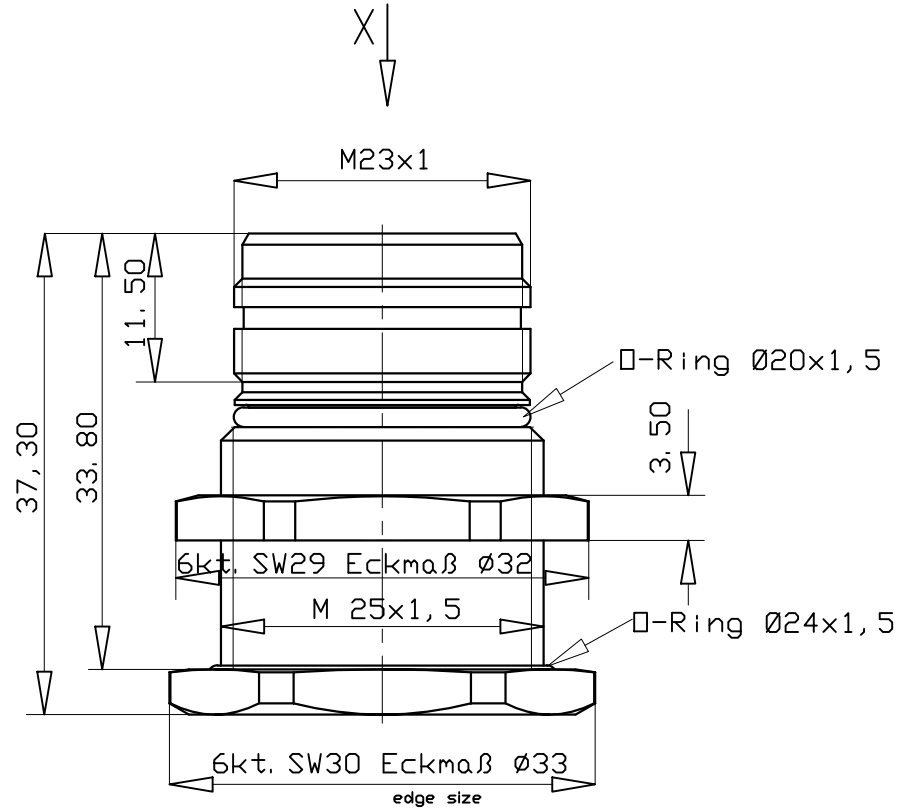
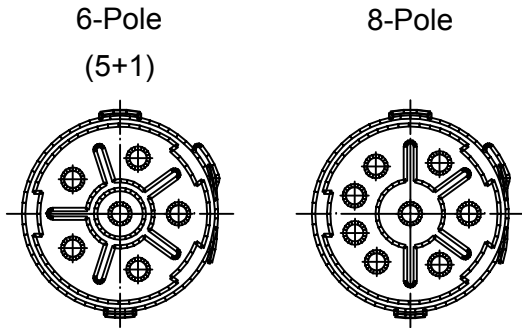


Views from "X" rotated



	Cable Diameter	Crimp Contacts	Without Contacts
6 Pole (5+PE)		KRP6P46-100 1202340021	KRP6P46-000 1202340022
	Crimp range*	0,75-2,5mm ²	
8 Pole (4+3+PE)		KRP8P46-110 1202340023	KRP8P46-000 1202340024
	Crimp range*	0,25-1,0mm ² /0,75-2,5mm ²	

*Crimp range only applies to "Crimp Contacts" version

Notes:

Tolerances (unless specified): DIN ISO 2768 m

DESCRIPTION	QUALITY SYMBOLS	GENERAL TOLERANCES (UNLESS SPECIFIED)		DIMENSION STYLE		SCALE	DESIGN UNITS	THIRD ANGLE PROJECTION				
		mm	INCH	MM		---	METRIC					
EC NO: IPG2015-0907 DRWN: BBRÄUCH 2014/11/19 CHKD: ZISMAYIL 2014/11/19 APPR: CBURGER	= 0 = 0	4 PLACES	±---	±---	DRAWN BY	DATE	REC M23 XP MA STR BM M25X1.5 ----					
		3 PLACES	±---	±---	BB	2008/11/21						
		2 PLACES	±0.05	±---	CHECKED BY	DATE						
		1 PLACE	±0.1	±---	JKO	2008/12/09						
		0 PLACE	±---	±---	APPROVED BY	DATE				MATERIAL NO.	DOCUMENT NO.	SHEET NO.
		ANGULAR	±	---	°	---				---	---	---
DRAFT WHERE APPLICABLE MUST REMAIN WITHIN DIMENSIONS		SIZE	THIS DRAWING CONTAINS INFORMATION THAT IS PROPRIETARY TO MOLEX INCORPORATED AND SHOULD NOT BE USED WITHOUT WRITTEN PERMISSION									
2	REV	see table		A3	SD-120234-006			1 OF 1				