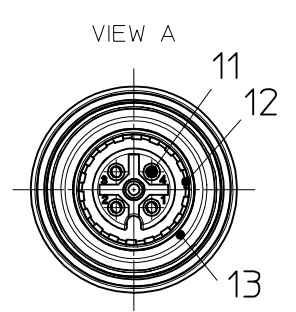
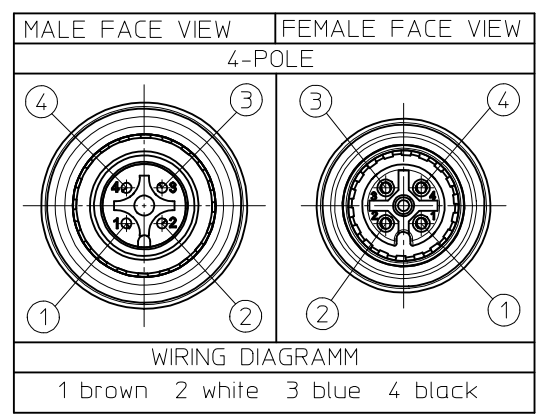


PART NUMBER	ENGINEERING Nr.	DESCRIPTION	LENGTH L
1200805104	WW4030F03M0068	CSE U12 4P AC MA STR PVC FE STR 0.6M DE UNSH BK V4A	0.6M
1200805105	WW4030F03M0108	CSE U12 4P AC MA STR PVC FE STR 1M DE UNSH BK V4A	1M
1200805106	WW4030F03M0208	CSE U12 4P AC MA STR PVC FE STR 2M DE UNSH BK V4A	2M
1200805107	WW4030F03M0308	CSE U12 4P AC MA STR PVC FE STR 3M DE UNSH BK V4A	3M
1200805108	WW4030F03M0508	CSE U12 4P AC MA STR PVC FE STR 5M DE UNSH BK V4A	5M
1200805109	WW4030F03M1008	CSE U12 4P AC MA STR PVC FE STR 10M DE UNSH BK V4A	10M

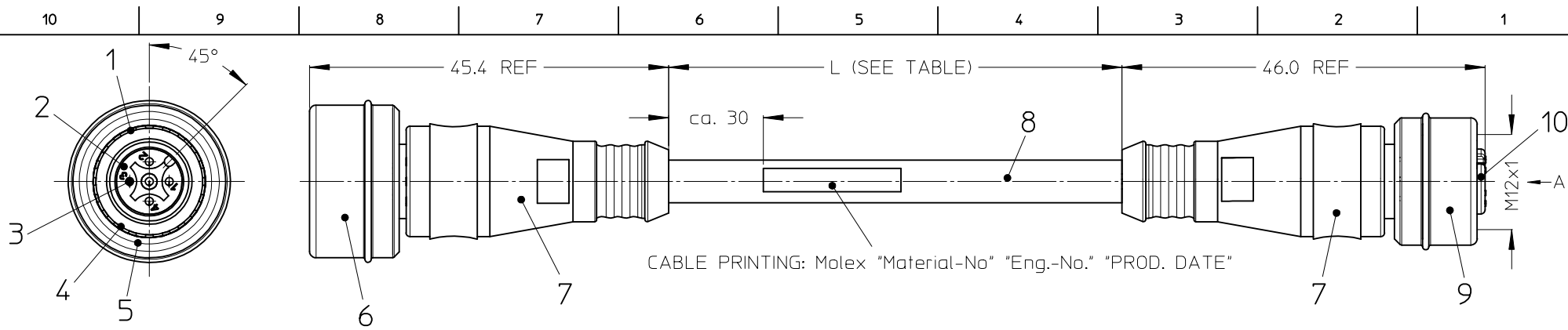


ITEM	COMPONENT	MATERIAL	FINISH
13	O-RING	EPDM	---
12	SPRING	STAINLESS STEEL	---
11	CRIMP CONTACT	COPEPR ALLOY	Au over Ni
10	INSERT	PA6	---
9	PUSH SLEEVE	STAINLESS STEEL	---
8	CABLE	COPPER STRANDING JACKET: PVC	---
7	OVERMOLD	PVC	---
6	PUSH SLEEVE	STAINLESS STEEL	---
5	SPRING SLEEVE	STAINLESS STEEL	---
4	SPRING	STAINLESS STEEL	---
3	PIN CONTACT	COPPER ALLOY	Au over Ni
2	INSERT	PA6	---
1	O-RING	EPDM	---

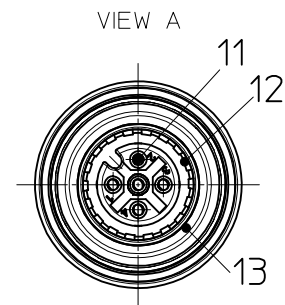
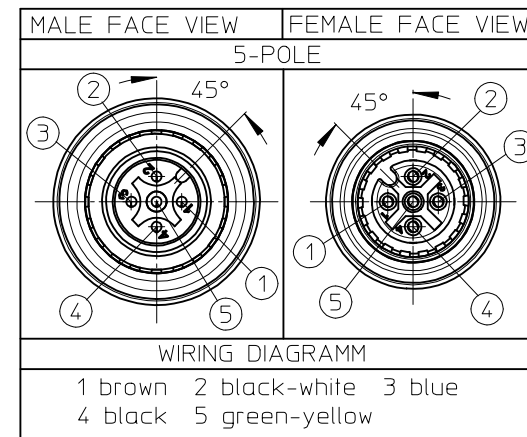
CONNECTOR SPECIFICATION

VOLTAGE RATING	250V VAC/DAC
AMPERAGE RATING	max. 4A
PROTECTION	IP 69K
OPERATING TEMPERATURE	-25 °C TO +105°C

ENTER DESCRIPTION EC NO: IPG2015-0803 DRW:RSCHIEBER 2014/11/19 CHK:DRSILLER 2014/11/19 APPR:CBURGER 2014/11/28	REV B	QUALITY SYMBOLS ▽=0 ▽=0	GENERAL TOLERANCES (UNLESS SPECIFIED) 4 PLACES ± --- ± --- 3 PLACES ± --- ± --- 2 PLACES ± 0.05 ± --- 1 PLACE ± 0.30 ± --- 0 PLACE ± 0.50 ± --- ANGULAR ± 1 ° DRAFT WHERE APPLICABLE MUST REMAIN WITHIN DIMENSIONS	DIMENSION STYLE MM ONLY DRAWN BY: ZISMAYILOV DATE: 2012/09/17 CHECKED BY: RSCHIEBER DATE: 2012/10/31 APPROVED BY: CBURGER DATE: 2012/11/02	SCALE 2:1 DESIGN UNITS METRIC THIRD ANGLE PROJECTION	TITLE CSE U12 U12 XP AC MA STR PVC FE STR XM DE UNSH BK V4A	
						SEE TABLE	
						DOCUMENT NO. SD-120080-080 SHEET NO. 1 OF 2	



PART NUMBER	ENGINEERING Nr.	DESCRIPTION	LENGTH L
1200808084	WW5030F03M0068	CSE U12 5P AC MA STR PVC FE STR 0.6M DE UNSH BK V4A	0.6M
1200808085	WW5030F03M0108	CSE U12 5P AC MA STR PVC FE STR 1M DE UNSH BK V4A	1M
1200808086	WW5030F03M0208	CSE U12 5P AC MA STR PVC FE STR 2M DE UNSH BK V4A	2M
1200808087	WW5030F03M0308	CSE U12 5P AC MA STR PVC FE STR 3M DE UNSH BK V4A	3M
1200808088	WW5030F03M0508	CSE U12 5P AC MA STR PVC FE STR 5M DE UNSH BK V4A	5M
1200808089	WW5030F03M1008	CSE U12 5P AC MA STR PVC FE STR 10M DE UNSH BK V4A	10M



13	O-RING	EPDM	---
12	SPRING	STAINLESS STEEL	---
11	CRIMP CONTACT	COPEPR ALLOY	Au over Ni
10	INSERT	PA6	---
9	PUSH SLEEVE	STAINLESS STEEL	---
8	CABLE	COPPER STRANDING JACKET: PVC	---
7	OVERMOLD	PVC	
6	PUSH SLEEVE	STAINLESS STEEL	---
5	SPRING SLEEVE	STAINLESS STEEL	---
4	SPRING	STAINLESS STEEL	---
3	PIN CONTACT	COPPER ALLOY	Au over Ni
2	INSERT	PA6	---
1	O-RING	EPDM	---
ITEM	COMPONENT	MATERIAL	FINISH

CONNECTOR SPECIFICATION

VOLTAGE RATING	250V VAC/DAC
AMPERAGE RATING	max. 4A
PROTECTION	IP 69K
OPERATING TEMPERATURE	-25 °C TO +105°C

ENTER DESCRIPTION EC NO: IPG2015-0803 DRW:RSCHIEBER 2014/11/19 CHKD:RSCHIEBER 2014/11/19 APPR:CBURGER 2014/11/28	QUALITY SYMBOLS ▽=0 ◻=0	GENERAL TOLERANCES (UNLESS SPECIFIED)		DIMENSION STYLE MM ONLY	SCALE 2:1	DESIGN UNITS METRIC	THIRD ANGLE PROJECTION
		4 PLACES ± --- ± --- 3 PLACES ± --- ± --- 2 PLACES ± 0.05 ± --- 1 PLACE ± 0.30 ± --- 0 PLACE ± 0.50 ± ---	mm INCH DRAWN BY DATE ZISMAYILOV 2012/09/17 CHECKED BY DATE RSCHIEBER 2012/10/31 APPROVED BY DATE CBURGER 2012/11/02	TITLE CSE U12 U12 XP AC MA STR PVC FE STR XM DE UNSH BK V4A			
		ANGULAR ± 1 °		MATERIAL NO. SEE TABLE	DOCUMENT NO. SD-120080-080	SHEET NO. 2 OF 2	
		DRAFT WHERE APPLICABLE MUST REMAIN WITHIN DIMENSIONS		THIS DRAWING CONTAINS INFORMATION THAT IS PROPRIETARY TO MOLEX INCORPORATED AND SHOULD NOT BE USED WITHOUT WRITTEN PERMISSION			