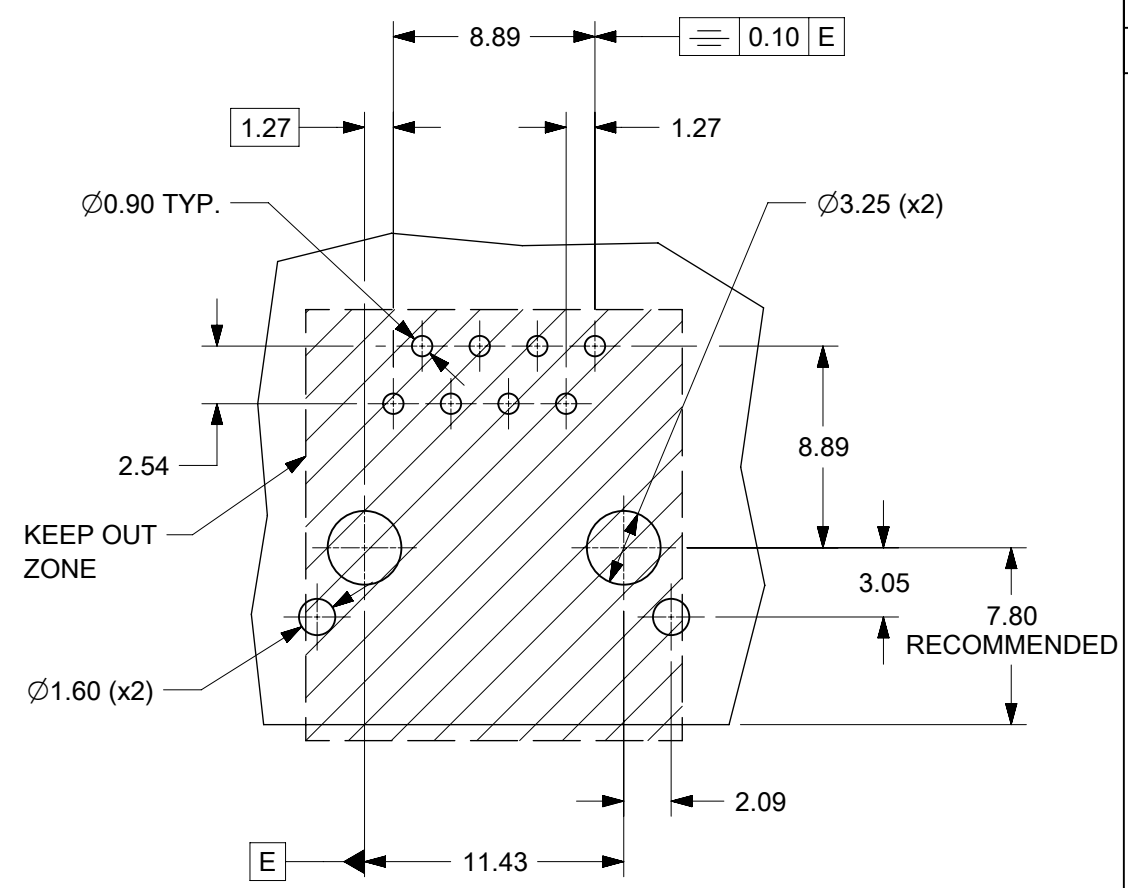
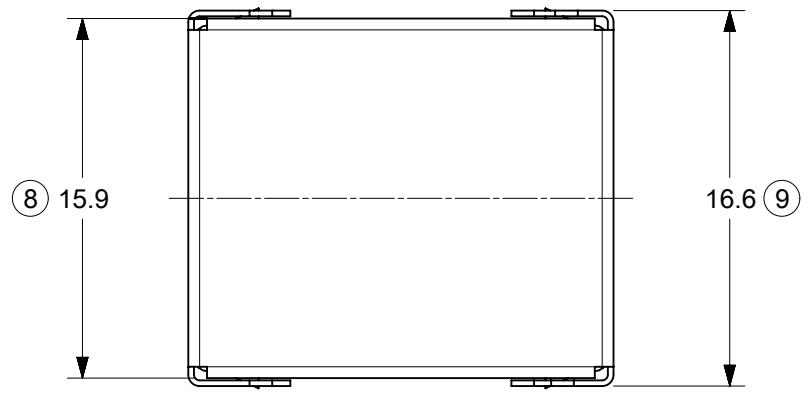
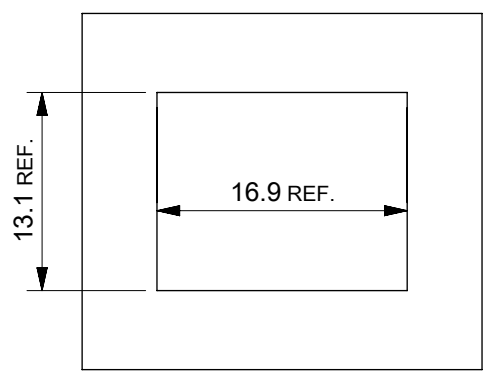


PART NO.	PACKAGING SPEC.
95622-3981	PK-95122-006



RECOMMENDED P.C.B LAYOUT
VIEW FROM COMPONENT SIDE
ALL DIMENSIONS REF DIMENSIONS

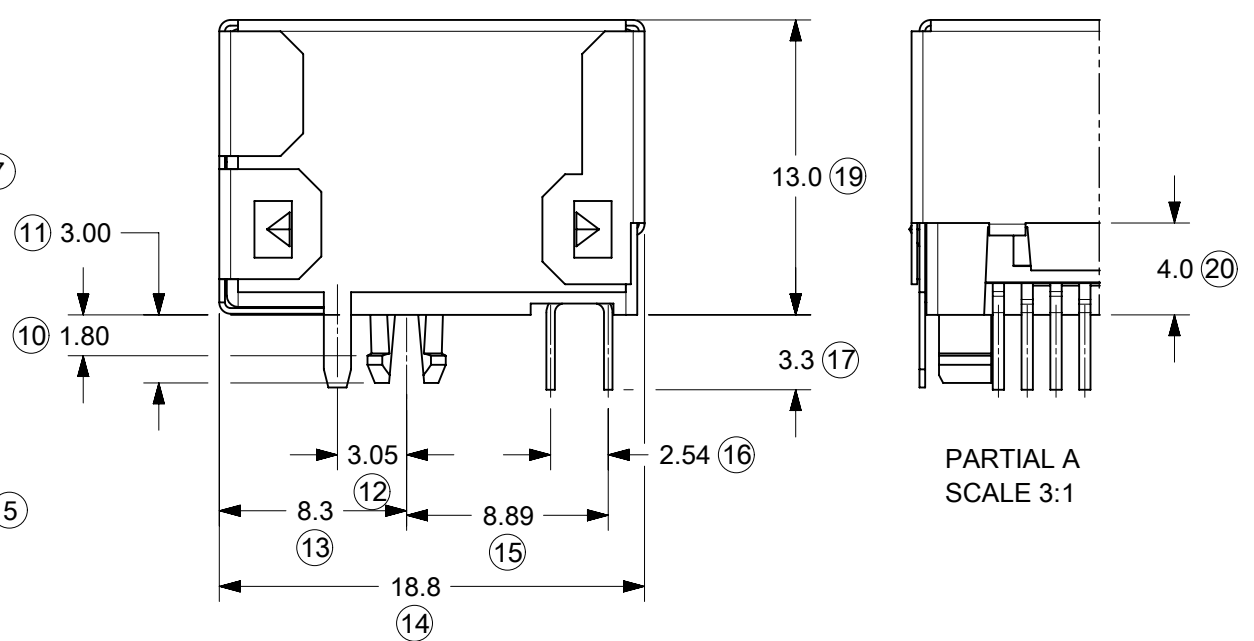
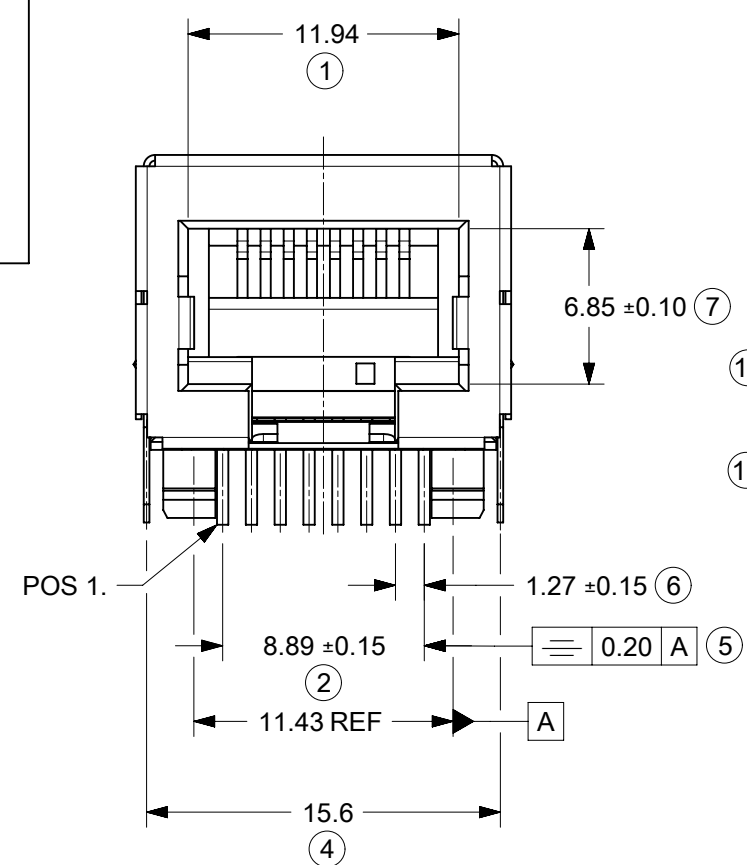
SUGGESTED PANEL CUTOUT
SCALE 2:1



TECHNICAL SPECIFICATIONS:
MATERIAL:
HOUSING: LCP GLASS FILLED UL 94-V0, COLOUR BLACK.
TERMINAL: COPPER ALLOY PLATED WITH:
BASE FINISH: NICKEL
CONTACT SURFACE FINISH:
GOLD
OR
GOLD FLASH OVER PALLADIUM NICKEL.
EXCEEDS PRODUCT REQUIREMENTS BASED ON PS-95622-001
SHIELD: COPPER ALLOY PLATED WITH TIN.

- NOTES:**
- JACK FOR MATING WITH SHIELDED PLUG MOLEX 95043 AND 85568 SERIES.
 - PRODUCT SPECIFICATION: MOLEX PS-95622-001.
 - P.C.B. THICKNESS: 1.57
 - PACKAGING SPECIFICATION: SEE CHART. TUBE PACKAGING.
 - APPLICATION SPECIFICATION: AS-85513-001

LAST INSPECTION NO.: 20
REMOVED INSPECTION NO: 3, 18



PARTIAL A
SCALE 3:1

THIS DRAWING CONTAINS INFORMATION THAT IS PROPRIETARY TO MOLEX ELECTRONIC TECHNOLOGIES, LLC AND SHOULD NOT BE USED WITHOUT WRITTEN PERMISSION									
DIMENSION UNITS		SCALE		CURRENT REV DESC: ADDED PANEL CUTOUT					
mm		3:1		<p>FULLY SHIELDED R/A MODULAR JACK 8 CKTS THROUGH HOLE-VERSION LCP</p> <p>PRODUCT CUSTOMER DRAWING</p>					
GENERAL TOLERANCES (UNLESS SPECIFIED)									
ANGULAR TOL ± 2.0°									
4 PLACES ±		EC NO: 735778							
3 PLACES ±		DRWN: ASWINA 2022/12/26							
2 PLACES ± 0.25		CHK'D: KLANG 2023/01/27							
1 PLACE ± 0.35		APPR: KLANG 2023/01/27							
0 PLACES ±		INITIAL REVISION:		DOCUMENT NUMBER		DOC TYPE		DOC PART	
DRAFT WHERE APPLICABLE MUST REMAIN WITHIN DIMENSIONS		THIRD ANGLE PROJECTION		DRAWING		SERIES		MATERIAL NUMBER	
		A3-SIZE		95622		SEE CHART		GENERAL MARKET	
						SD-95622-003		G2	
								1 OF 1	