



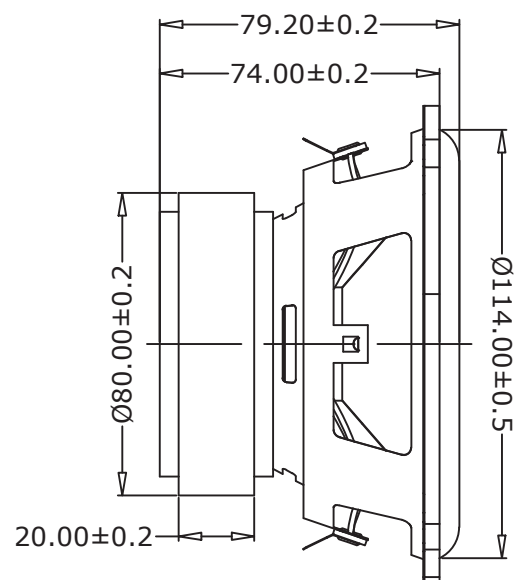
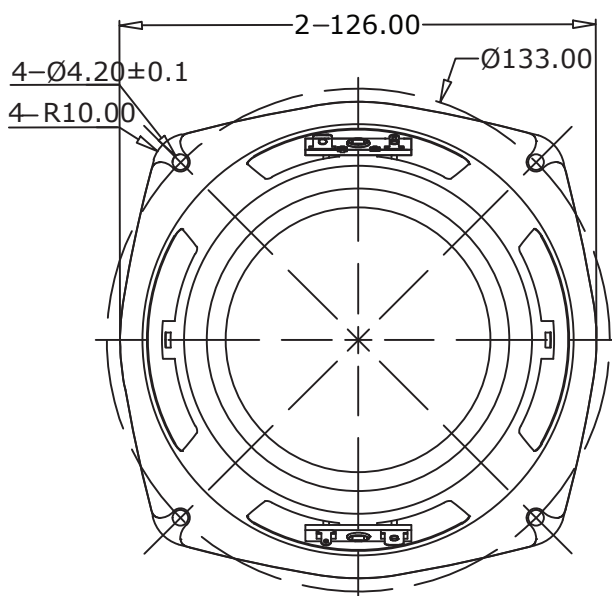
SUBS11580

4.5" Bass Subwoofer Speaker Unit

The SUBS11580 is a 4.5-inch 2+2ohm 40+40Watt bass subwoofer speaker with powerful Ferrite motor.

Features:

- Strong Santoprene surround.
- Aluminium dust cap and PP paper cone design.
- Dual coil configuration with high input power.
- Ø80x20mm large and strong ferrite motor, long excursion design.
- Small equivalent volume, provide very high sound pressure in low profile.



T-S Parameters:

Resonance frequency [fs]	70Hz
Mechanical Q factor [Qms]	2.27
Electrical Q factor [Qes]	1.27
Total Q factor [Qts]	0.81
Force factor [Bl]	3.84Tm
Mechanical resistance [Rms]	1.16kg/s
Moving mass [Mms]	16.49g
Compliance [Cms]	18.98mcm/N
Effective diaph. diameter [D]	98mm
Effective piston area [Sd]	75.43cm ²
Equivalent volume [Vas]	1.53L
Sensitivity (2,83V/1m)	81.3dB

Power Handling:

Rated power input (IEC 268-5)	40+40W
Max power input (IEC 268-5)	60+60W

Electrical Data:

Normal impedance [Zn]	3.55Ω at 1kHz
Minimum impedance [Zmin]	2.24 Ω
Maximum impedance [Zo]	16.05Ω
DC resistance [Re]	2.11Ω
Voice coil inductance [Le]	0.31mH at 1kHz

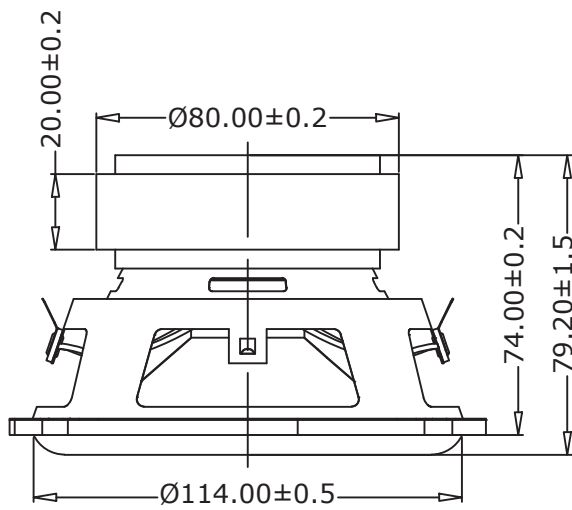
Mechanical Data:

Voice coil diameter	30.5mm
Voice coil height	8mm
Voice coil layer	1
Gap height	5.0mm
Linear excursion	±5mm
Max mech. excursion	±8mm
Unit weight	900g
Driver displacement volume	0.12L

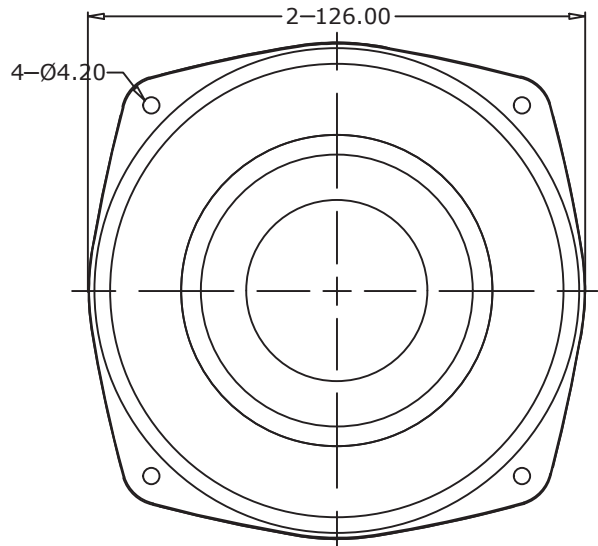


Mechanical Drawing

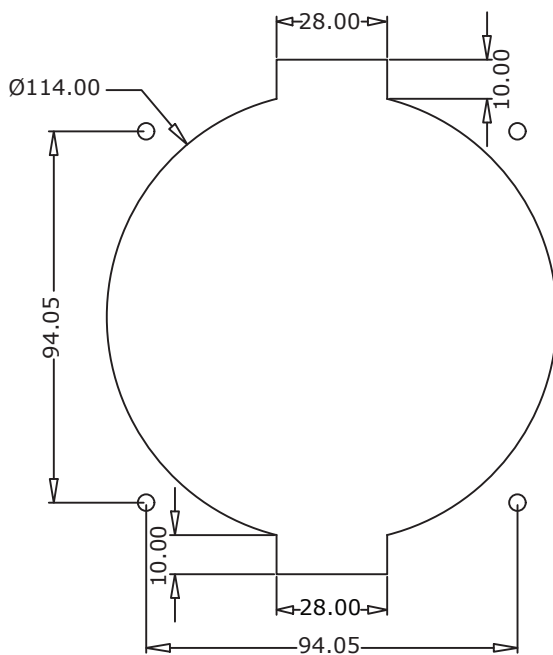
(Nominal Dimensions, mm)



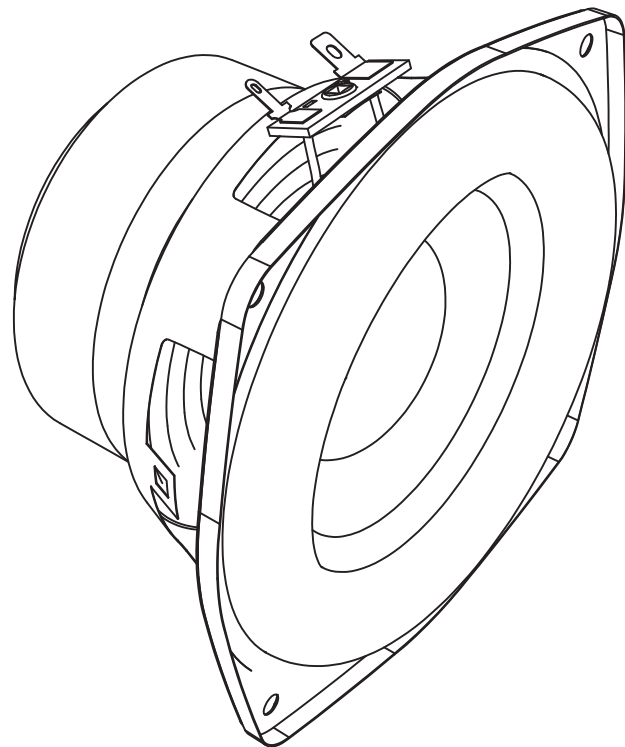
Top View



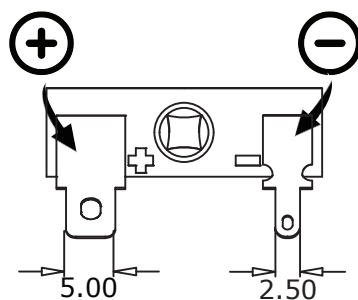
Front View



Installation Hole



3D View



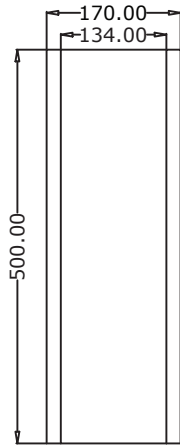
Speaker Connector Details

Note: All views and illustration of the speaker connector are not 1:1 scale.

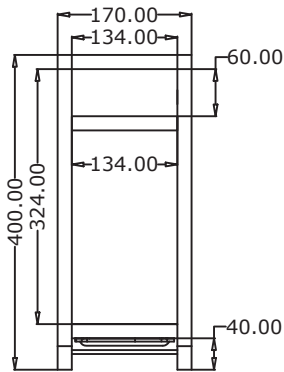


Box Properties 1

Type: Transmission Line
Shape: Prism



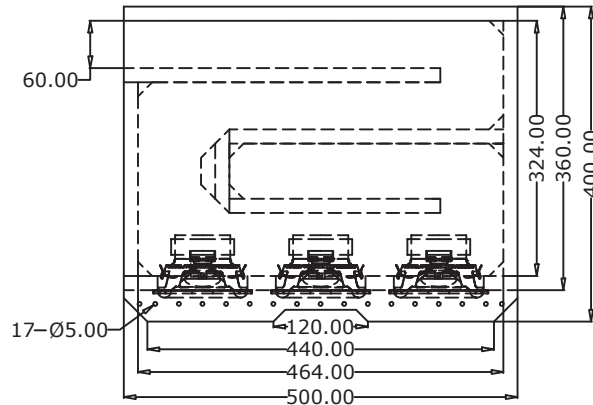
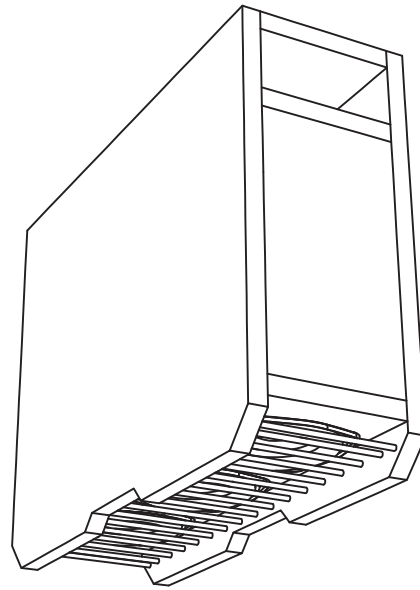
Top View



Front View

Box Parameters

Calculated Vb = 27.6lts
Calculated V (total) = 27.96lts
Actual Vb = 21.71lts
Qtc = 0.846
F3 = 41.39Hz
Fill = Normal



Side View

Notes:

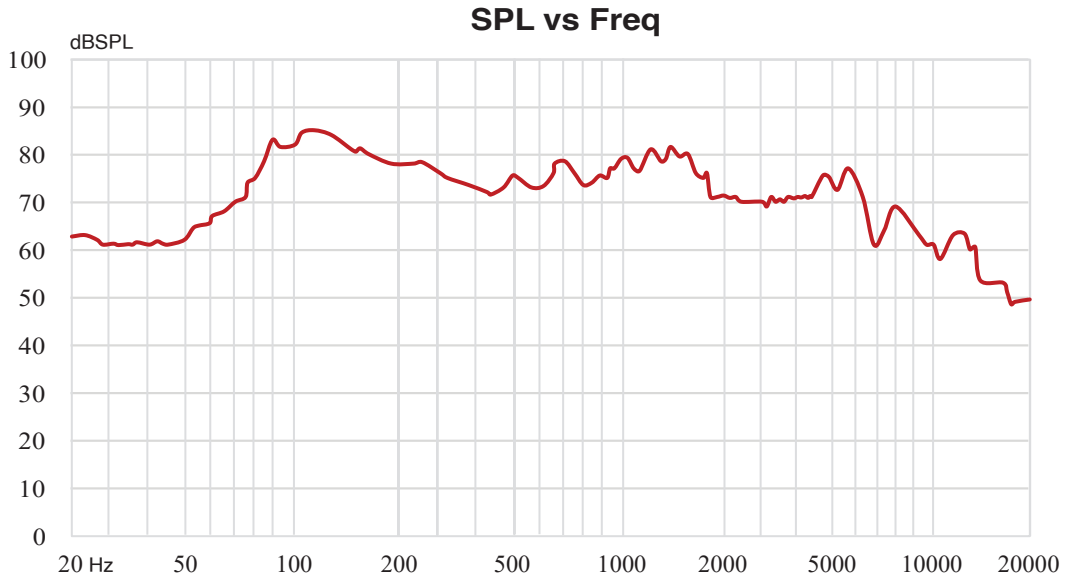
1. This speaker box is designed and optimized for subwoofer unit SUBS11580.
2. 3D model is provided for free in our resale website www.sure-electronics.com.
3. Actual volume is different with calculation value, but tested and verified, it is an optimized value after prototypes.
4. This model might work with 4.5"-5" subwoofer units from other brands, but performance is not guaranteed.
5. This speaker box unit is for sale and not a standard accessory, customer can find in our website.
6. Find JAB5 from Sure Electronics webstore, it has special firmware for this speaker unit.

Speaker With Powerful Bass Application

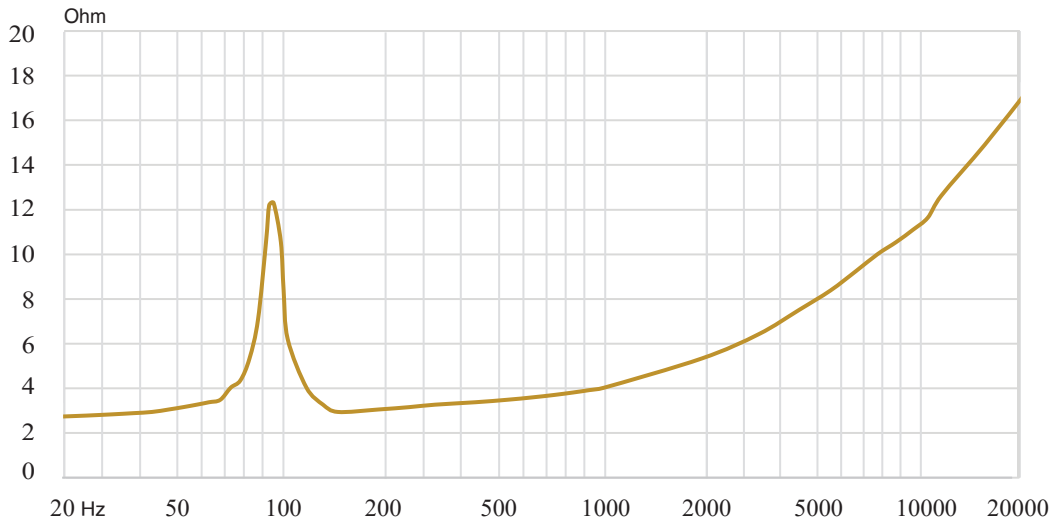




Frequency Response



Impedance Curve



Note: This speaker utilized a dual coil design. The performance shown above entitled for either one of the two coils.

Distributed by:



Sure Electronics Co., Ltd.
Professional Industrial Audio Solution Provider
3F, Building F6, No. 9, Weidi Road,
Xianlin, Qixia Dist., Nanjing, China.
+86(25)8526-0046 | info@sure-electronics.com

To view our products and purchase,
please visit our website:
store.sure-electronics.com

Designed by:



58-7-2, Jalan Cantonment,
Wisma Fortune Heights, 10250, Pulau Pinang, Malaysia.
+60(4)2189323 | info@wondom.com

To view our products, please visit our website:
www.wondom.com



RoHS

- MOQ and SPQ is 1pc speaker per small cardboard box for retail, incremental is one SPQ 1pc.
- MOQ and SPQ is 9pcs small cardboard box per carton (530x290x230mm) for wholesale, incremental is one SPQ 9pcs.
- The wood speaker cabinet is for sale, MOQ and SPQ is 1pc per small cardboard box too.

Drafted:
Approved:
Contisigned: