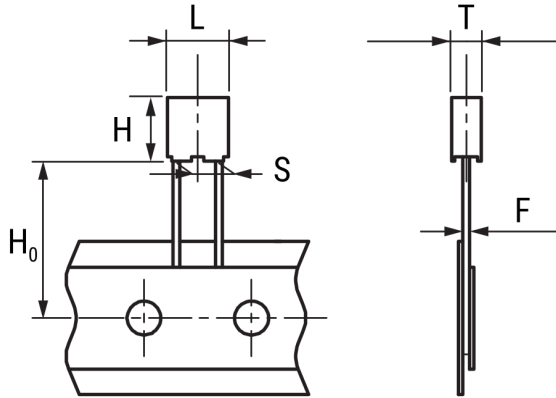


R82EC2330DQ50M

Aliases (82EC2330DQ50M)

R82, Film, Metallized Polyester Stacked, Automotive Grade, 0.033 uF, 20%, 100 VDC, 85°C, Lead Spacing = 5mm



Click [here](#) for the 3D model.

Dimensions

| | |
|----|-----------------|
| L | 7.2mm +0.2mm |
| H | 6.5mm +0.1mm |
| T | 2.5mm +0.1mm |
| S | 5mm +0.6/-0.1mm |
| H0 | 18.5mm +/-0.5mm |
| F | 0.5mm +/-0.05mm |

Packaging Specifications

| | |
|--------------------|-------------------------|
| Packaging | Ammo, 360x340x59mm, Box |
| Packaging Quantity | 3500 |

General Information

| | |
|----------------|--|
| Series | R82 |
| Dielectric | Metallized Polyester Stacked |
| Style | Radial |
| Features | Automotive Grade, DC Multipurpose Applications |
| RoHS | Yes |
| Lead | Wire Leads |
| Qualifications | AEC-Q200 |
| AEC-Q200 | Yes |
| Miscellaneous | Above 85C DC And AC Voltage Derating Is 1.25%/C. |

Specifications

| | |
|-----------------------|------------------------------------|
| Capacitance | 0.033 uF |
| Capacitance Tolerance | 20% |
| Voltage AC | 63 VAC |
| Voltage DC | 100 VDC |
| Temperature Range | -55/+105°C |
| Rated Temperature | 85°C |
| Dissipation Factor | 0.8% 1kHz, 1.2% 10kHz, 2.5% 100kHz |
| Insulation Resistance | 15 GOhms |
| Max dV/dt | 200 V/us |
| Inductance | 7 nH |