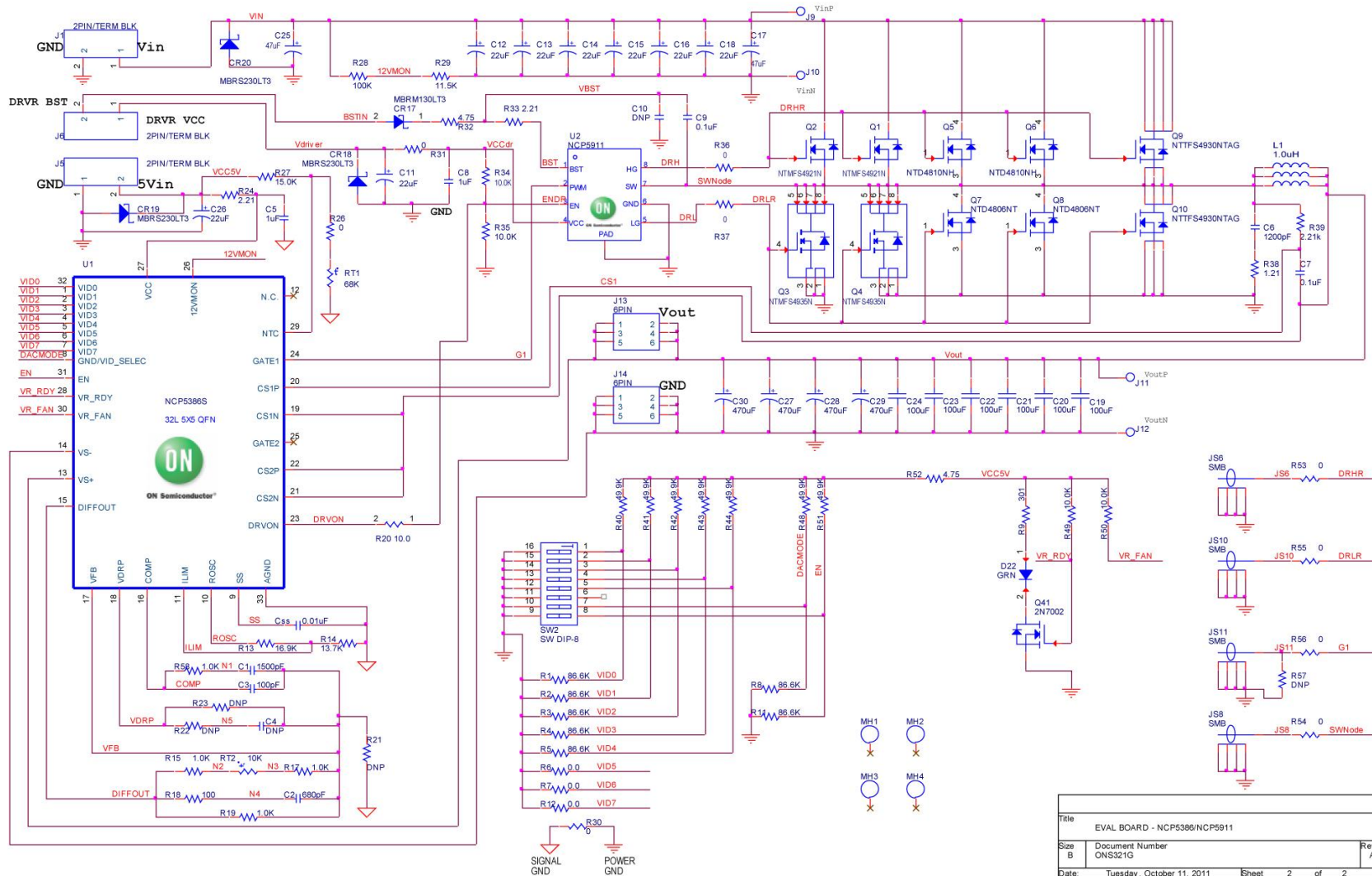




Schematic for the ONS321A5VGEVB Evaluation Board



Title			EVAL BOARD - NCP5386S/NCP5911		
Size	Document Number		Rev		
B	ONS321G		A		
Date:	Tuesday, October 11, 2011	Sheet	2	of 2	