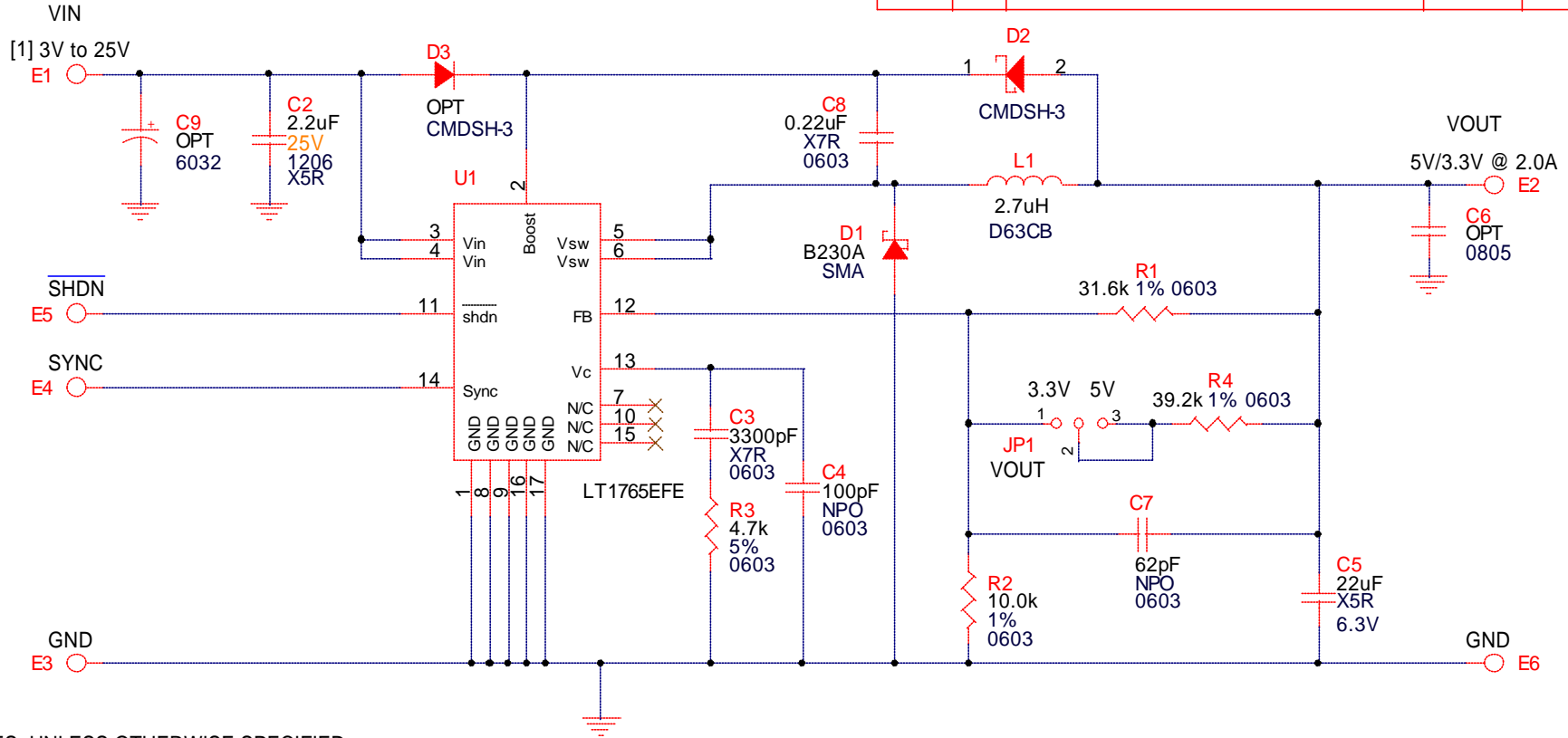


REVISION HISTORY

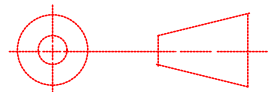
ECO	REV	DESCRIPTION	DATE	APPROVED
	2	PROTO	03-19-02	>



NOTES: UNLESS OTHERWISE SPECIFIED,

- [1] 3V IS IC MINIMUM INPUT VOLTAGE. MINIMUM INPUT VOLTAGE REQUIRED TO MAINTAIN VOUT MAY BE HIGHER. SEE QUICKSTART GUIDE FOR DETAILS.

UNLESS OTHERWISE SPECIFIED
DIMENSIONS ARE IN INCHES
TOLERANCE ON ANGLE ---
2 PLACES --- 3 PLACES ---
INTERPRET DIM AND TOL
PER ASME Y14.5M -1994



DO NOT SCALE DRAWING

CONTRACT NO.

APPROVALS	DATE
DRAWN MEI	11-02-01
CHECKED	
APPROVED	
ENGINEER	
DESIGNER	

Tuesday, May 07, 2002



1630 McCarthy Blvd.
Milpitas, CA 95035
Phone: (408)432-1900
Fax: (408)434-0507

TITLE
SCH,LT1765EFE WIDE INPUT RANGE STEP-DOWN CONVERTER

SIZE	CAGE CODE	DWG NO	REV
A		DC476A	2

SCALE:NONE FILENAME: 476A-1.PCB SHEET 1 OF 1