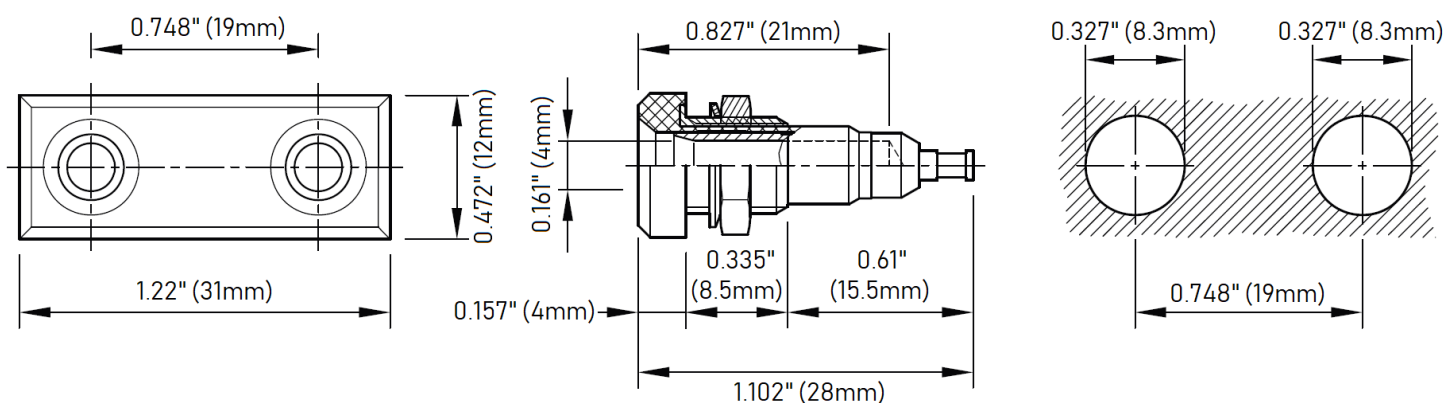


**Model 73101**  
**Panel Mount Double 4mm Banana Jack****Features**

- Convenient one-piece rigid design
- Insulated 4mm double banana jack
- Ideal for screw-mounting onto pre-drilled panels
- Solder turrets for solder connections
- Machined brass
- Includes double banana jack, hex nuts, and washer

**Ratings**

Voltage: 30 V AC / 60 V DC

Current: 25 A

**Ordering Information**Model: 73101-*color**Color*: 0=Black

Panel Mount Double 4mm Banana Jack



**USA:** Sales: 800-490-2361  
Technical Support: [technicalsupport@pomonatest.com](mailto:technicalsupport@pomonatest.com)  
Fax: 425-446-5844  
**Europe:** 31-(0) 40 2675 150 **International:** 425-446-5500  
**Where to Buy:** [www.pomonaelectronics.com](http://www.pomonaelectronics.com)

All dimensions are in inches. Tolerances (except noted): .xx =  $\pm 0.02$ " (.51 mm), .xxx =  $\pm 0.005$ " (.127 mm). All specifications are to the latest revisions. Specifications are subject to change without notice. Registered trademarks are the property of their respective companies.