

CODE	DIM "M" MATING LENGTH	CONTACT TYPE
PE	[1.07]	POWER
S	[N/A]	SIGNAL
R	[N/A]	SIGNAL
P	[N/A]	SIGNAL
N	[N/A]	SIGNAL
X	OMITTED	

spec ref	SEE NOTES			dr	Jackie Huang	2013/07/11	projection 	MM ←→	size	A4	scale	1:1		
tolerance std	TOLERANCES UNLESS OTHERWISE SPECIFIED			eng	Jackie Huang	2013/08/15			ecn no	-				
SEE NOTES				chr	-	-			rel level	Released				
surface ✓	linear	0.X	±0.50	FCI www.fci.com	title	I6S+I2DCP R/A PF RECEPTACLE	cat. no.	product family	PwrBlade	dwg no	51866-055	rev	A	
		0.XX	±0.25											
		0.XXX	±0.10											
	angular	0°	±2°											

PrdE File - REV C - 2009-06-09



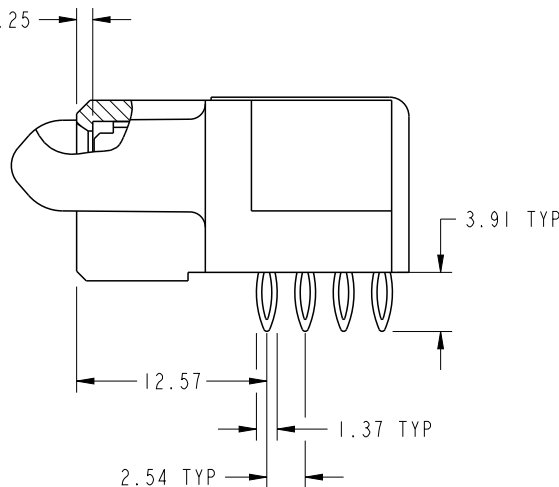
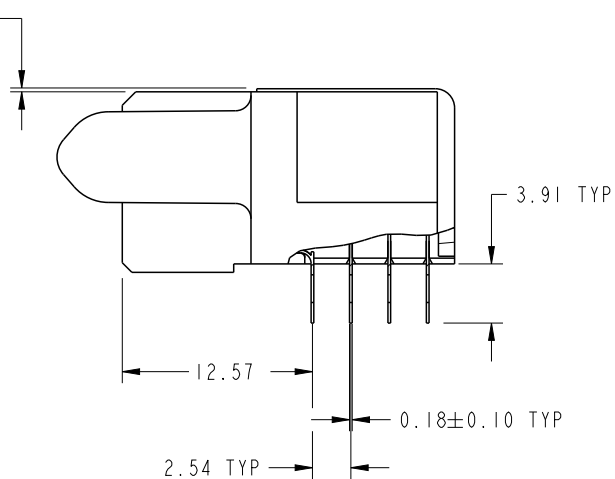
Copyright FCI.

PRODUCT NUMBER

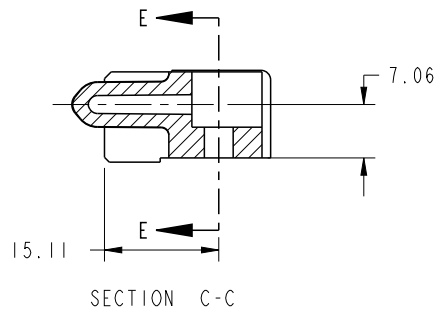
51866-055__
NOTE 3

0.254REF

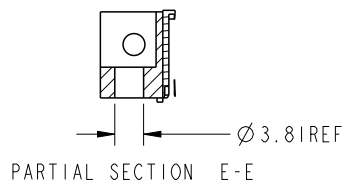
DIM "M" ±0.25



BROKEN-OUT SECTION A-A
SCALE 2:1



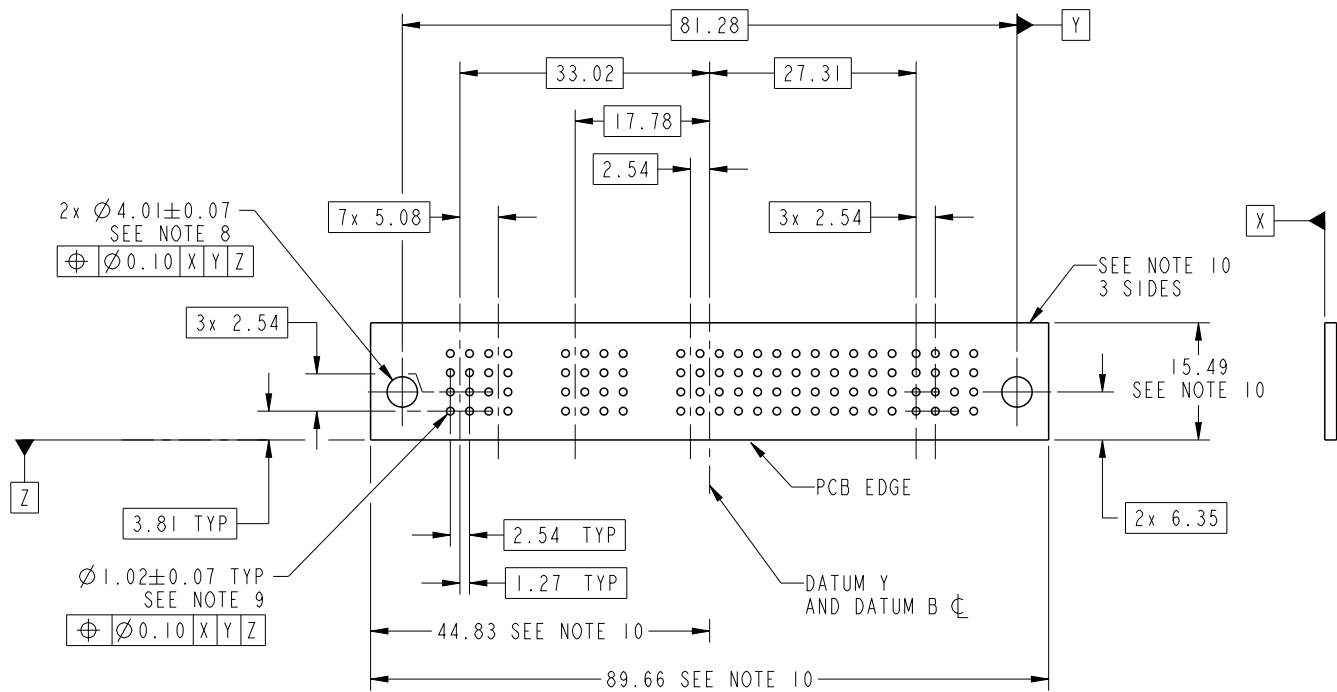
BROKEN-OUT SECTION B-B
SCALE 2:1



dr	Jackie Huang	2013/07/11	projection 	MM ←————→	size	A4	scale	1:1
eng	Jackie Huang	2013/08/15			ecn no	-		
chr	-	-			rel level	Released		
appr	Pei-Ming Zheng	2013/08/15	product family	PwrBlade	rev	51866-055	A	
www.fci.com		cat. no.	Product - Customer Drw		sheet 2 of 4			

PRODUCT NUMBER

51866-055_
NOTE 3



RECOMMENDED PCB LAYOUT

dr	Jackie Huang	2013/07/11	projection 	MM 	size	A4	scale	1:1	
eng	Jackie Huang	2013/08/15			ecn no	-			
chr	-	-			rel level	Released			
appr	Pei-Ming Zheng	2013/08/15	product family	PwrBlade					
		title	I6S+I2DCP R/A PF RECEPTACLE		dwg no	51866-055		rev	A
www.fci.com		cat. no.	Product - Customer Drw			sheet 3 of 4			

PRODUCT NUMBER

51866-055__
NOTE 3

NOTES:

1. DIMENSIONS AND TOLERANCES ARE IN ACCORDANCE WITH ASME Y14.5M, 1994 UNLESS OTHERWISE SPECIFIED.

CONNECTOR NOTES:

- 2. HOUSING MATERIAL: UL 94 V-0 GLASS FILLED HIGH-TEMP THERMOPLASTIC
POWER CONTACT MATERIAL: COPPER ALLOY
SIGNAL PIN MATERIAL: COPPER ALLOY
- 3. SEE ITEM 7 & 8 IN PRINT 10064183 FOR PLATING SPEC OF 51866-055 AND 51866-055LF RESPECTIVELY.

4. MANUFACTURER'S NAME, DATE CODE AND OPTIONAL P/N TO APPEAR ON THIS SURFACE. THE MARK CAN BE OMITTED IF THERE IS NOT ENOUGH SPACE ON THIS SURFACE.

5. PRODUCT SPECIFICATION GS-12-149.
APPLICATION SPECIFICATION BUS-20-067.

6. PACKAGED IN TRAYS.

PCB NOTES:

7. ALL HOLE DIAMETERS ARE FINISHED HOLE SIZE.

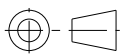
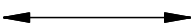

8. MOUNTING HOLES, WHERE APPLICABLE, ARE UNPLATED.

9. $\varnothing 1.151 \pm 0.025$ DRILLED HOLES PLATED WITH
0.008 MIN SnPb OR Sn OVER 0.03
TO 0.08 Cu PLATING TO ACHIEVE
 $\varnothing 1.02 \pm .07$ HOLE.

10. CONNECTOR KEEP-OUT ZONE.

11. THE VOID CORING IN BETWEEN POWER MODULES, SIGNAL MODULES AND END MODULES ARE OPTIONAL AND THE SHAPE MAY BE DIFFERENT FOR OPTIMIZE THE MOLDING PROCESS. THE VOID CORING WILL NOT EFFECT TO PRODUCT FUNCTION.

12. USE FCI CAM TOOL 430140-XXX
TO APPLY CONNECTOR TO PCB.

dr	Jackie Huang	2013/07/11	projection 	MM 	size	A4	scale	1:1			
eng	Jackie Huang	2013/08/15			ecn no	-					
chr	-	-			product family	PwrBlade	rel level	Released			
appr	Pei-Ming Zheng	2013/08/15			title	I6S+I2DCP		dwg no	51866-055	rev	A
www.fci.com					cat. no.	Product - Customer Drw			sheet 4 of 4		