



Solid-state time-delayed auxiliary switch, can be snapped on at the front, time range 1.5...30s, 24 V AC/DC, 2 NO, star-delta (wye-delta) function, sizes S6...S12

product brand name	SIRIUS
product designation	auxiliary switch
design of the product	Star-delta (wye-delta) function
product type designation	3RT19
General technical data	
size of contactor can be combined company-specific	S0 ... S12
product component semi-conductor output	No
product extension required remote control	No
product extension optional remote control	No
insulation voltage for overvoltage category III according to IEC 60664 with degree of pollution 3 rated value	300 V
degree of pollution	3
surge voltage resistance rated value	4 000 V
shock resistance acc. to IEC 60068-2-27	11g / 15 ms
vibration resistance acc. to IEC 60068-2-6	10 ... 55 Hz: 0.35 mm
mechanical service life (switching cycles) typical	10 000 000
electrical endurance (switching cycles) at AC-15 at 230 V typical	100 000
adjustable time	1.5 ... 30 s
relative setting accuracy relating to full-scale value	15 %
recovery time	150 ms
reference code acc. to IEC 81346-2	K
relative repeat accuracy	1 %
Product Function	
product function star-delta circuit	Yes
Control circuit/ Control	
type of voltage of the control supply voltage	AC/DC
control supply voltage 1 at AC	
• at 50 Hz rated value	24 V
• at 60 Hz rated value	24 V
control supply voltage frequency 1	50 ... 60 Hz
• control supply voltage 1 at DC rated value	24 V
operating range factor control supply voltage rated value at DC	
• initial value	0.85
• full-scale value	1.1
operating range factor control supply voltage rated value at AC at 50 Hz	

<ul style="list-style-type: none"> • initial value 	0.85
<ul style="list-style-type: none"> • full-scale value 	1.1
operating range factor control supply voltage rated value at AC at 60 Hz	
<ul style="list-style-type: none"> • initial value 	0.85
<ul style="list-style-type: none"> • full-scale value 	1.1
Switching Function	
switching function	
<ul style="list-style-type: none"> • ON-delay 	No
<ul style="list-style-type: none"> • ON-delay/instantaneous contact 	No
<ul style="list-style-type: none"> • passing make contact 	No
<ul style="list-style-type: none"> • passing make contact/instantaneous contact 	No
<ul style="list-style-type: none"> • OFF delay 	No
switching function	
<ul style="list-style-type: none"> • flashing symmetrically with interval start/instantaneous 	No
<ul style="list-style-type: none"> • flashing symmetrically with interval start 	No
<ul style="list-style-type: none"> • flashing symmetrically with pulse start/instantaneous 	No
<ul style="list-style-type: none"> • flashing symmetrically with pulse start 	No
<ul style="list-style-type: none"> • flashing asymmetrically with interval start 	No
<ul style="list-style-type: none"> • flashing asymmetrically with pulse start 	No
switching function	
<ul style="list-style-type: none"> • constant clock cycle with pulse start 	No
<ul style="list-style-type: none"> • constant clock cycle with interval start 	No
switching function	
<ul style="list-style-type: none"> • variably clocked with pulse start 	No
<ul style="list-style-type: none"> • variably clocked with interval start 	No
switching function	
<ul style="list-style-type: none"> • star-delta circuit with delay time 	No
<ul style="list-style-type: none"> • star-delta circuit 	Yes
switching function with control signal	
<ul style="list-style-type: none"> • additive ON-delay 	No
<ul style="list-style-type: none"> • passing break contact 	No
<ul style="list-style-type: none"> • passing break contact/instantaneous 	No
<ul style="list-style-type: none"> • OFF delay 	No
<ul style="list-style-type: none"> • OFF delay/instantaneous 	No
<ul style="list-style-type: none"> • pulse delayed 	No
<ul style="list-style-type: none"> • pulse delayed/instantaneous 	No
<ul style="list-style-type: none"> • pulse-shaping 	No
<ul style="list-style-type: none"> • pulse-shaping/instantaneous 	No
<ul style="list-style-type: none"> • additive ON-delay/instantaneous 	No
<ul style="list-style-type: none"> • ON-delay/OFF-delay 	No
<ul style="list-style-type: none"> • ON-delay/OFF-delay/instantaneous 	No
<ul style="list-style-type: none"> • passing make contact 	No
<ul style="list-style-type: none"> • passing make contact/instantaneous contact 	No
switching function of interval relay with control signal	
<ul style="list-style-type: none"> • retrotriggerable with deactivated control signal/instantaneous contact 	No
<ul style="list-style-type: none"> • retrotriggerable with switched-on control signal 	No
<ul style="list-style-type: none"> • retrotriggerable with switched-on control signal/instantaneous contact 	No
<ul style="list-style-type: none"> • retriggerable with deactivated control signal 	No
design of the control terminal non-floating	No
Short-circuit protection	
design of the fuse link for short-circuit protection of the auxiliary switch required	fuse gL/gG: 4 A
Auxiliary circuit	
number of NC contacts	

<ul style="list-style-type: none"> • delayed switching • instantaneous contact 	0
number of NO contacts	0
<ul style="list-style-type: none"> • delayed switching • instantaneous contact 	1
number of CO contacts	1
<ul style="list-style-type: none"> • delayed switching • instantaneous contact 	0
operational current of auxiliary contacts at AC-15	0
<ul style="list-style-type: none"> • maximum 	3 A
operational current of auxiliary contacts as NC contact at AC-15	
<ul style="list-style-type: none"> • at 24 V • at 250 V 	3 A
	3 A
operational current of auxiliary contacts as NO contact at AC-15	
<ul style="list-style-type: none"> • at 24 V • at 250 V 	3 A
	3 A
operational current of auxiliary contacts at DC-13	
<ul style="list-style-type: none"> • at 24 V • at 125 V • at 250 V 	1 A
	0.2 A
	0.1 A
Inputs/ Outputs	
product function	
<ul style="list-style-type: none"> • at the relay outputs switchover delayed/without delay • non-volatile 	No
	No
Electromagnetic compatibility	
EMC immunity acc. to IEC 61812-1	EN 61000-6-2
conducted interference	
<ul style="list-style-type: none"> • due to burst acc. to IEC 61000-4-4 • due to conductor-earth surge acc. to IEC 61000-4-5 • due to conductor-conductor surge acc. to IEC 61000-4-5 	2 kV network connection / 1 kV control connection
	2 kV
	1 kV
field-based interference acc. to IEC 61000-4-3	10 V/m
electrostatic discharge acc. to IEC 61000-4-2	4 kV contact discharge / 8 kV air discharge
Safety related data	
touch protection against electrical shock	finger-safe
protection class IP on the front acc. to IEC 60529	IP20
type of insulation	Basic insulation
category acc. to EN 954-1	none
Connections/ Terminals	
product function removable terminal for auxiliary and control circuit	No
type of electrical connection for auxiliary and control circuit	screw-type terminals
type of connectable conductor cross-sections	
<ul style="list-style-type: none"> • solid • finely stranded with core end processing • at AWG cables solid • at AWG cables stranded 	1x (0.5 ... 4.0 mm ²), 2x (0.5 ... 2.5 mm ²)
	1x (0.5 ... 2.5 mm ²), 2x (0.5 ... 1.5 mm ²)
	2x (20 ... 14)
	2x (20 ... 14)
<ul style="list-style-type: none"> • connectable conductor cross-section solid • connectable conductor cross-section finely stranded with core end processing 	0.5 ... 4 m ²
	0.5 ... 2.5 m ²
<ul style="list-style-type: none"> • AWG number as coded connectable conductor cross section solid • AWG number as coded connectable conductor cross section stranded 	18 ... 14
	18 ... 14
Installation/ mounting/ dimensions	
mounting position	any

fastening method	clip-on
height	46 mm
width	33 mm
depth	73 mm
required spacing	
<ul style="list-style-type: none"> ● with side-by-side mounting <ul style="list-style-type: none"> — forwards 0 m — backwards 0 m — upwards 0 m — downwards 0 m — at the side 0 m ● for grounded parts <ul style="list-style-type: none"> — forwards 0 m — backwards 0 m — upwards 0 m — at the side 0 m — downwards 0 m ● for live parts <ul style="list-style-type: none"> — forwards 0 m — backwards 0 m — upwards 0 m — downwards 0 m — at the side 0 m 	

Ambient conditions	
installation altitude at height above sea level maximum	2 000 m
<ul style="list-style-type: none"> ● ambient temperature during operation -25 ... +60 °C ● ambient temperature during storage -40 ... +85 °C ● ambient temperature during transport -40 ... +85 °C 	
relative humidity during operation	15 ... 95 %

Certificates/ approvals

General Product Approval	EMC	Declaration of Conformity
---------------------------------	------------	----------------------------------



[Miscellaneous](#)

Declaration of Conformity	Test Certificates	Marine / Shipping
----------------------------------	--------------------------	--------------------------



[Miscellaneous](#)

[Special Test Certificate](#)



Marine / Shipping	other	Railway
--------------------------	--------------	----------------



[Confirmation](#)

[Miscellaneous](#)

[Special Test Certificate](#)

Further information

Information- and Downloadcenter (Catalogs, Brochures,...)

<https://www.siemens.com/ic10>

Industry Mall (Online ordering system)

<https://mall.industry.siemens.com/mall/en/en/Catalog/product?mlfb=3RT1926-2GJ51>

Cax online generator

<http://support.automation.siemens.com/WW/CAXorder/default.aspx?lang=en&mlfb=3RT1926-2GJ51>

Service&Support (Manuals, Certificates, Characteristics, FAQs,...)

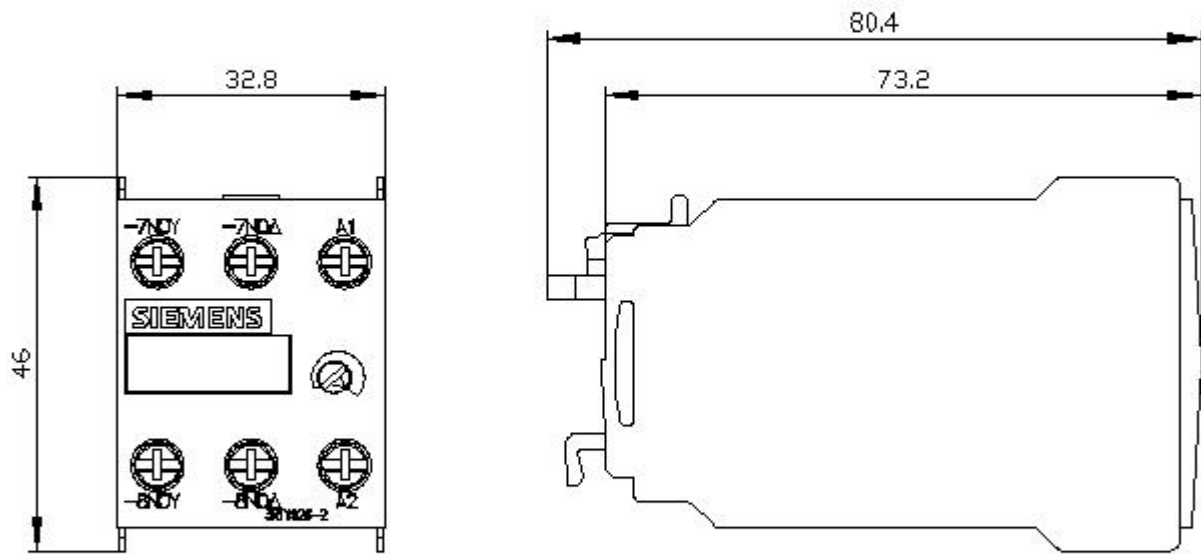
<https://support.industry.siemens.com/cs/ww/en/ps/3RT1926-2GJ51>

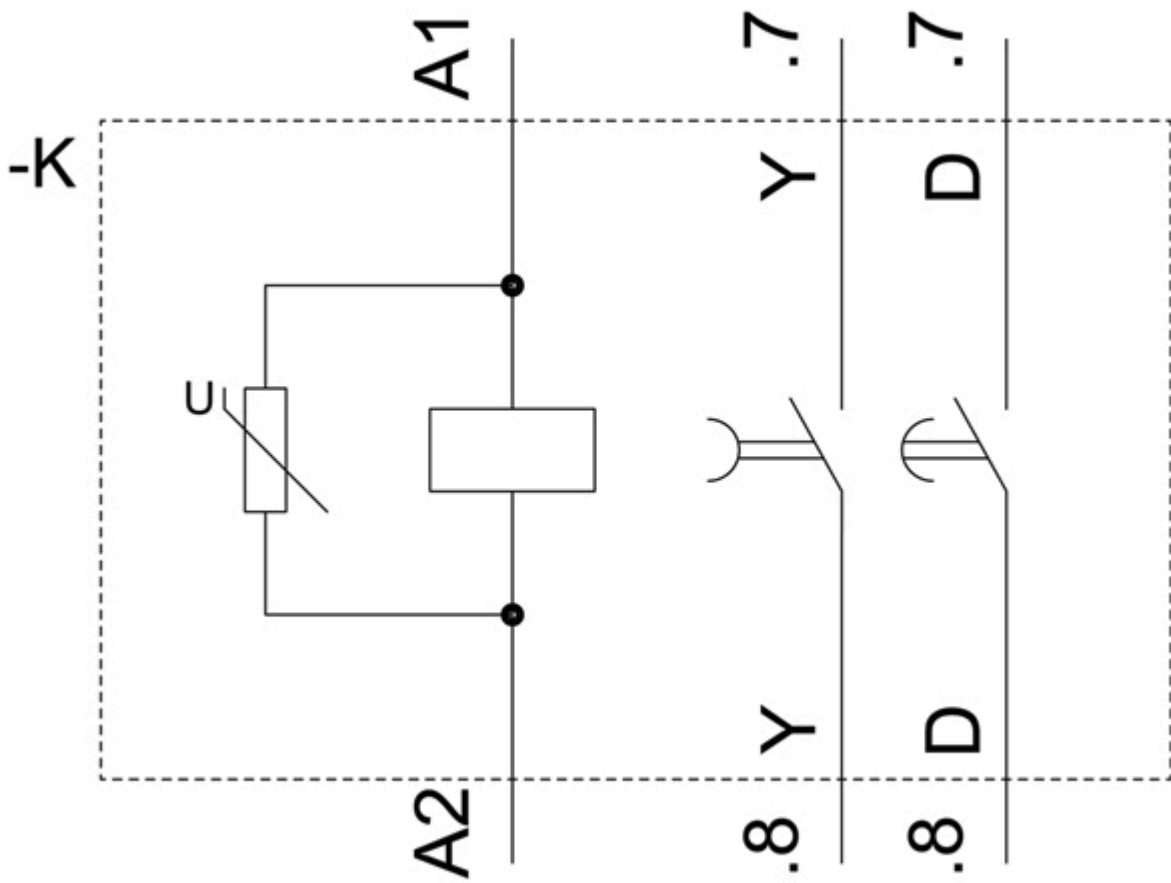
Image database (product images, 2D dimension drawings, 3D models, device circuit diagrams, EPLAN macros, ...)

http://www.automation.siemens.com/bilddb/cax_de.aspx?mlfb=3RT1926-2GJ51&lang=en

Characteristic: Derating

<https://support.industry.siemens.com/cs/ww/en/ps/3RT1926-2GJ51/manual>





last modified:

12/19/2020 