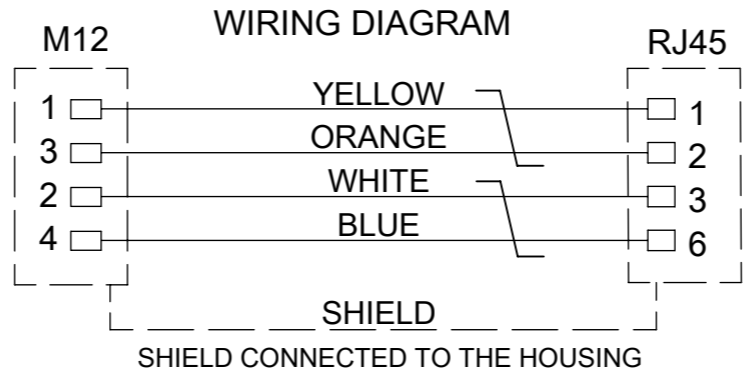
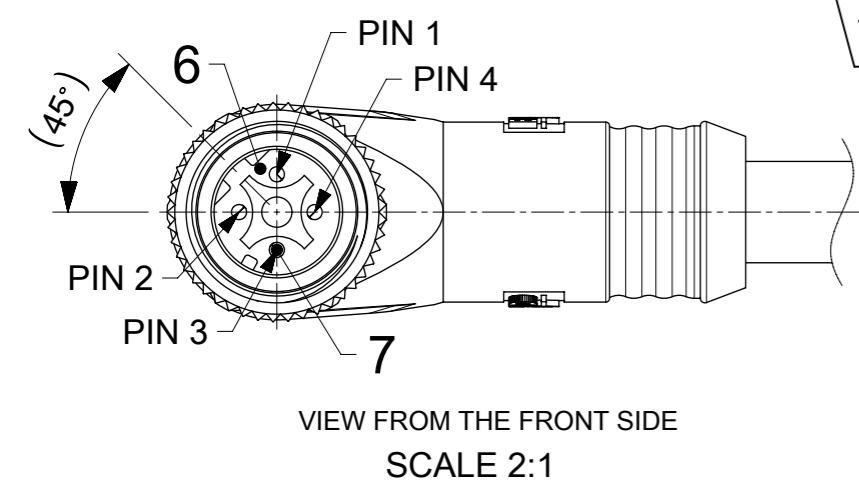
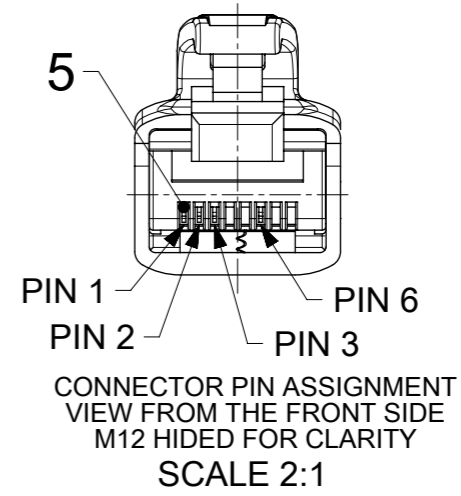
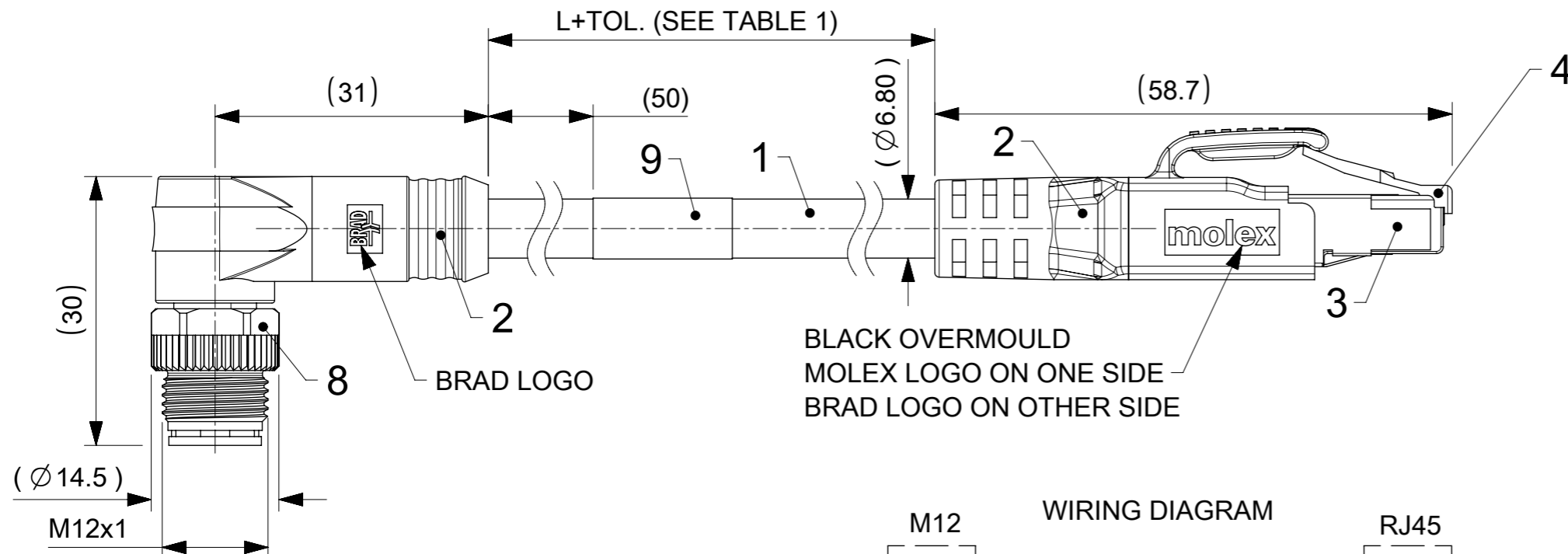
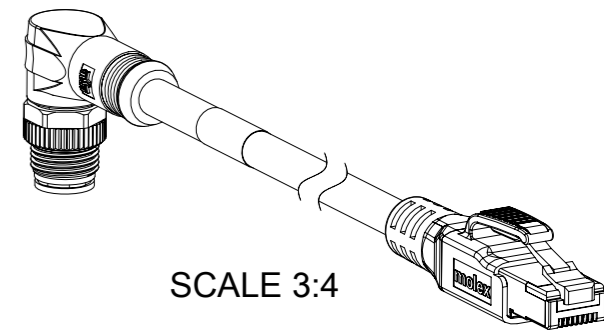


# PART No. MATRIX

**E 1 6 A 0 6 2 1 2 M X X X X**

E=ETHERNET  
 HEADS: 1 = M12 4P D-Code 6 = RJ45  
 HEADS STYLE: 062 = MALE M12 RA(90°) / RJ45 PLUG STR  
 CABLE TYPE: CABLE 12  
 UNITS: M= METER T= 10x METER  
 LENGTH EXAMPLES: 005=0.5 m 010=1 m 150=15 m T100=100 m  
 H= 2 PCS. OF I/D Carrier  
 WIRING TYPE: A=4 Pole (STRAIGHT WIRED)



TECHNICAL DATA :  
 M12 D-Coded to RJ45 CAT5e Cordset AWG22  
 90° green inline 360° shielded.

Poles : 4  
 Max. Voltage : 30V A.C. or 42V D.C.  
 Max. Current : 1.5A  
 Contact resistance : ≤10mΩ  
 Insulation Withstand : >100MΩ  
 Protection M12 / RJ45 : IP67 / IP20  
 Temperature range : -25°C to 85°C

Transmission characteristics  
 ACCORDING TO ISO 11801 CATEGORY 5e  
 PATCH CORD PROFINET TYPE C  
 Packaging :  
 The cordsets are packed in a polybag.

| ITEM NO. | MOLEX PN   | ENGINEERING NO. | LENGTH (L) [m] |
|----------|------------|-----------------|----------------|
| 1        | 1201088392 | E16A06212M030   | 3              |
| 2        | 1201088558 | E16A06212M020   | 2              |

| LENGTH   | TOLERANCE  |
|----------|------------|
| 0m-1m    | +40 mm     |
| >1m-5m   | +60 mm     |
| >5m-10m  | +80 mm     |
| >10m-20m | +140 mm    |
| >20m-30m | +160 mm    |
| >30m     | +1% length |

## BOM

| ITEM | QTY. | DESCRIPTION                    | MATERIAL | FINISH         |
|------|------|--------------------------------|----------|----------------|
| 9    | 1    | LABEL                          | VINYL    | YELLOW         |
| 8    | 1    | COUPLING NUT M12 MALE          | BRASS    | NICKEL         |
| 7    | 4    | CONTACTS M12 MALE              | BRASS    | SELECTIVE GOLD |
| 6    | 1    | INSERT 4P MALE                 | PUR      | BLACK          |
| 5    | 4    | CONTACT RJ45 MALE              | PB       | SELECTIVE GOLD |
| 4    | 1    | PLUG RJ45 TRANSPARENT          | PC       | -              |
| 3    | 1    | RJ-45 PLUG, 4C, SHLD           | BRASS    | TIN            |
| 2    | -    | MOULDING MATERIAL              | TPU      | BLACK          |
| 1    | -    | CABLE ProfINET 2x2x#22 WSOR SH | TPU      | GREEN          |

THIS DRAWING CONTAINS INFORMATION THAT IS PROPRIETARY TO MOLEX ELECTRONIC TECHNOLOGIES, LLC AND SHOULD NOT BE USED WITHOUT WRITTEN PERMISSION

FUNCTIONAL DIMENSION UNITS: mm SCALE: 3:2

GENERAL TOLERANCES (UNLESS SPECIFIED):

ANGULAR TOL ± °

4 PLACES ±

3 PLACES ±

2 PLACES ±

1 PLACE ±

0 PLACES ±

DRAFT WHERE APPLICABLE MUST REMAIN WITHIN DIMENSIONS

THIRD ANGLE PROJECTION

DRAWING: A3-SIZE

SERIES: 120108

MATERIAL NUMBER: SEE TABLE 1

CUSTOMER: GENERAL MARKET

SHEET NUMBER: 1 OF 1

EC NO: 640263  
 DRWN: SSM 2021/04/01  
 CHK'D: RSILLER 2021/06/02  
 APPR: RSILLER 2021/06/02

INITIAL REVISION:  
 DRWN: JMARSZALEK 2016/03/08  
 APPR: RSILLER 2021/06/02

DOCUMENT NUMBER: 1201088392

DOC TYPE: PSD

DOC PART: 000

REVISION: A

**molex**

CSE M12 ETH 4P DC MA RA WSOR RJ45 STR XM DE SHLD D6.8 GN

PRODUCT CUSTOMER DRAWING