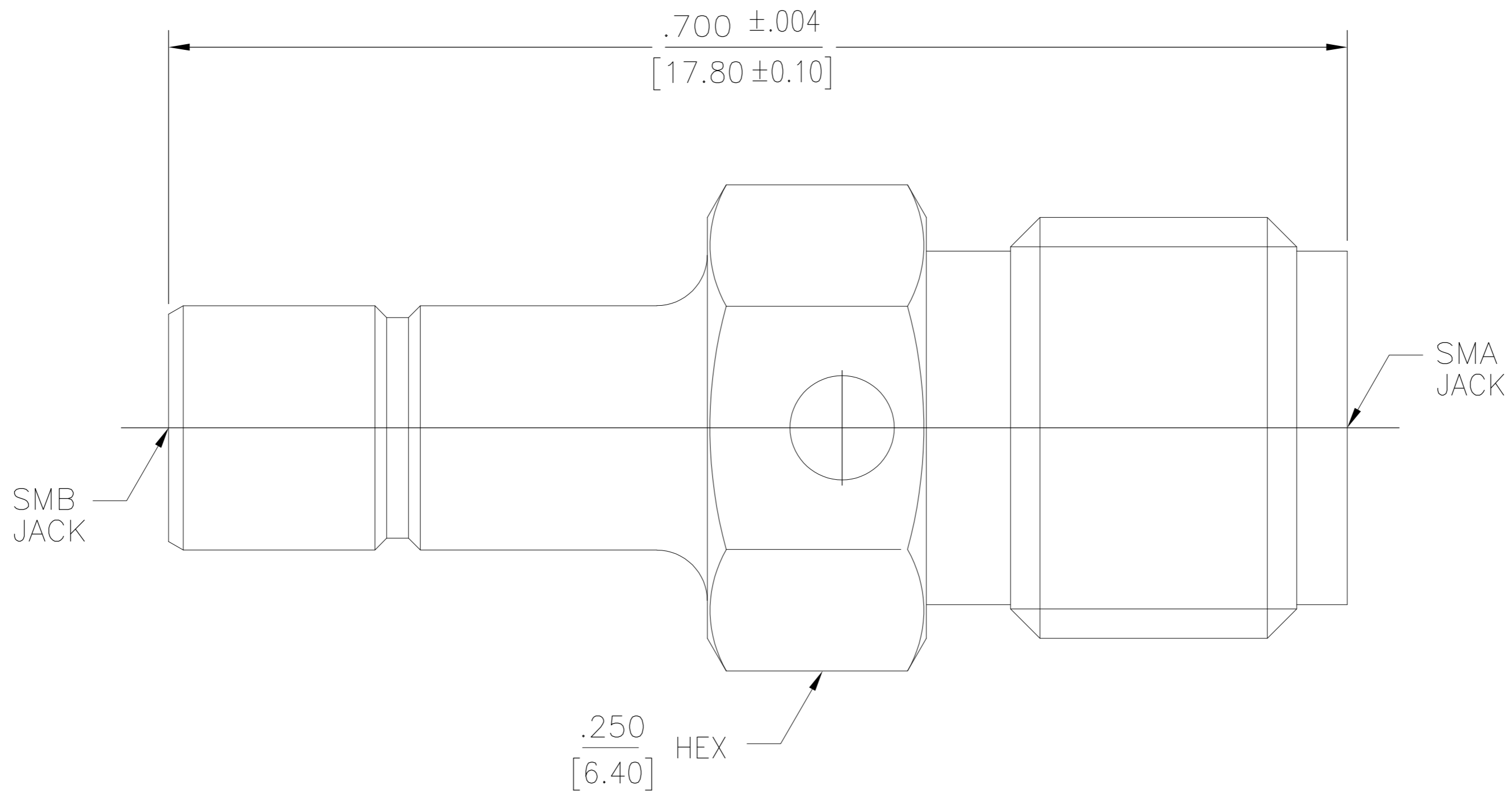


THIS DRAWING IS UNPUBLISHED. RELEASED FOR PUBLICATION  
 © COPYRIGHT BY TYCO ELECTRONICS CORPORATION. ALL RIGHTS RESERVED.

LOC	DIST	REVISIONS					
AJ	00	P	LTR	DESCRIPTION	DATE	DWN	APVD
		B		REV PER ECO 07-027477	12DEC2007	DW	JL



1060487-1  
 PART NUMBER

HOUSING	STAINLESS STEEL PER ASTM-A484 AND ASTM-A582, TYPE 303	GOLD PLATE PER MIL-G-45204
DIELECTRIC	PTFE FLUOROCARBON PER ASTM-D-1457	N/A
CENTER CONTACT	BERYLLIUM COPPER PER ASTM-B-196 OR ASTM-B-197, ALLOY C17300, CONDITION H	GOLD PLATE PER MIL-G-45204
COMPONENT	MATERIAL	FINISH

NOTES:  
 1. CAPTURED CENTER CONTACT.

THIS DRAWING IS A CONTROLLED DOCUMENT.		DWN	4-20-77	Tyco Electronics Corporation Harrisburg, PA 17105-3608
DIMENSIONS: INCHES		DRW	4-25-77	
TOLERANCES UNLESS OTHERWISE SPECIFIED:		CHK	4-25-77	
0 PLC ± - 1 PLC ± - 2 PLC ± - 3 PLC ± .005 [0.13] 4 PLC ± - ANGLES ± 1°		APVD	4/25/77	
MATERIAL	FINISH	PRODUCT SPEC	NAME	SMA JACK TO SMB JACK ADAPTER (5180-2240-00)
-	-	APPLICATION SPEC	SIZE	CAGE CODE
		WEIGHT	A2	00779
		CUSTOMER DRAWING	DRAWING NO. 1060487-1	
		SCALE	1:1	SHEET 1 of 1
		REV	B	