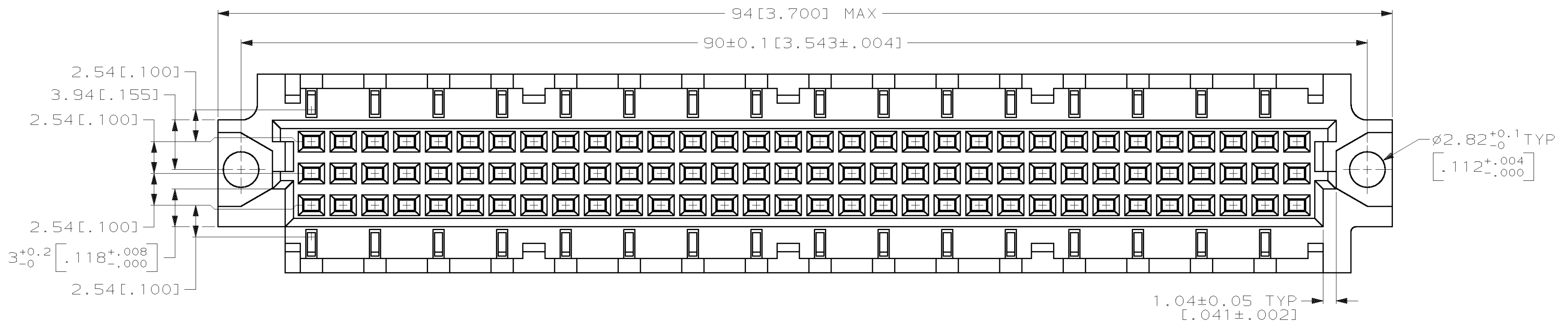
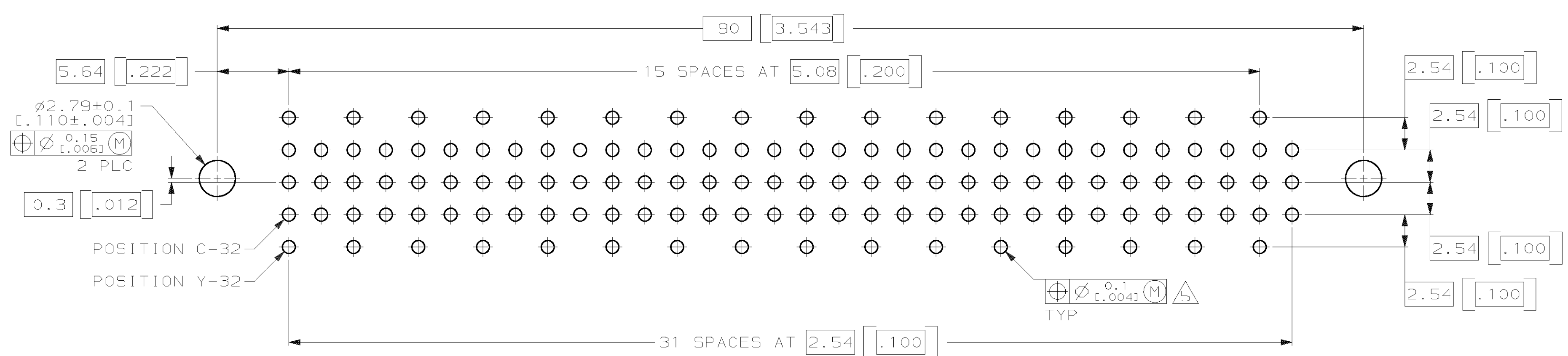
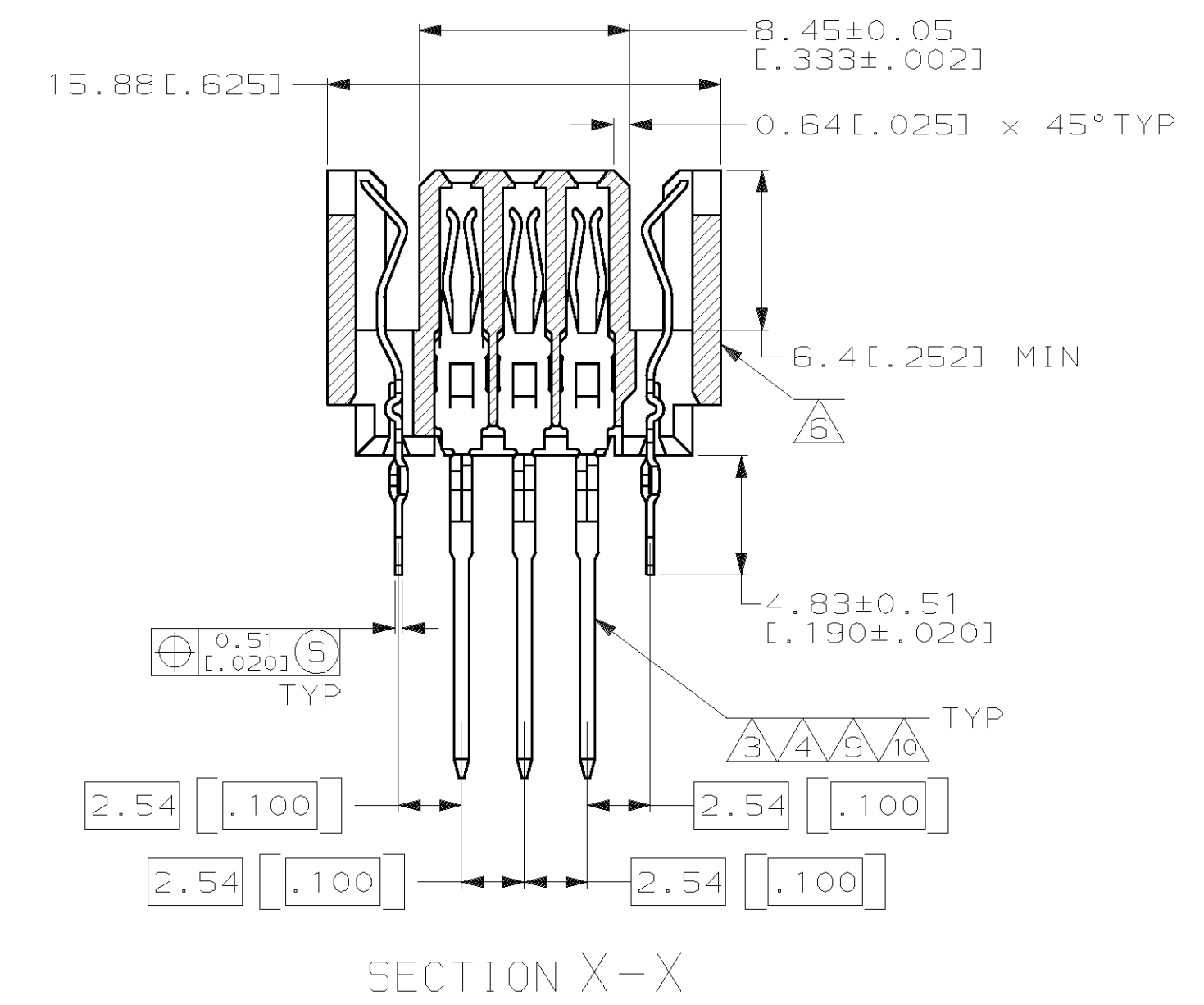
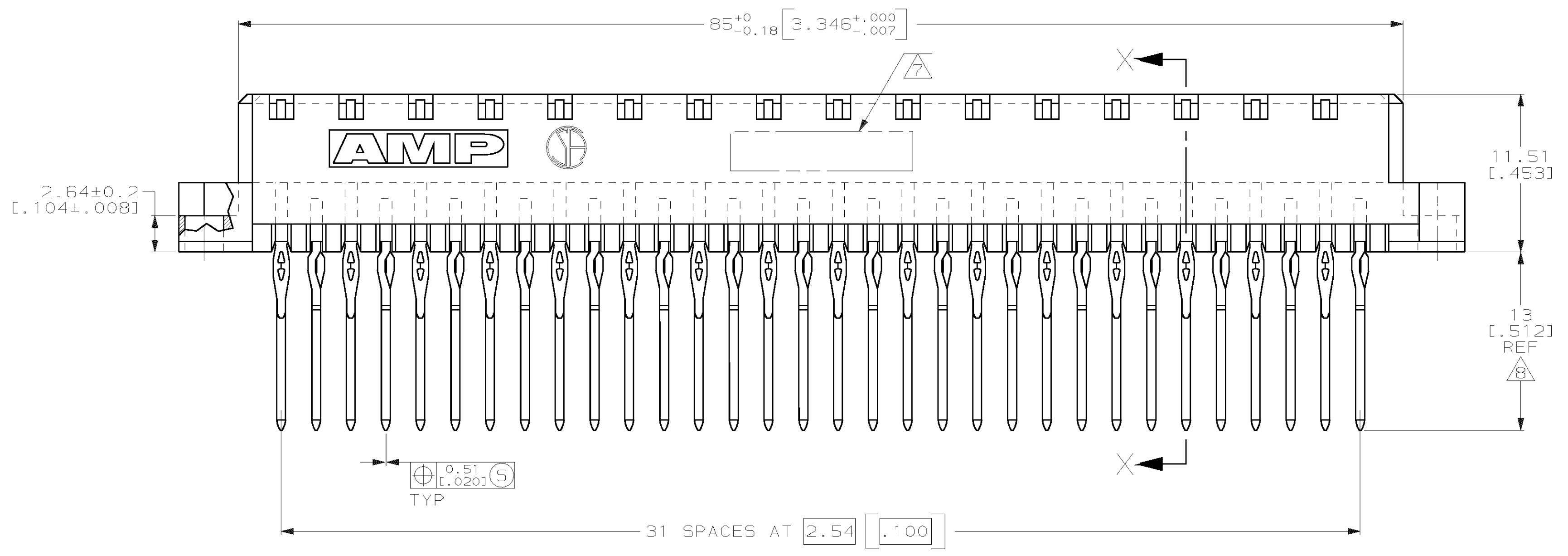


LOC		DIST		P		ZONE		LTR		REVISIONS		
AD	25									DESCRIPTION	DATE	APPD
									C	REV PER EC 0U1B-0136-99	05 OCT 99	CR
									D	REV PER EC 0U1B-0060-00	20 MAR 00	CR
									F	REV PER EC 0512-0016-03	21 MAY 03	AS



- △ HOUSING MATERIAL: GLASS-FILLED POLYESTER. COLOR: GRAY.
- △ CONTACT MATERIAL: PHOSPHOR BRONZE.
- △ CONTACT FINISH: DIN 41612 CLASS 2 IN CONTACT AREA. TIN-LEAD PLATE ON TAILS.
- △ CONTACT FINISH: DIN 41612 CLASS 2 IN CONTACT AREA AND LAST 5.08 [.200] OF TAILS.
- △ ACTION PIN POSTS REQUIRE 1.57 [.062] MINIMUM THICK PC BOARD. RECOMMENDED PC BOARD HOLES ARE 1.151±0.025 [.0453±.0010] DIAMETER DRILLED WITH 0.02-0.08 [.001-.003] COPPER AND 0.008 [.0003] MINIMUM TIN-LEAD PLATING. FINISHED HOLE AFTER PLATING IS 1.02±0.08 [.040±.003] DIAMETER.
- △ HOT-STAMPING ON THIS SIDE.
- △ PART NUMBER, DATE CODE, HOT STAMPED THIS APPROXIMATE AREA.
- △ TAIL LENGTH AFTER SEATING IN PC BOARD.
- △ CONTACT FINISH: 0.00127 [.000050] MIN NICKEL UNDERPLATE ALL OVER, 0.00127 [.000050] MIN GOLD IN CONTACT AREA MATING AREA AND THE LAST .200 OF THE TAIL. THE REMAINDER OF THE TAIL PLATED WITH GOLD FLASH.
- △ CONTACT FINISH: 0.00127 [.000050] GOLD IN CONTACT AREA. 0.00127 [.000050] NICKEL UNDERPLATE ALL OVER. TIN-LEAD PLATE ON TAILS.



OBSOLETE	ALL POSITIONS	△3	△3	△4	△4	△4	128	1-148060-5
	ALL POSITIONS	△10	△10	△9	△9	△9	128	1-148060-1
OBSOLETE	ALL POSITIONS	△3	△3	△3	△3	△3	128	148060-5
	POSITIONS LOADED	Y	X	C	B	A	NO. OF LOADED POSITIONS	PART NUMBER

DO NOT SCALE PRINT. UNLESS SPECIFIED DIMENSIONS IN mm [INCHES]		TOLERANCES ON:		PART NO	
2 PLC DEC	±0.13 [.005]	DR	L. BRINER 7/28/94	AMP AMP Incorporated Harrisburg, PA 17105-3508	
3 PLC DEC	±	CHK	R. PATTERSON 8/9/94		
ANGLES	±	APPD	R. PATTERSON 8/9/94	NAME	
		APPD	R. PATTERSON 8/9/94	RECEPTACLE ASSEMBLY, ENHANCED EUROCARD	
CONTACTS:	△3 △4 △9 △10	MATERIAL	R. PATTERSON 8/9/94	SIZE	
		HOUSING:		D	00779
		CONTACTS:		CAGE CODE	C-148060
		FINISH		DRAWING NO	
				SCALE	4:1
				SHEET	1 OF 1

THIS DRAWING IS A CONTROLLED DOCUMENT FOR AMP INCORPORATED. IT IS SUBJECT TO CHANGE AND THE CONTROLLING ENGINEERING ORGANIZATION SHOULD BE CONTACTED FOR THE LATEST REVISION.