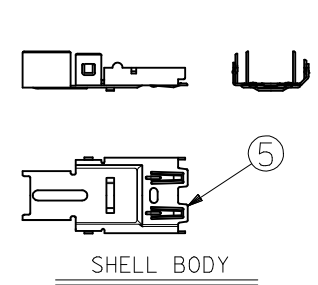
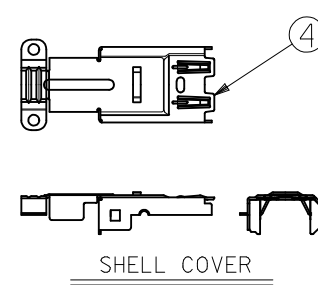
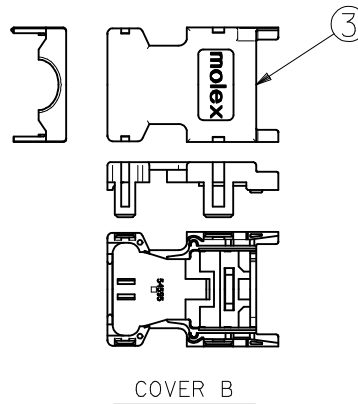
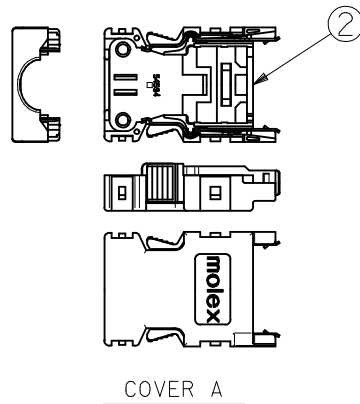
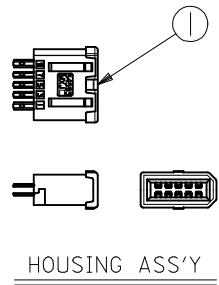
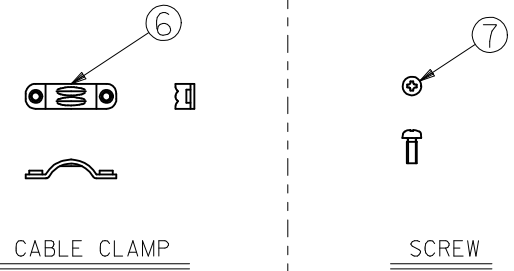


部品構成
PARTS CONSTRUCTION

部番 NO.	部品名 PART NAME	製品番号 ENG. NO.	個数 QUAN.	材質 MATERIAL
①	ハウジングアッセンブリ HOUSING ASS'Y	54593-1016	1	ハウジング：ポリアミド(PA)、ガラス充填、UL94V-0、黒 HOUSING : POLYAMIDE(PA), GLASS FILLED, UL94V-0, BLACK ターミナル：りん青銅 t0.3 TERMINAL : PHOSPHOR BRONZE t0.3 メッキ仕様 接点部：ニッケル下地金メッキ PLATING CONTACT AREA : GOLD OVER NICKEL 結線部：ニッケル下地錫メッキ WIRE TERMINATION AREA : TIN OVER NICKEL
②	カバーA COVER A	54594-1016	1	カバーA：ポリカーボネート(PC)、ガラス充填、UL94V-0、黒 COVER A : POLYCARBONATE(PC), GLASS FILLED, UL94V-0, BLACK スプリングラッチ：ステンレス鋼 t0.4 SPRING LATCH : STAINLESS STEEL t0.4
③	カバーB COVER B	54595-1006	1	ポリカーボネート(PC)、ガラス充填、UL94V-0、黒 POLYCARBONATE(PC), GLASS FILLED, UL94V-0, BLACK
④	シェル カバー SHELL COVER	58935-1028	1	りん青銅 t0.4 PHOSPHOR BRONZE t0.4
⑤	シェル ボディ SHELL BODY	58934-1028	1	メッキ仕様：ニッケル下地 錫メッキ PLATING : NICKEL BASE TIN PLATING
⑥	ケーブルクランプ CABLE CLAMP	58937-0000	1	ステンレス鋼 STAINLESS STEEL
⑦	十字穴付きなべ小ネジ CROSS RECESSED PAN HEAD MACHINE SCREW	58203-0010	2	鋼(ネジサイズ：M2X5) STEEL (SCREW SIZE : M2X5)

NOTES:

1. 対応ソケット：55445-1019
APPLECABLE SOCKET:55445-1019
2. 本製品は54599-1019の黒色カバー品になります。
THIS PRODUCT IS BLACK COVER OF 54599-1019.
3. ELV AND RoHS COMPLIANT.

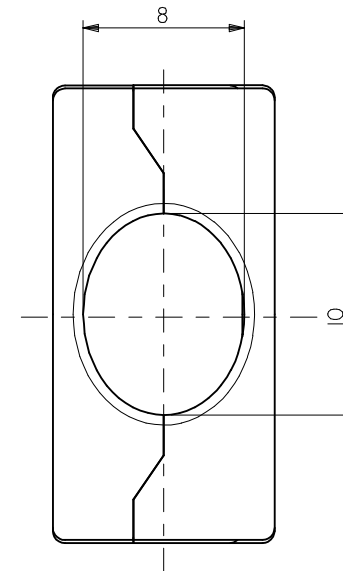
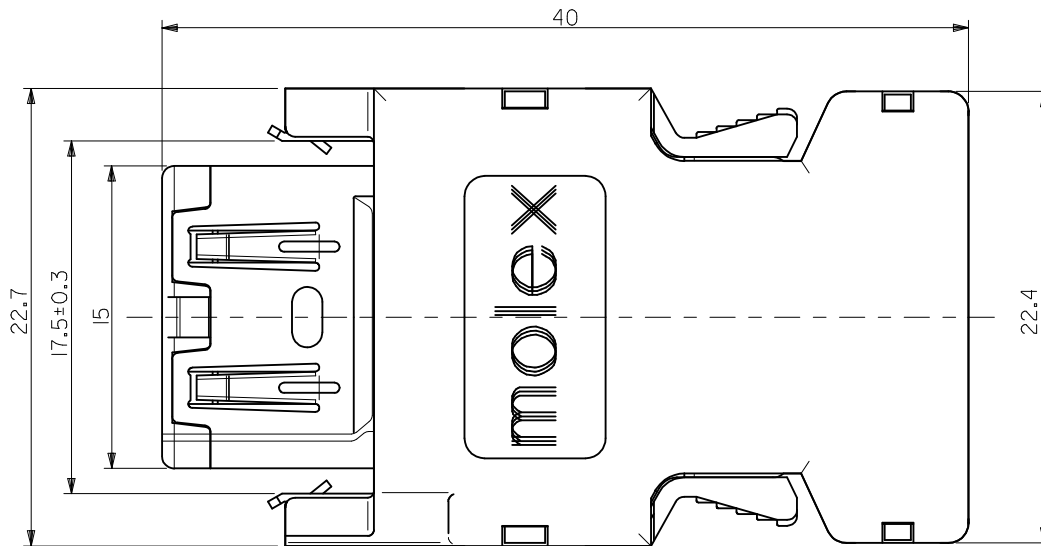
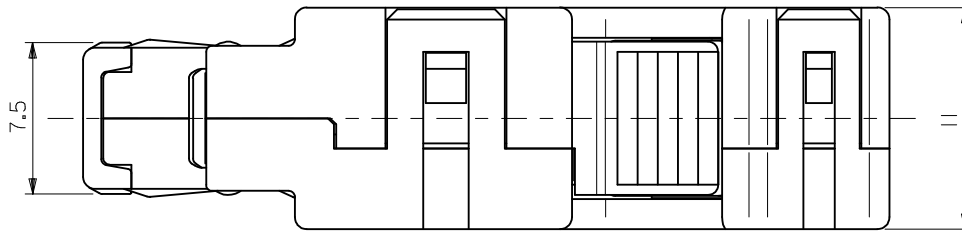


54599-1016
オーダー番号 ORDER No.

CONNECTOR SERIES No. 54599-101*

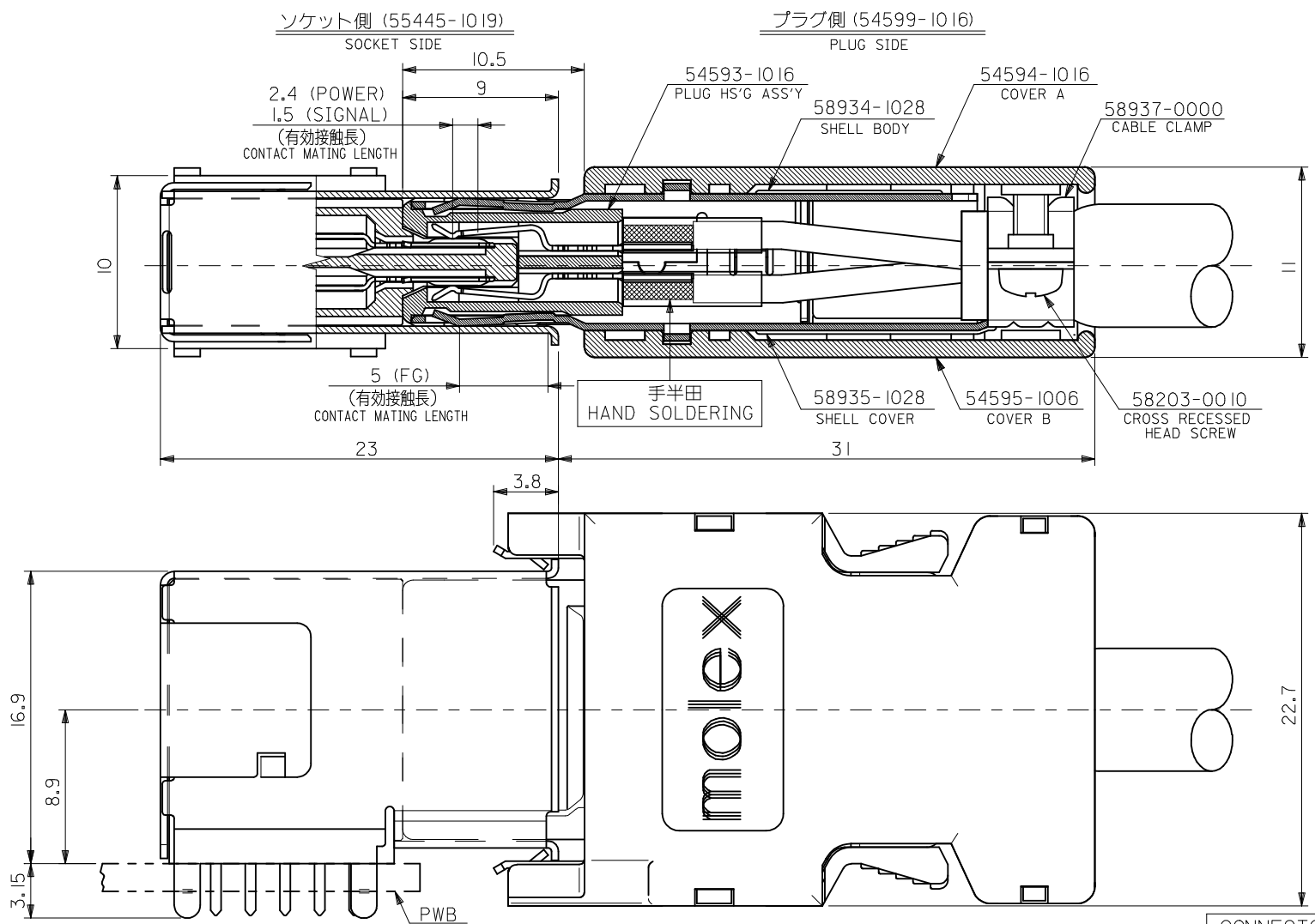
REVISED EC NO.: J2010-0554 DRWN:MHAYASHI 2009/09/18 CHKD:MHAYASHI 2009/09/18 APPR:NUKITA 2009/09/18 REV A	DESCRIPTION	GENERAL TOLERANCES (UNLESS SPECIFIED)	DIMENSION STYLE MM ONLY	SCALE ---	DESIGN UNITS METRIC	THIRD ANGLE PROJECTION
	10 UNDER	±0.2	DRAWN BY Y. AOYAGI	DATE 2009/01/30	TITLE 2.0 I/O CONN. HAND/S TYPE PLUG SET BLACK	
	10 OVER 30 UNDER	±0.25	CHECKED BY T. HARUYAMA	DATE 2009/01/30	MOLEX INCORPORATED	
	30 OVER	±0.3	APPROVED BY N. UKITA	DATE 2009/01/30	DOCUMENT NO. SD-54599-001	SHEET NO. 1 OF 3
	ANGULAR ±3 °	DRAFT WHERE APPLICABLE MUST REMAIN WITHIN DIMENSIONS	SIZE A3	THIS DRAWING CONTAINS INFORMATION THAT IS PROPRIETARY TO MOLEX INCORPORATED AND SHOULD NOT BE USED WITHOUT WRITTEN PERMISSION		

10 9 8 7 6 5 4 3 2 1



CONNECTOR SERIES No. 54599-101*

REVISED EC NO: J2010-0554 DRWN: HAYASHI 2009/09/18 CHKD: HAYASHI 2009/09/18 APPR: NUKITA 2009/09/18	GENERAL TOLERANCES (UNLESS SPECIFIED)		DIMENSION STYLE MM ONLY	SCALE ---	DESIGN UNITS METRIC	THIRD ANGLE PROJECTION	
	10 UNDER ±0.2	10 OVER 30 UNDER ±0.25	DRAWN BY Y. AOYAGI	DATE 2009/01/30	TITLE 2.0 I/O CONN. HAND/S TYPE PLUG SET BLACK		
	30 OVER ±0.3	ANGULAR ±3 °	CHECKED BY T. HARUYAMA	DATE 2009/01/30	MOLEX INCORPORATED		
	DRAFT WHERE APPLICABLE MUST REMAIN WITHIN DIMENSIONS		APPROVED BY N. UKITA	DATE 2009/01/30	MATERIAL NO. SEE SHEET 1	DOCUMENT NO. SD-54599-001	SHEET NO. 2 OF 3



CONNECTOR SERIES No. 54599-101*

REVISED EC NO: J2010-0554 DRWN:MHAYASHI 2009/09/18 CHKD:MHAYASHI 2009/09/18 APPR:NUKITA 2009/09/18	GENERAL TOLERANCES (UNLESS SPECIFIED)		DIMENSION STYLE MM ONLY		SCALE ---	DESIGN UNITS METRIC	THIRD ANGLE PROJECTION	
	10 UNDER	±0.2	DRAWN BY Y. AOYAGI	DATE 2009/01/30	TITLE 2.0 I/O CONN. HAND/S TYPE PLUG SET BLACK			
	10 OVER 30 UNDER	±0.25	CHECKED BY T. HARUYAMA	DATE 2009/01/30	MOLEX INCORPORATED			
	30 OVER	±0.3	APPROVED BY N. UKITA	DATE 2009/01/30	DOCUMENT NO. SD-54599-001		SHEET NO. 3 OF 3	
REV: A	DESCRIPTION ANGULAR ±3 ° DRAFT WHERE APPLICABLE MUST REMAIN WITHIN DIMENSIONS	MATERIAL NO. SEE SHEET 1		THIS DRAWING CONTAINS INFORMATION THAT IS PROPRIETARY TO MOLEX INCORPORATED AND SHOULD NOT BE USED WITHOUT WRITTEN PERMISSION				