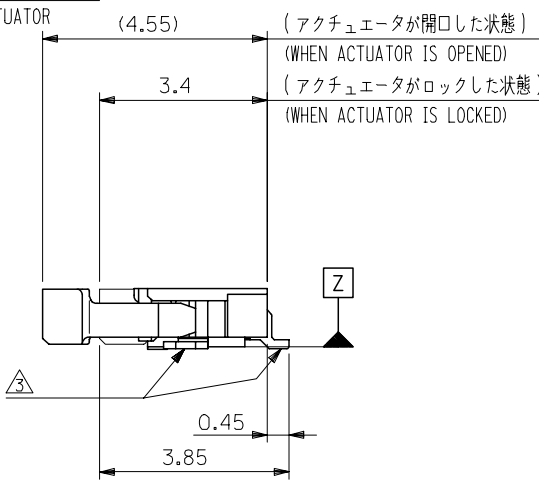
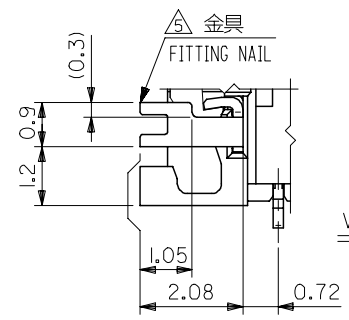
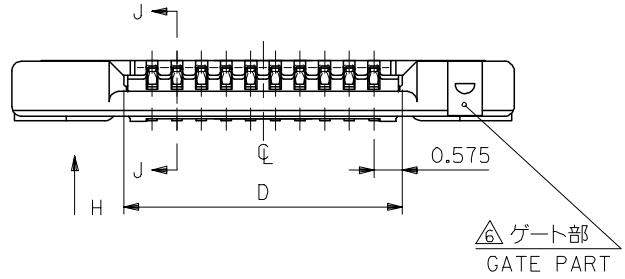


SECT. J-J  
SCALE 20:1

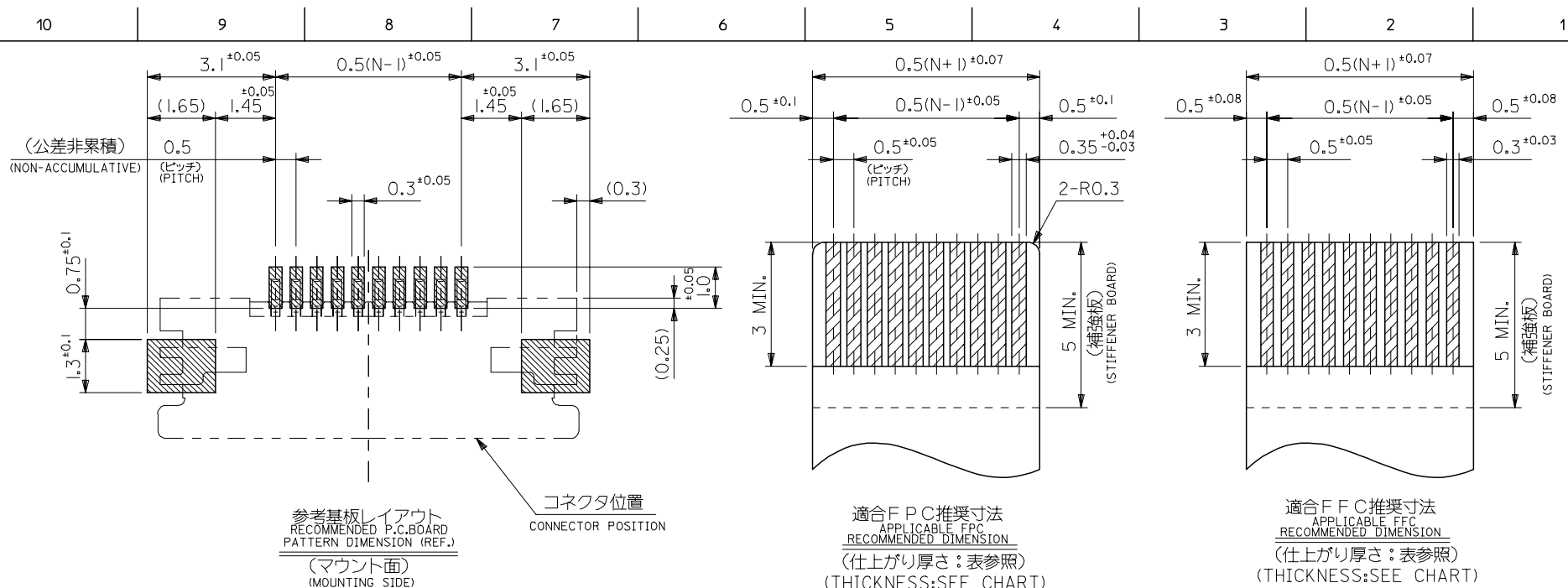


0.28 <sup>+0.03</sup>	13.65	17	12.5	18.2	54550-2617	26
	12.65	16	11.5	17.2	54550-2417	24
	11.65	15	10.5	16.2	54550-2217	22
	11.15	14.5	10	15.7	54550-2117	21
	10.65	14	9.5	15.2	54550-2017	20
	10.15	13.5	9	14.7	54550-1917	19
	9.65	13	8.5	14.2	54550-1817	18
	9.15	12.5	8	13.7	54550-1717	17
	8.65	12	7.5	13.2	54550-1617	16
	8.15	11.5	7	12.7	54550-1517	15
	7.65	11	6.5	12.2	54550-1417	14
0.3 <sup>+0.03</sup>	7.15	10.5	6	11.7	54550-1317	13
	6.65	10	5.5	11.2	54550-1217	12
	6.15	9.5	5	10.7	54550-1117	11
	5.65	9	4.5	10.2	54550-1017	10
	5.15	8.5	4	9.7	54550-0917	9
	4.65	8	3.5	9.2	54550-0817	8
	4.15	7.5	3	8.7	54550-0717	7
	3.65	7	2.5	8.2	54550-0617	6
	3.15	6.5	2	7.7	54550-0517	5
	THICKNESS OF FPC	D	C	B	A	製品番号 MATERIAL No.



VIEW H

REVISED EC NO: J2007-4760 DRWN: AOYAGI 2007/02/14 CHKD: TOYODA 2007/06/01 APPR: NUKITA 2007/06/06 M REV	GENERAL TOLERANCES (UNLESS SPECIFIED) 10 UNDER ±0.2 10 OVER 30 UNDER ±0.25 30 OVER ±0.3 ANGULAR ±3 ° DRAFT WHERE APPLICABLE MUST REMAIN WITHIN DIMENSIONS		DIMENSION STYLE MM ONLY DRAWN BY DATE M. FUJIKURA 1999/03/24 CHECKED BY DATE S. KUNISHI 1999/03/24 APPROVED BY DATE M. FUKUSHIMA 1999/03/24 MATERIAL NO. SEE CHART		SCALE 10:1	DESIGN UNITS METRIC	THIRD ANGLE PROJECTION
	TITLE 0.5 FPC CONN. ZIF HOUSING ASSY -LEAD FREE-						
	MOLEX MOLEX INCORPORATED					DOCUMENT NO. SD-54550-005	SHEET NO. 1 OF 2
	THIS DRAWING CONTAINS INFORMATION THAT IS PROPRIETARY TO MOLEX INCORPORATED AND SHOULD NOT BE USED WITHOUT WRITTEN PERMISSION						
	54550-**17 MODEL No.						



**注記 NOTES**

**1. 使用材料 MATERIAL**

ハウジング : LCP, UL94V-0  
HOUSING

アクチュエータ : PPS, UL94V-0  
ACTUATOR

ターミナル : リン青銅、錫メッキ (t=0.2)  
TERMINAL PHOS-BRO.TIN-PLATED

金具 : リン青銅、錫メッキ (t=0.2)  
FITTING NAIL PHOS-BRO.TIN-PLATED

2. エンボステープ梱包時は、アクチュエータがロックした状態とする。  
IN THE PACKAGE, ACTUATOR OF PART NO.54550-\*\*17 SHOULD BE LOCKED.

△ソルダータール半田付け面のスレ量、及び金具半田付け面のスレ量は、基準面 Z に対し上方向 OMAX、下方向 0.15MAX、とし相互のバラッキ量は0.1MAXとする。  
MISALIGNMENT OF SOLDER TAILS AND FITTING NAILS FROM Z UPPER DIRECTION: 0 MAX., LOWER DIRECTION: 0.15 MAX. OFFSET BETWEEN UPPER AND LOWER 0.1 MAX.

△偶数極に適用。  
APPLY FOR EVEN CIRCUIT.

△パターンはくり止め用金具  
FITTING NAIL FOR PREVENTION OF PEELING OF P.C.B. PATTERN.

△ゲート部は、左右どちらか一方にあるものとする。  
A GATE PART -- RIGHT AND LEFT -- IT SHALL BE IN EITHER.

7. N: 極数 N: CIRCUIT.

**FPC/FFC について:**

打ち抜き方向は導体側から補強板側を推奨します。  
導体部については軟銅箔35μmまたは50μmを推奨します。

**ABOUT FPC/FFC**

RECOMMENDED PUNCHER DIRECTION : FROM CONDUCTOR SIDE TO STIFFENER FILM SIDE.  
RECOMMENDED CONDUCTOR SPEC :  
THICKNESS OF SOFT COPPER FOIL : 35 MICROMETER OR 50 MICROMETER.

**FPC について:**

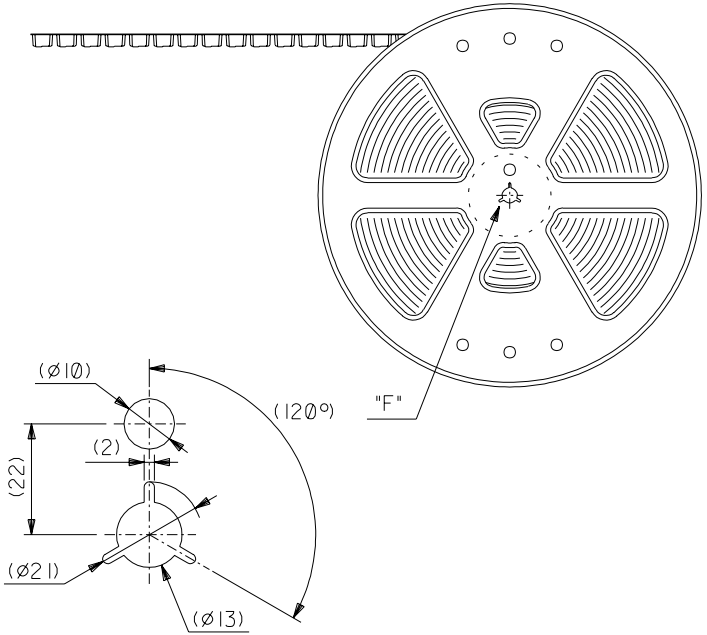
補強フィルム材質はポリイミドを推奨します。ベースフィルムは25μmを推奨します。  
接着剤は熱硬化接着剤を推奨します。  
尚、接着剤の接点部への付着は導通不良の原因になりますので、染み出しが無い様、お願い致します。

**ABOUT FPC**

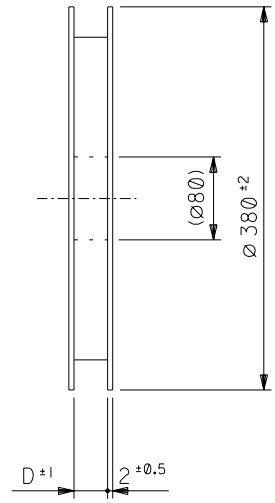
RECOMMENDED MATERIAL/THICKNESS.  
STIFFENER FILM : POLYIMIDE  
BASE FILM THICKNESS : 25μm  
BONDING AGENT : THERMOSETTING BONDING AGENT  
PLEASE PUT APPROPRIATE AMOUNT OF ADHESIVE ON THE CONTACT AREA BECAUSE THE EXTRA ADHESIVE MAY CAUSE THE DEFECT IN ELECTRICAL CONTINUITY.

REVISED		EC NO: J2007-4760		2007/02/14		2007/06/01		2007/06/06		54550-**17		MODEL No.	
DRWN: A0YAGI		CHKD: TOYODA		APPR: NUKITA		GENERAL TOLERANCES (UNLESS SPECIFIED)		DIMENSION STYLE		SCALE		DESIGN UNIT'S	
10 UNDER		± 0.2		MM ONLY		DRAWN BY		DATE		TITLE		THIRD ANGLE PROJECTION	
10 OVER 30 UNDER		± 0.25		M. FUJIKURA		1999/03/24		S. KUNISHI		1999/03/24		0.5 FPC CONN. ZIF HOUSING ASSY -LEAD FREE-	
30 OVER		± 0.3		M. FUKUSHIMA		1999/03/24		APPROVED BY		DATE		MOLEX INCORPORATED	
ANGULAR		± 3 °		DRAFT WHERE APPLICABLE MUST REMAIN WITHIN DIMENSIONS		SEE SHEET 1		SD-54550-005		2 OF 2		SHEET NO.	
M		REV		DESCRIPTION		SIZE		A3		THIS DRAWING CONTAINS INFORMATION THAT IS PROPRIETARY TO MOLEX INCORPORATED AND SHOULD NOT BE USED WITHOUT WRITTEN PERMISSION		DOCUMENT NO.	

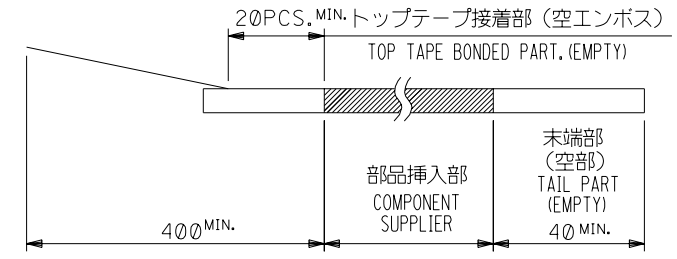
引き出し方向  
PULL OUT



DETAIL "F"



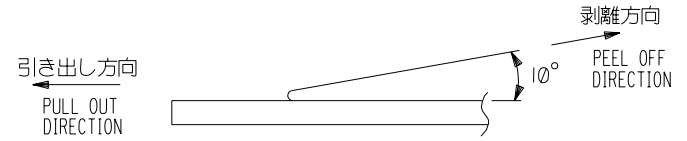
引き出し方向  
PULL OUT DIRECTION



NOTES

- 製品詳細寸法については図面 54550-\*\*17 を参照下さい。  
RE DETAILED DIMENSION, SEE 54550-\*\*17
- 梱包数量：3000個/リール  
NUMBER OF CONNECTORS：3000PCS/REEL
- リードテープ長さ LEAD TAPE LENGTH

- トップテープの剥離強度：0.1N ~ 0.7N(10.2gf ~ 71.4gf)  
(剥離方向は下図参照)  
尚、本規格値は出荷時に適用。(但し、輸送時に剥離が発生しないこと。)  
PEELING OFF FORCE OF TOP TAPE：0.1N ~ 0.7N(10.2gf ~ 71.4gf)  
(PEELING DIRECTION AS SHOWN IN FOLLOWING FIG.)  
THIS REQUIREMENT SHOULD BE APPLIED AT SHIPMENT.  
PEEL OFF SHOULD NOT BE ALLOWED, DURING TRANSPORTATION.



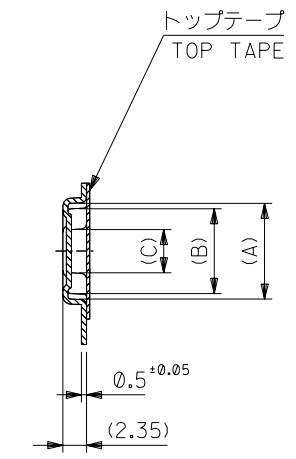
- 材料(MATERIAL)  
キャリアテープ(CARRIER TAPE)：ポリプロピレン(POLYPROPYLENE)  
トップテープ(TOP TAPE)：PET, PE, PEF  
リール(REEL)：ポリスチレン(PS) <リサイクル材を含む>  
POLYSTYREN(PS) <RECYCLE MATERIAL CONTAINED>

EC NO. DRWN: CH'K: APPR:	EC NO. DRWN: CH'K: APPR:	REVISED EC NO. J2004-0609 DRWN: R.SUMIYA 03/09/17 CH'K: T.ITO 03/09/17 APPR: I.YAMAGUCHI 03/09/17	REVISED EC NO. J2003-2548 DRWN: M.FUJIKURA 03/04/03 CH'K: K.KASAKAWA 03/04/04 APPR: I.YAMAGUCHI 03/04/04	REVISED EC NO. J2002-2828 DRWN: T.HANYU 02/5/15 CH'K: M.SASAO 02/5/15 APPR: M.SASAO 02/5/15	MATERIAL 材料 注記参照 SEE NOTES	GENERAL TOLERANCES: (UNLESS SPECIFIED) 一般公差
					FINISH 仕上げ //	10 UNDER 未満 ±0.2
					WIRE RANGE 適用層線範囲 //	10 OVER 30 UNDER 未満 ±0.25
					INS. RANGE 被覆外径 //	30 OVER 以上 ±0.3
						ANGLE 角度 ±3°

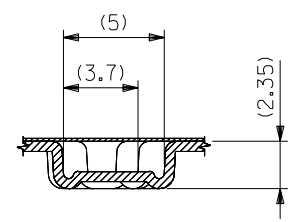
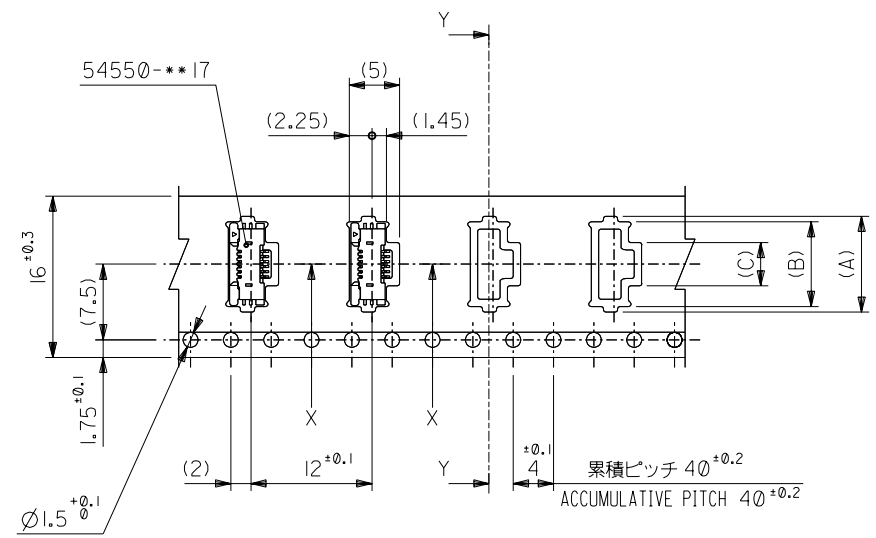
54550-**90		MODEL No.	DIMENSIONS:		SHT	REV
SCALE —#	DESIGN UNITS <input checked="" type="checkbox"/> mm <input type="checkbox"/> INCH	<input checked="" type="checkbox"/> THIRD ANGLE <input type="checkbox"/> PROJECTION	<input type="checkbox"/> mm <input type="checkbox"/> INCH	<input type="checkbox"/> mm <input type="checkbox"/> ONLY		REVISE ON CAD ONLY
DRAWN BY & DATE M.FUJIKURA '99/03/24		TITLE: 0.5 FPC Conn ZIF Hsg Assy SMT RA Upper Contact Embstp Pkg				
CHECKED BY & DATE S.KUNISHI '99/03/24		MOLEX INCORPORATED				
APPROVED BY & DATE M.FUKUSHIMA '99/03/24		MATERIAL NO.	DRAWING NO.	SHEET NO.		
CAD FILENAME SD-54550-006.S01		SEE CHART	SD-54550-006	1 OF 4		
THIS DRAWING CONTAINS INFORMATION THAT IS PROPRIETARY TO MOLEX INCORPORATED AND SHOULD NOT BE USED WITHOUT WRITTEN PERMISSION.						
					SIZE B	

DWG. NO.  
SD-54550-006

引き出し方向  
PULL OUT DIRECTION



SECT. Y-Y



SECT. X-X

16mm幅キャリアテープ  
16mm WIDTH CARRIER TAPE

16	17.5	4.3	8.4	9.5	54550-0690	6
		3.8	7.9	9	54550-0590	5
キャリアテープ幅 CARRIER TAPE WIDTH	D	(C)	(B)	(A)	製品番号 MATERIAL No.	種数 Ck+

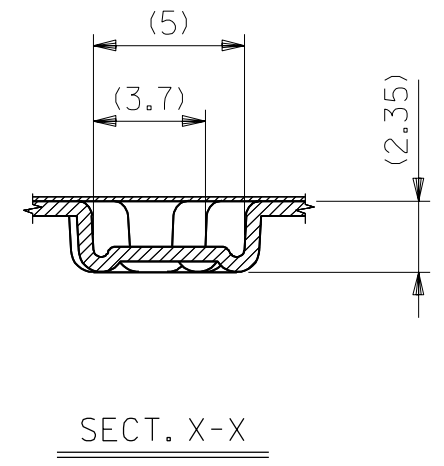
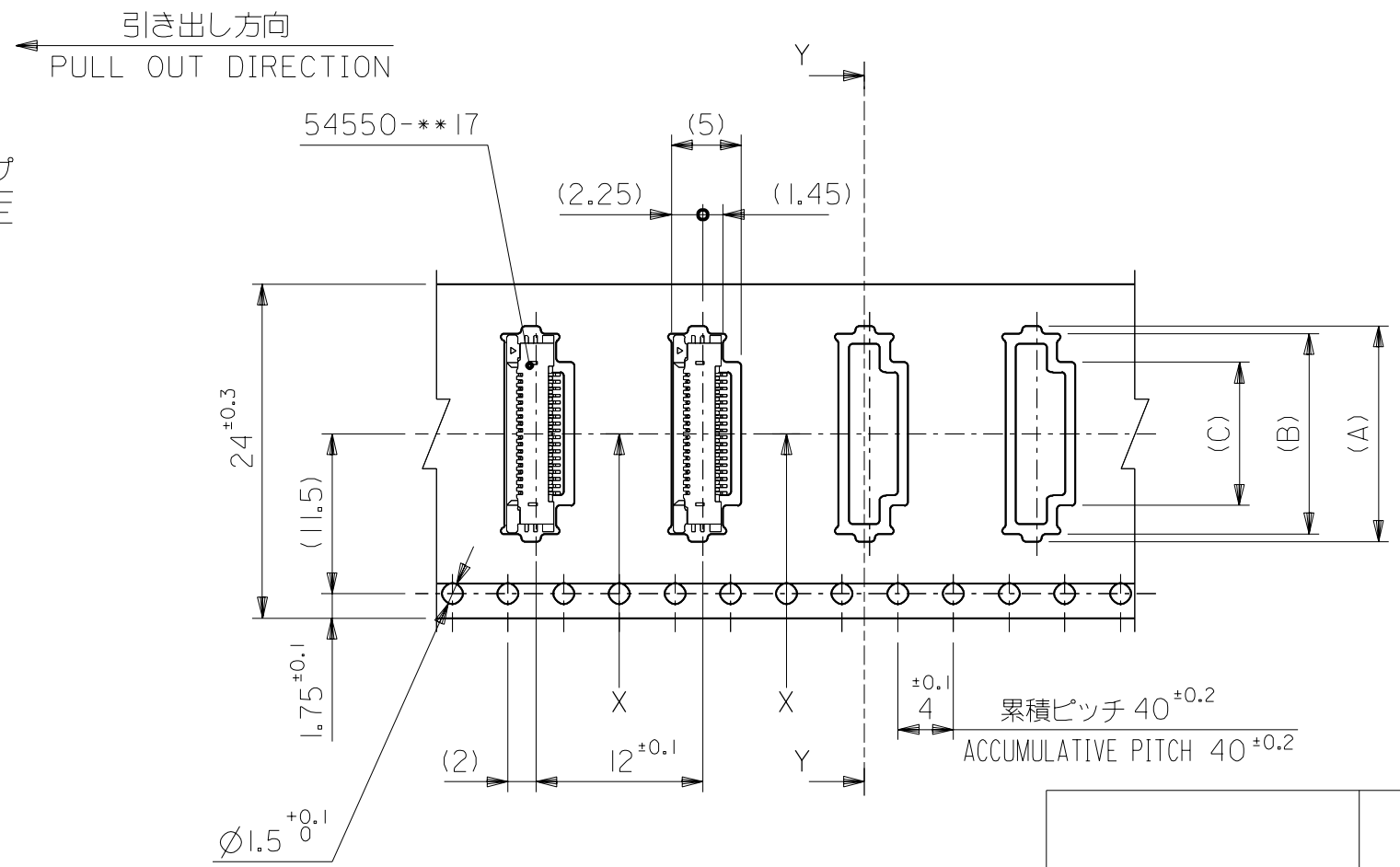
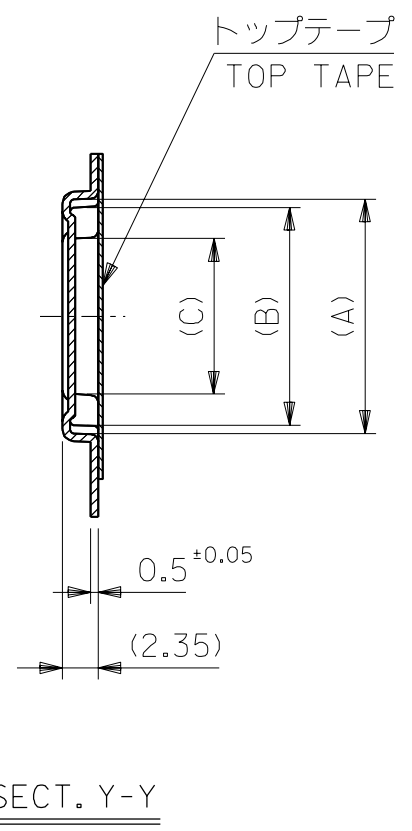
DO NOT SCALE DRAWING

EC NO. DRWN: CHK: APPR:	EC NO. DRWN: CHK: APPR:	EC NO. DRWN: CHK: APPR:	EC NO. DRWN: CHK: APPR:	EC NO. DRWN: CHK: APPR:	EC NO. DRWN: CHK: APPR:	DESCRIPTION	MATERIAL 材料	GENERAL TOLERANCES: (UNLESS SPECIFIED) 一般公差	SCALE —#	DESIGN UNITS <input checked="" type="checkbox"/> mm <input type="checkbox"/> INCH	MODEL No.	DIMENSIONS: <input type="checkbox"/> mm <input type="checkbox"/> INCH <input checked="" type="checkbox"/> mm ONLY	SHT REVISE ON CAD ONLY	REV
						SEE SHEET 1 OF 4	SHEET 1 OF 4 参照 REFER TO SHEET 1 OF 4	10 UNDER 未満	±0.2	DRAWN BY & DATE M.FUJIKURA '99/03/24	TITLE: 0.5 FPC Conn ZIF Hsg Assy SMT RA Upper Contact Embstp Pkg			
						FINISH 仕上げ	//	10 OVER 30 UNDER 以上 未満	±0.25	CHECKED BY & DATE S.KUNISHI '99/03/24				
						WIRE RANGE 適用線径範囲	//	30 OVER 以上	±0.3	APPROVED BY & DATE M.FUKUSHIMA '99/03/24	MOLEX INCORPORATED			
						INS. RANGE 被覆外径	//	ANGLE 角度	±3°	CAD FILENAME SD-54550-006.S02	MATERIAL NO. SEE CHART	DRAWING NO. SD-54550-006	SHEET NO. 2 OF 4	SIZE B

THIS DRAWING CONTAINS INFORMATION THAT IS PROPRIETARY TO MOLEX INCORPORATED AND SHOULD NOT BE USED WITHOUT WRITTEN PERMISSION.

SD-54550-006.S02

DWG. NO.  
SD-54550-006



24mm幅キャリアテープ  
24mm WIDTH CARRIER TAPE

累積ピッチ 40±0.2  
ACCUMULATIVE PITCH 40±0.2

24	25.5	12.3	16.4	17.5	54550-2290	22	
		11.8	15.9	17	54550-2190	21	
		11.3	15.4	16.5	54550-2090	20	
		10.8	14.9	16	54550-1990	19	
		10.3	14.4	15.5	54550-1890	18	
		9.8	13.9	15	54550-1790	17	
		9.3	13.4	14.5	54550-1690	16	
		8.8	12.9	14	54550-1590	15	
		8.3	12.4	13.5	54550-1490	14	
		7.8	11.9	13	54550-1390	13	
		7.3	11.4	12.5	54550-1290	12	
		6.8	10.9	12	54550-1190	11	
		6.3	10.4	11.5	54550-1090	10	
		5.8	9.9	11	54550-0990	9	
		5.3	9.4	10.5	54550-0890	8	
4.8	8.9	10	54550-0790	7			
キャリアテープ幅 CARRIER TAPE WIDTH		D	(C)	(B)	(A)	製品番号 MATERIAL No.	極数 Ck+

DO NOT SCALE DRAWING

EC NO. DRWN: CHK: APPR:	EC NO. DRWN: CHK: APPR:	EC NO. DRWN: CHK: APPR:	EC NO. DRWN: CHK: APPR:	SEE SHEET 1 OF 4	DESCRIPTION
		M	L	K	MATERIAL 材料
					FINISH 仕上げ
					WIRE RANGE 適用電線範囲
					INS. RANGE 被覆外径

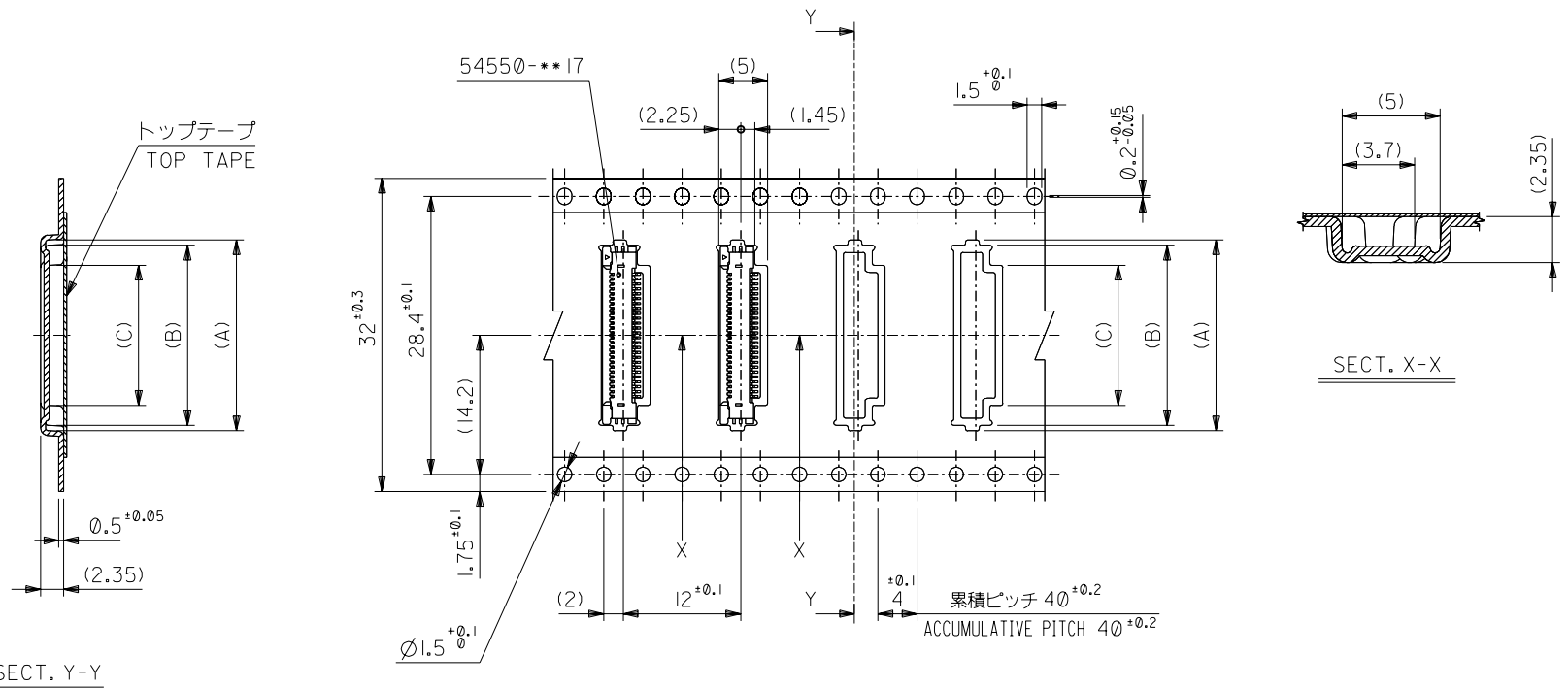
SHEET 1 OF 4 参照 REFER TO SHEET 1 OF 4		GENERAL TOLERANCES: (UNLESS SPECIFIED) 一般公差	SCALE —#—	DESIGN UNITS <input checked="" type="checkbox"/> mm <input type="checkbox"/> INCH	MODEL No.	DIMENSIONS: <input type="checkbox"/> mm <input type="checkbox"/> INCH <input checked="" type="checkbox"/> mm ONLY	SHT	REV
10 UNDER 未満	±0.2	10 OVER 以上	30 UNDER 未満	±0.25	30 OVER 以上	±0.3		
ANGLE 角度		±3°		DRAWN BY & DATE M.FUJIKURA '99/03/24		TITLE: 0.5 FPC Conn ZIF Hsg Assy SMT RA Upper Contact Embstp Pkg		
		APPROVED BY & DATE M.FUKUSHIMA '99/03/24		MATERIAL NO. SEE CHART		DRAWING NO. SD-54550-006		
		CAD FILENAME SD-54550-006.S03		SHEET NO. 3 OF 4		SIZE B		

54550-\*\*90  
MATERIAL NO. SEE CHART  
DRAWING NO. SD-54550-006  
SHEET NO. 3 OF 4  
THIS DRAWING CONTAINS INFORMATION THAT IS PROPRIETARY TO MOLEX INCORPORATED AND SHOULD NOT BE USED WITHOUT WRITTEN PERMISSION.

SD-54550-006.003

DWG. NO.  
SD-54550-006

引き出し方向  
PULL OUT DIRECTION



32mm幅キャリアテープ  
32mm WIDTH CARRIER TAPE

32	33.5	14.3	18.4	19.5	54550-2690	26
		13.3	17.4	18.5	54550-2490	24
キャリアテープ幅 CARRIER TAPE WIDTH	D	(C)	(B)	(A)	製品番号 MATERIAL No.	種数 Ck+

DO NOT SCALE DRAWING

EC NO. DRAWN: CHK: APPR:	EC NO. DRAWN: CHK: APPR:	EC NO. DRAWN: CHK: APPR:	EC NO. DRAWN: CHK: APPR:	SEE SHEET 1 OF 4	DESCRIPTION MATERIAL 材料 SHEET 1 OF 4 参照 REFER TO SHEET 1 OF 4 FINISH 仕上げ // WIRE RANGE 適用 被覆範囲 // INS. RANGE 被覆 外径 //
M	L	K			

GENERAL TOLERANCES: (UNLESS SPECIFIED) 一般公差	
10 UNDER 未満	±0.2
10 OVER 以上 30 UNDER 未満	±0.25
30 OVER 以上	±0.3
ANGLE 角度	±3°

SCALE 1:1	DESIGN UNITS mm	MODEL No. 54550-**-90	DIMENSIONS: mm	SHT 4	REV
DRAWN BY & DATE N.YANO '99/10/25		TITLE: 0.5 FPC Conn ZIF Hsg Assy SMT RA Upper Contact Embstp Pkg			
CHECKED BY & DATE S.KUNISHI '99/10/25		MOLEX MOLEX INCORPORATED			
APPROVED BY & DATE M.FUKUSHIMA '99/10/25					
CAD FILENAME SD-54550-006.S04		MATERIAL NO. SEE CHART		DRAWING NO. SD-54550-006	
				SHEET NO. 4 OF 4	
THIS DRAWING CONTAINS INFORMATION THAT IS PROPRIETARY TO MOLEX INCORPORATED AND SHOULD NOT BE USED WITHOUT WRITTEN PERMISSION.					SIZE B