

4

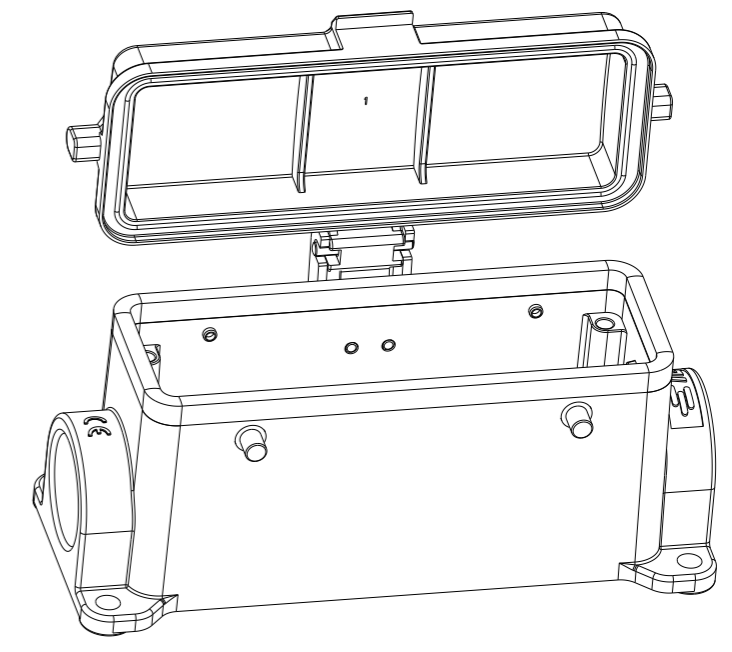
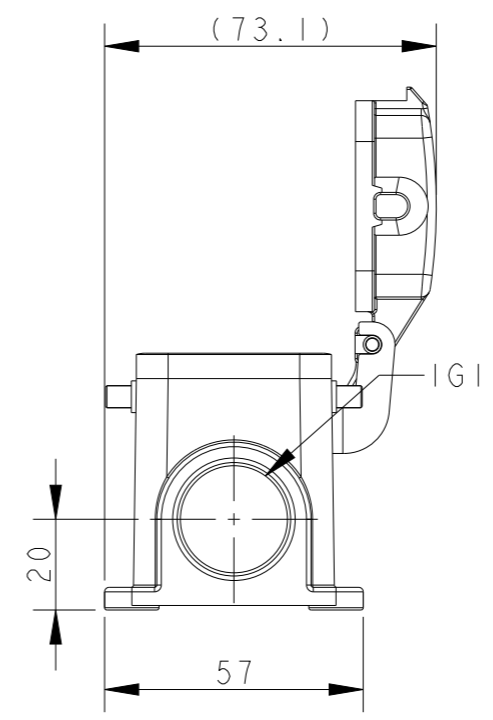
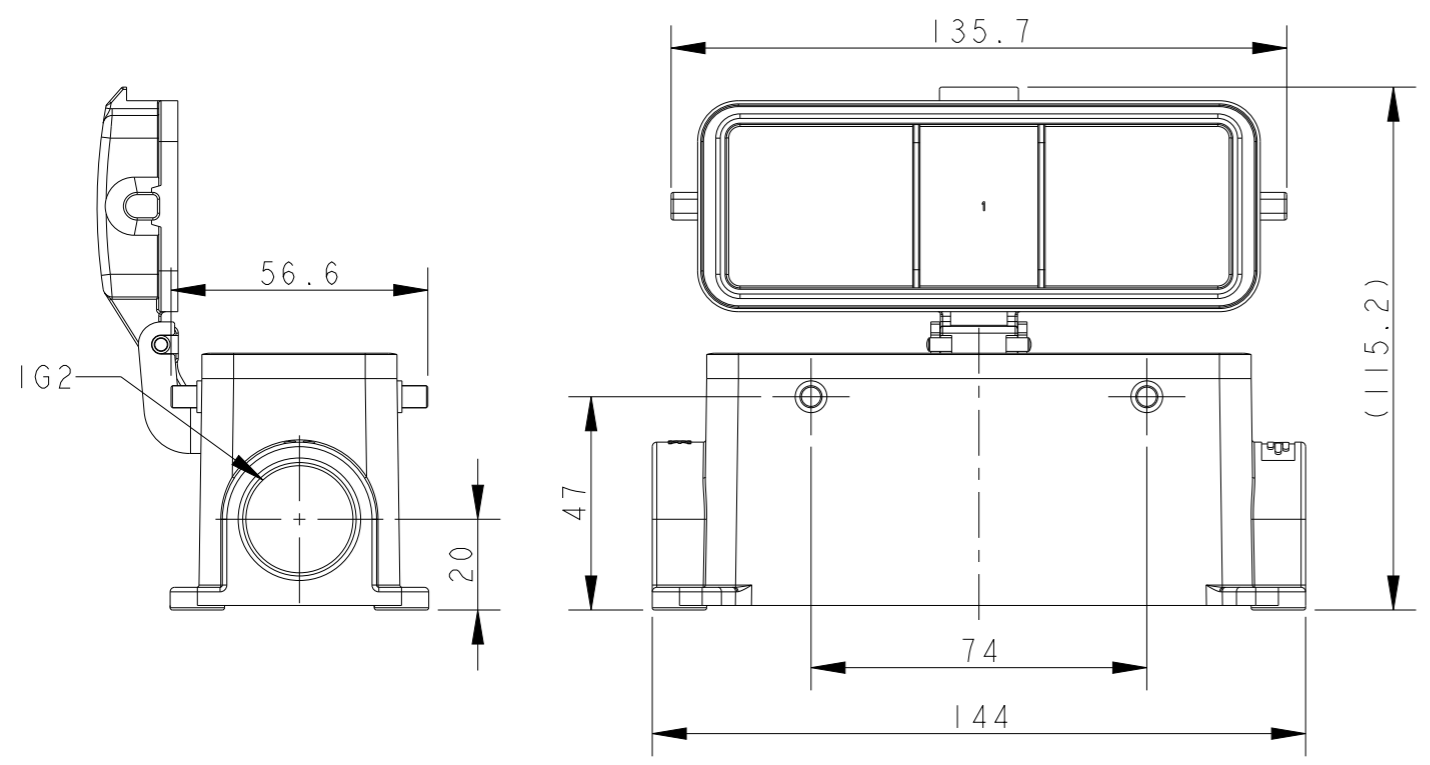
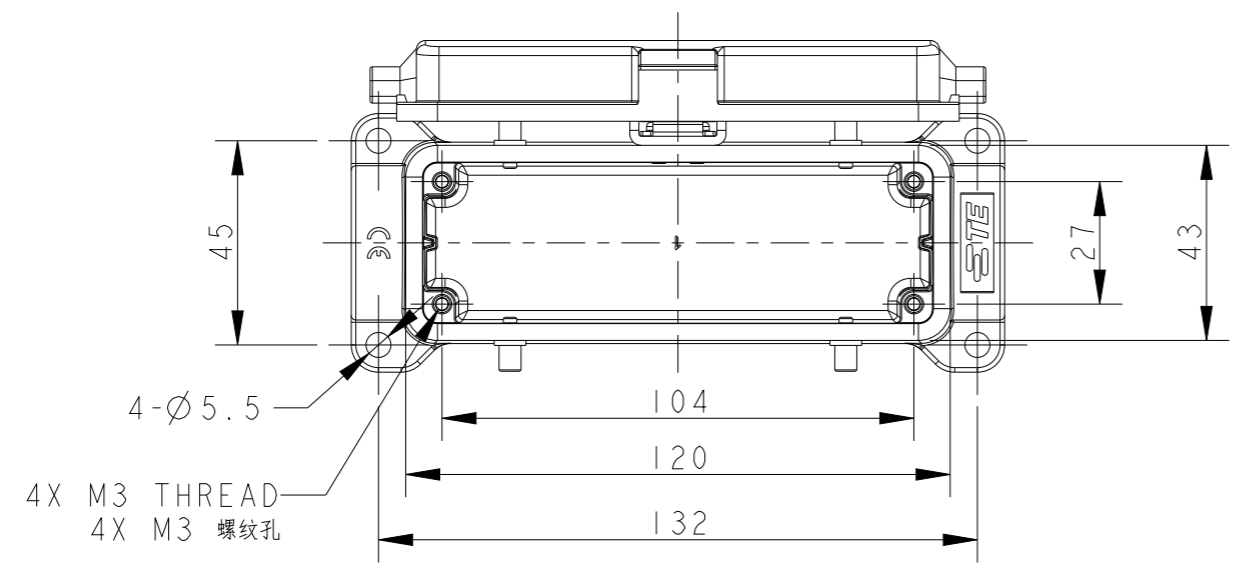
3

2

1

THIS DRAWING IS UNPUBLISHED. RELEASED FOR PUBLICATION 20
 © COPYRIGHT 20 BY - ALL RIGHTS RESERVED.

REVISIONS					
P	LTR	DESCRIPTION	DATE	DWN	APVD
A		INITIAL RELEASE	17JUN2015	DL	CW
B		ECR-20-014876	21JUL2021	WQR	CW



TYPE I: BODY + PLASTIC PROTECTITON COVER

T1460240121-000	TYPE I	H24B-SDR-BO-PG21	PG21	-
T1460240125-000		H24B-SDR-BO-M25	M25	-
T1460240221-000		H24B-SDR-BO-2PG21	PG21	PG21
T1460240225-000		H24B-SDR-BO-2M25	M25	M25
ASSEMBLY PART NUMBER	TYPE	ASSEMBLY PART DESCRIPTION	IG1	IG2

NOTES:
 1. TECHNICAL CHARACTERISTICS:
 BODY MATERIAL: DIE CAST ALUMINIUM ALLOY
 SURFACE TREATMENT: POWDER-COATED, GRAY
 DEGREE OF PROTECTION: IP65 (MATED)

注释:
 1. 技术参数:
 主体材料: 铝合金
 表面处理: 粉末喷涂, 灰色
 防护等级: IP65(配合)

THIS DRAWING IS A CONTROLLED DOCUMENT.		DWN 17JUN2015 DAVID LI	TE Connectivity NAME H24B-SDR-BO-PG/M													
DIMENSIONS: mm		CHK 17JUN2015 CHRIS WANG														
TOLERANCES UNLESS OTHERWISE SPECIFIED:		APVD 17JUN2015 XU XIANG														
<table border="0"> <tr> <td>0 PLC</td> <td>±-</td> </tr> <tr> <td>1 PLC</td> <td>±-</td> </tr> <tr> <td>2 PLC</td> <td>±-</td> </tr> <tr> <td>3 PLC</td> <td>±-</td> </tr> <tr> <td>4 PLC</td> <td>±-</td> </tr> <tr> <td>ANGLES</td> <td>±-</td> </tr> <tr> <td>FINISH</td> <td>±-</td> </tr> </table>		0 PLC				±-	1 PLC	±-	2 PLC	±-	3 PLC	±-	4 PLC	±-	ANGLES	±-
0 PLC	±-															
1 PLC	±-															
2 PLC	±-															
3 PLC	±-															
4 PLC	±-															
ANGLES	±-															
FINISH	±-															
MATERIAL	-	APPLICATION SPEC 114-137013	SIZE A3	CAGE CODE -	DRAWING NO. ©-T146024XXXX000	RESTRICTED TO										
CUSTOMER DRAWING			SCALE 3:5	SHEET 1 OF 2	REV B											

THIS DRAWING IS UNPUBLISHED.

RELEASED FOR PUBLICATION

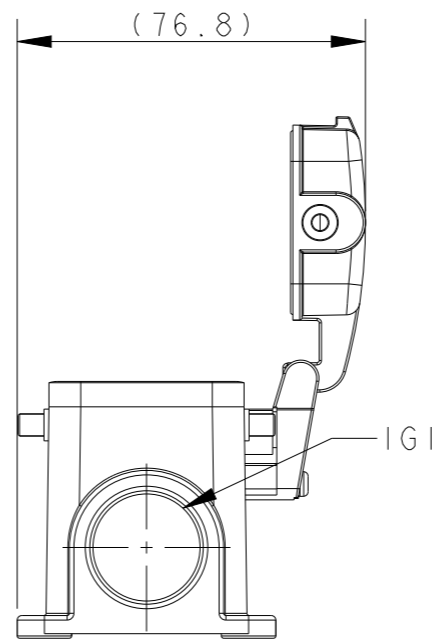
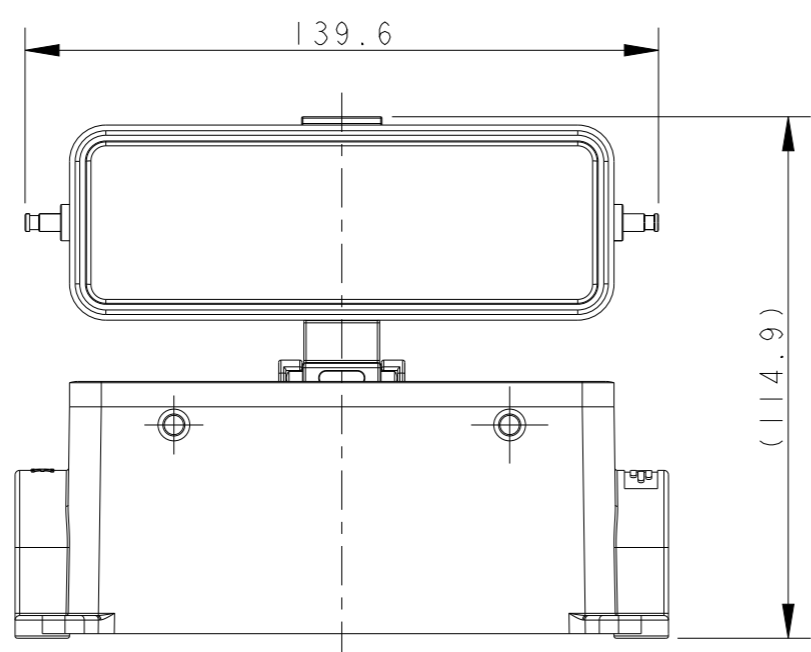
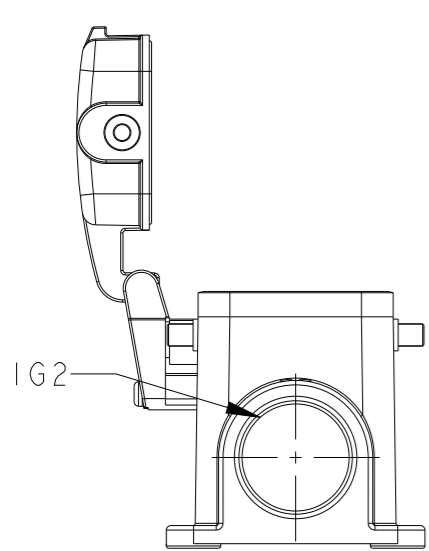
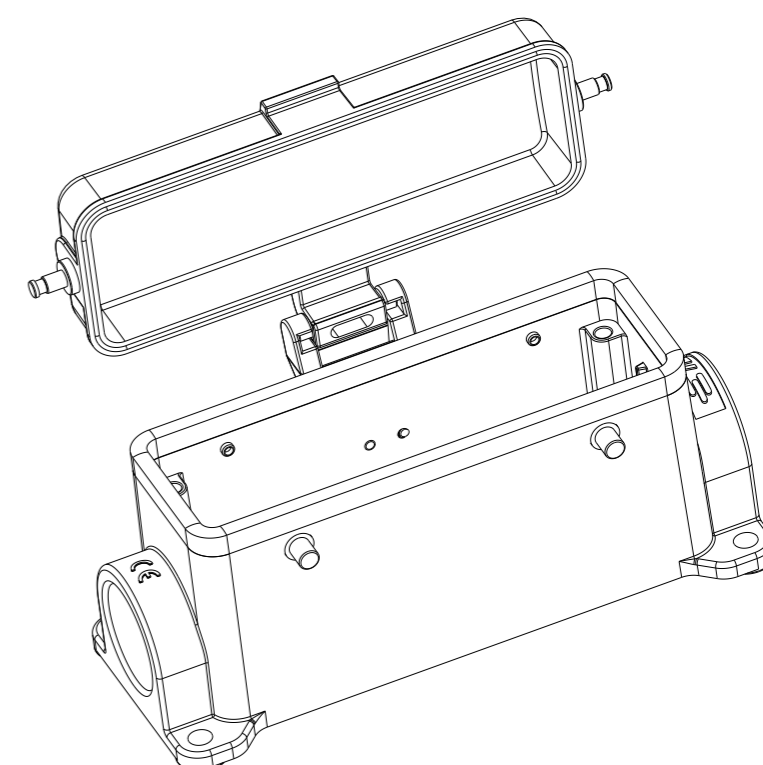
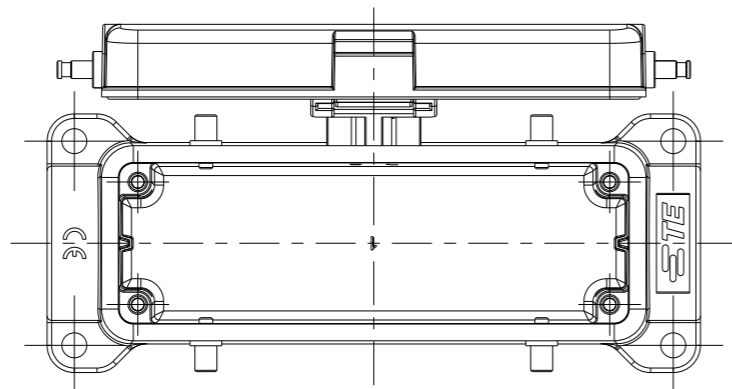
20

© COPYRIGHT 20 BY -

ALL RIGHTS RESERVED.

REVISIONS

P	LTR	DESCRIPTION	DATE	DWN	APVD
	-	SEE SHEET 1	-	-	-



TYPE 2: BODY + METAL PROTECITON COVER
 OTHER SPEC REFER TO TYPE 1

T1460241121-000	TYPE 2	H24B-SGRM-BO-PG21	PG21	-
T1460241125-000		H24B-SGRM-BO-M25	M25	-
T1460241221-000		H24B-SGRM-BO-2PG21	PG21	PG21
T1460241225-000		H24B-SGRM-BO-2M25	M25	M25
ASSEMBLY PART NUMBER	TYPE	ASSEMBLY PART DESCRIPTION	IG1	IG2

THIS DRAWING IS A CONTROLLED DOCUMENT.

DIMENSIONS:	TOLERANCES UNLESS OTHERWISE SPECIFIED:
mm	
	0 PLC ±-
	1 PLC ±-
	2 PLC ±-
	3 PLC ±-
	4 PLC ±-
	ANGLES ±-
MATERIAL	FINISH
-	-
-	-

DWN	DAVID LI	17JUN2015
CHK	CHRIS WANG	17JUN2015
APVD	XU XIANG	17JUN2015
PRODUCT SPEC	108-137013	
APPLICATION SPEC	114-137013	
WEIGHT	-	
CUSTOMER DRAWING		

TE Connectivity		NAME		H24B-SGRM-BO-PG/M	
		SIZE	CAGE CODE	DRAWING NO	RESTRICTED TO
A3	-	©-T146024XXXX000			
SCALE		3:5	SHEET	2 OF 2	REV
					B